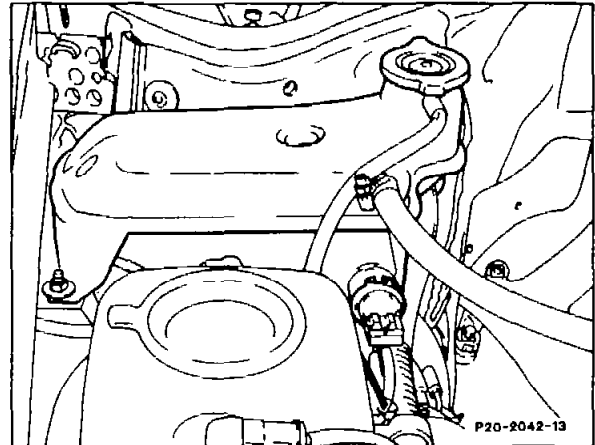


**Radiator and expansion tank**

These vehicles have an expansion tank which is fitted to the right wheelhouse.

Different radiators are installed depending on the vehicle equipment (with or without air conditioning).

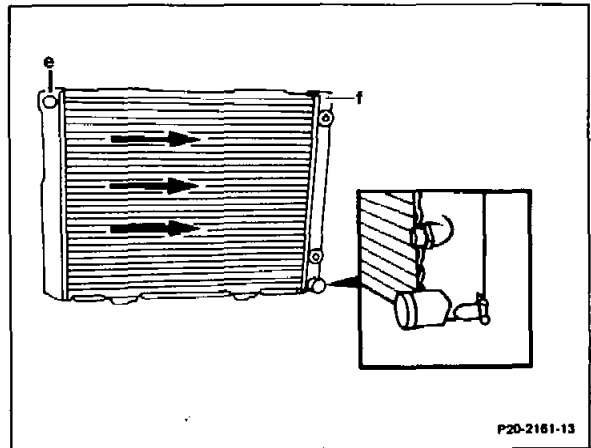
Since 07/92 a coolant expansion tank with a silica gel element for avoiding corrosion has been fitted to engines 602.91/96 and 603.91/96 (except in model 201). Fitted to model 202 as of start of production.



All vehicles, except models 126.125 and 126.135 (Turbo), have a light alloy crossflow radiator (cooling ribs arranged horizontally) with plastic water tanks on the left and right (e and f).

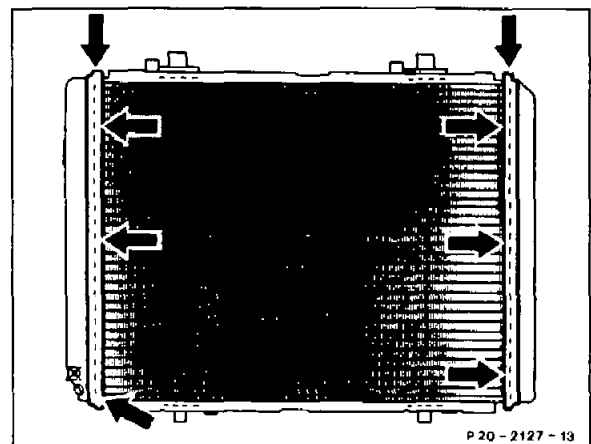
On these vehicles with automatic transmission, the transmission oil cooler is located in the righthand water tank (f), in models 126.125 and 126.135 in the bottom water tank.

Radiator for vehicles with automatic transmission and air conditioning



On model 201.128 the crossflow radiator with turbulence plates in the cooling pipes is installed below the radiator bridge. It is held in the radiator bridge at the top by two retaining lugs (arrows).

Starting 10/88 the turbulence plates in the radiator tubes are no longer fitted.



With engine 603.96 different radiators are installed depending on vehicle equipment.

Vehicles without air conditioning or automatic climate control: crossflow radiator without turbulence plates in the cooling tubes.

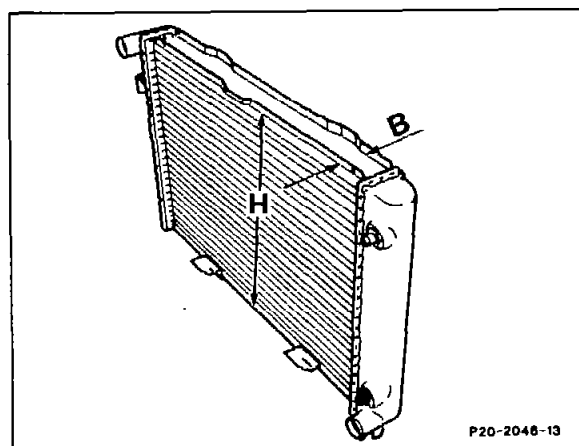
Vehicles with air conditioning or automatic climate control: crossflow radiator with turbulence plates in the cooling tubes.

On vehicles with air conditioning or automatic climate control, cruise control and trailer coupling, the transmission oil cooler in the water tank is not fitted (see Group 27 and 31).

The radiators for vehicles with and without air conditioning differ, apart from the transmission oil cooler and turbulence plates, in the following respects:

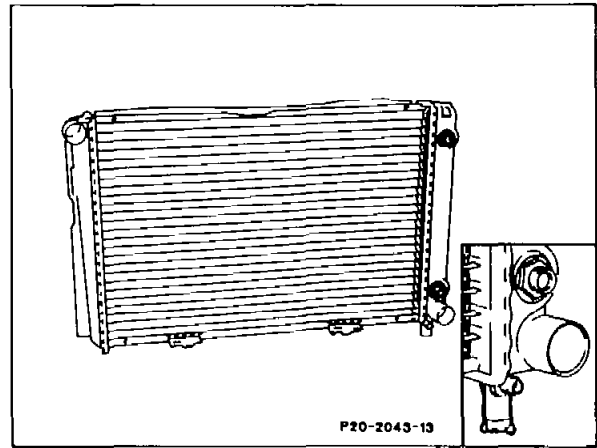
**Vehicles without air conditioning**

Mod.	Engine	Height (H)	Block depth (B)
124	601	372	34
	602	368	42
	603.91	488	42
	603.96	488	42
126	603.96	428	42
140	603.97	470	42
201	601	372	34
	602	488	42
202	601	432	34



Drain plug on engines 601 and 602 arranged vertically, on engine 603 arranged horizontally.

Radiator for vehicles with automatic transmission without air conditioning (except engine 603)



#### Vehicles with air conditioning

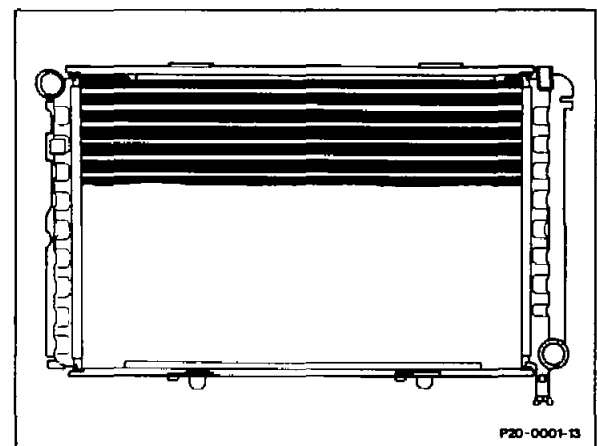
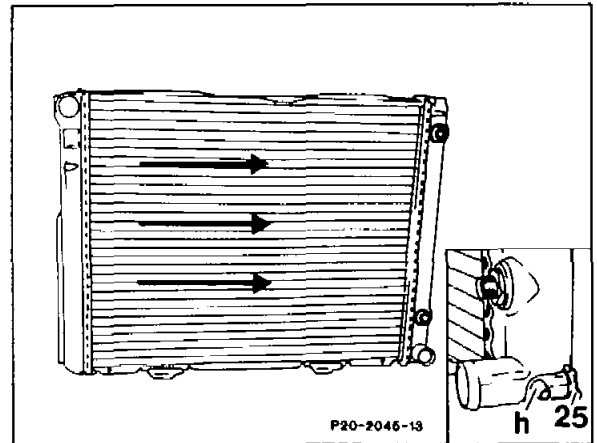
Mod.	Engine	Height (H)	Block depth (B)
124	601	488	42
	602	488	42
	603.91	488 <sup>1)</sup>	42
	603.96	488 <sup>1)</sup>	42
126	603.96	428 <sup>1)</sup>	42
140	603.97	470	42
201	601	447	34
	602	488	42
202	601	432	34

<sup>1)</sup> These radiators have turbulence plates in the radiator tubes.

The drain plug is accessible from the front through the flap in the front dam (detail enlargement).

Since 07/88 round tube crossflow radiators (make Sofica) are installed on Models 124.120 and 201.122.

The turbulence plates in the cooling tubes are no longer fitted with effect from 10/88 on model 201.128 with manual transmission.



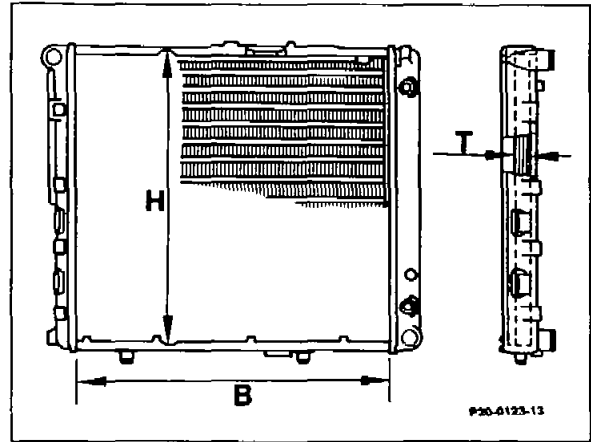
The bottom radiator position is installed as standard on models 124.125/185 effective 01/90. The round tube radiator has been modified in accordance with the altered installation conditions.

**Dimensions:**

Width (B) = 300 mm

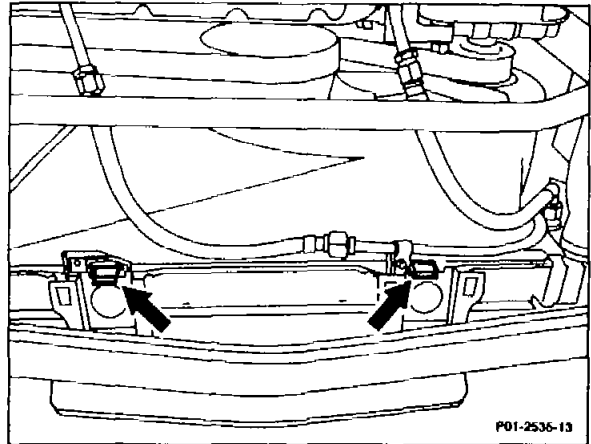
Height (H) = 495 mm

Depth (T) = 26 mm



**Fan cowl**

The fan cowls are fitted at the bottom into one or two retaining straps at the radiator (arrows) and attached at the top and side to the radiator with retaining clips.



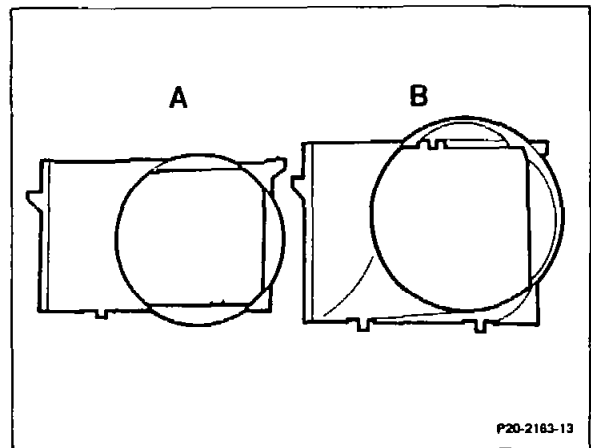
The mounting points at the body and the fan cowl version differ according to the various radiator designs.

**Version "A"**

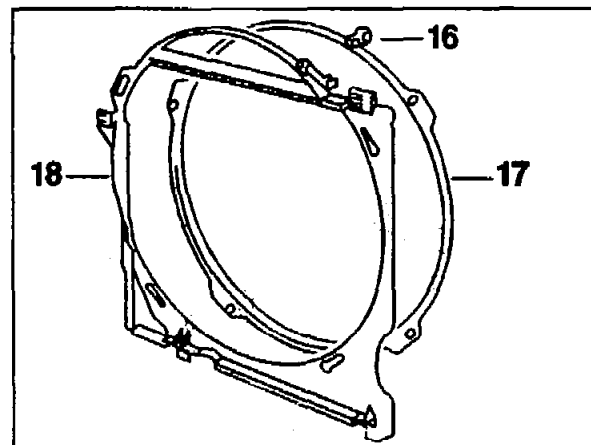
On vehicles without air conditioning (top radiator position).

**Version "B"**

On vehicles with air conditioning (bottom radiator position).

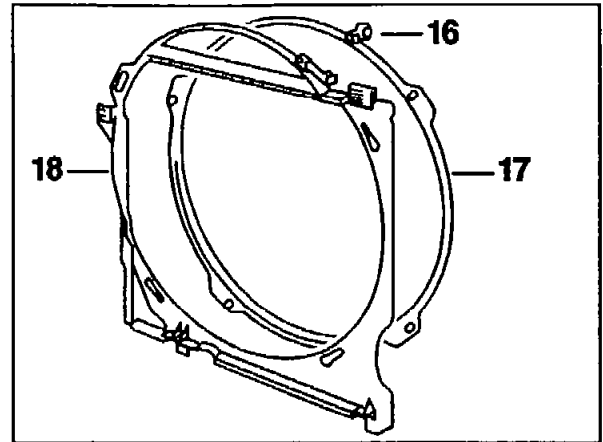


A two-stage fan cowl is fitted to model 201.126 since 11/86 and to model 201.128 (engine 601.961) since 12/87 to provide better access.



### Coolant hose/holder

The hose holder for the vent line has been modified as of 04/88.



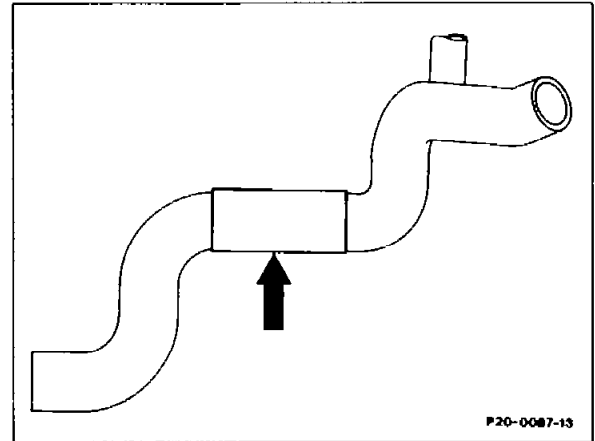
P20-5377-13

### Coolant hose

Shrink-fit hoses (arrows) have been fitted to the points of the bottom coolant hoses which are subject to chafing as of 04/88.

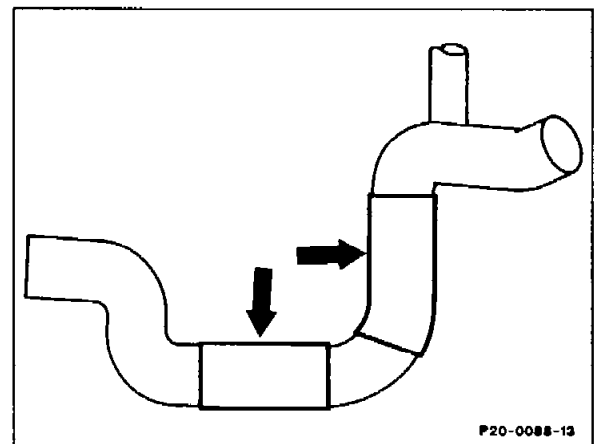
A. Top radiator position on vehicles with air conditioning or automatic climate control.

B. Bottom radiator position (since 05/90) on vehicles with air conditioner or automatic climate control and automatic transmission.



P20-0087-13

C. Top radiator position (since 03/90) on vehicles without air conditioner or automatic climate control.

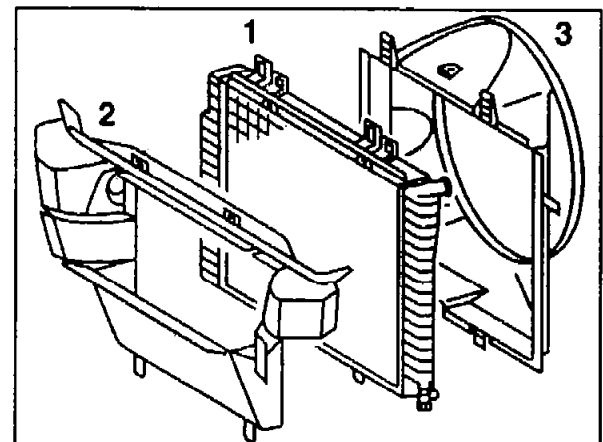


P20-0088-13

### Model 202 with engine 601

On this model an additional air guide panel (2) is installed in front of the radiator. It can be removed and installed together with the radiator (1).

- 1 Radiator
- 2 Front air guide panel
- 3 Fan cowl



P20-5375-13