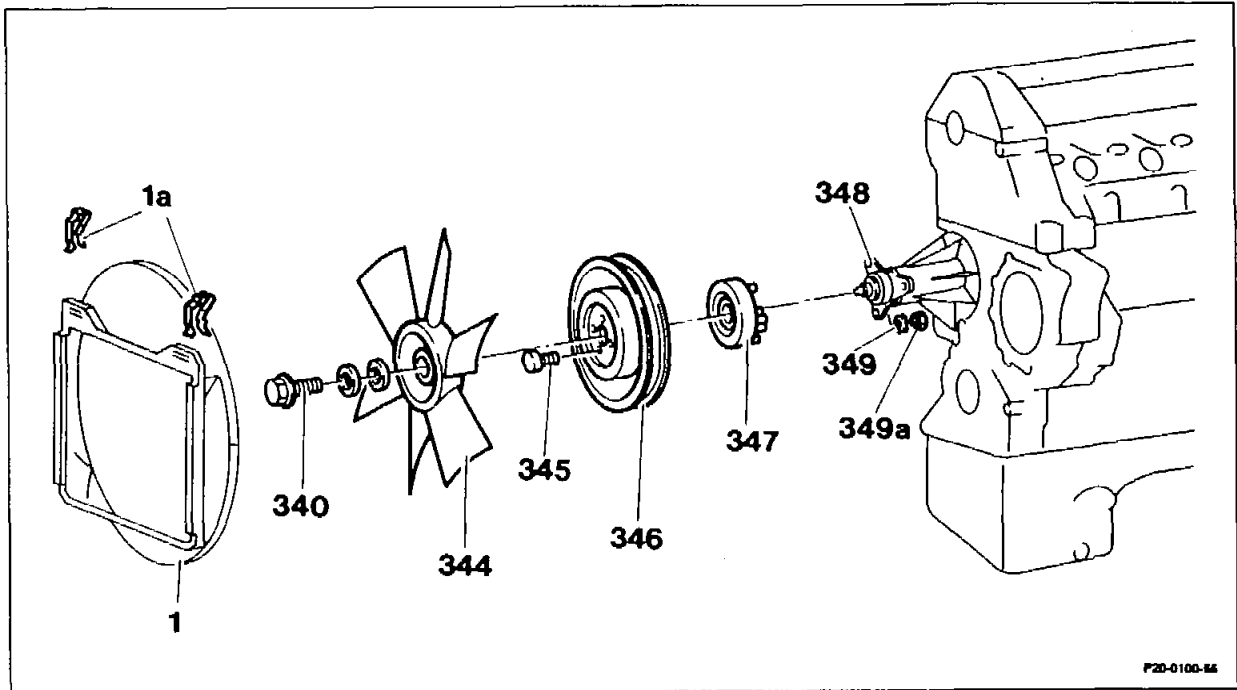


20-335 Removing and installing magnetic fan coupling

Preceding work:
Poly V-belt removed (13-342).

Operation no. of operation texts and operation values or standard
texts and flat rates 20-6602



Retaining clips (1a)	pull off, fit on.
Fan cowl (1)	detach, attach, place over fan.
Fan (344)	unscrew, screw on, 25 Nm.
Belt pulley (346)	unscrew, screw on, hexagon socket screw 10 Nm or torx screw 14 Nm.
Magnet body (347)	pull off cable connection, fit on, unscrew nuts (349a), screw on.
Magnet carrier (348)	do not pull off from coolant pump, check whether tight, secure with adhesive 001 989 45 20 10, if necessary.

Special tools

