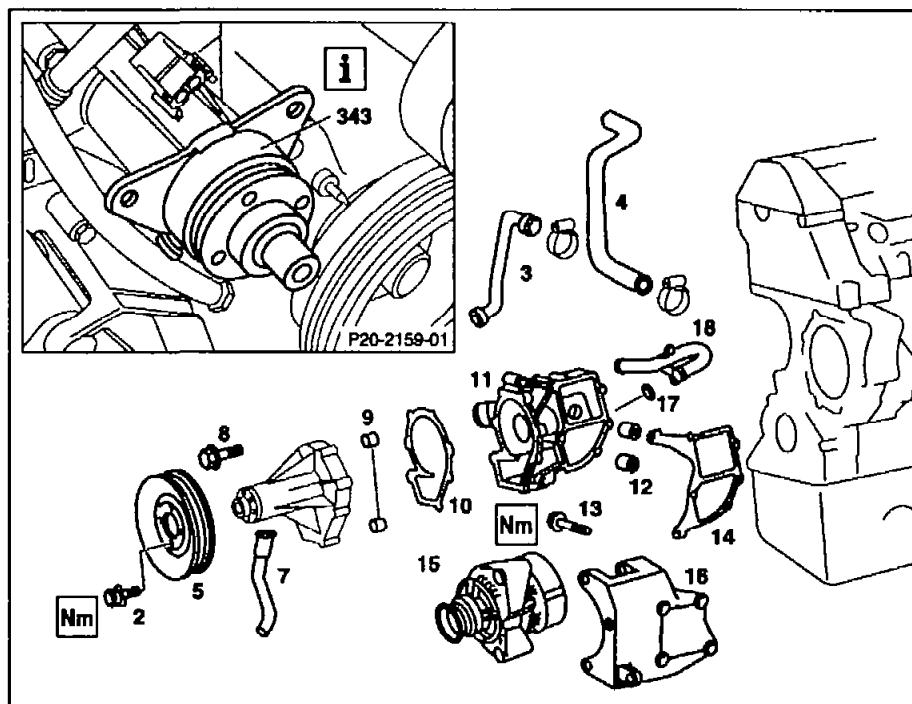


ENGINE 601 in MODEL 124, 201, 202

ENGINE 602 in MODEL 124, 201

ENGINE 603 in MODEL 124, 126, 140




P20.10-0272-06

## Modification notes

1.9.95	Coolant pump with increased volume flow	see step 15	AR20.10-P-1271AX
--------	---	-------------	------------------

	Removing, installing		
1	Drain coolant		20-010
2.1	Remove radiator	Model 201.126	AR20.20-P-3865HW AR20.20-P-3865HW
3	Remove poly V-belt		AR13.22-P-1202HW
4.1	Remove magnetic fan clutch	Engines with magnetic fan clutch	20-335
5.1	Remove viscous fan clutch	Engine 601 in model 202 Engine 601, 602 in model 124, 201 Engine 603 in model 124, 126, 140	AR20.40-P-5660HA AR20.40-P-5660HA AR20.40-P-5660HW AR20.40-P-5660HW
6	Disconnect ground cable at battery		AR54.10-P-0003A
7	Slacken bolt (2) of coolant pump belt pulley	 	BA20.10-P-1001-01A 603 589 00 40 00
8	Remove poly V-belt		AR13.22-P-1202HW
9	Unbolt belt pulley (5)	The magnet carrier (343) on engines with magnetic fan clutch must not be pulled off. Stick loose magnet carrier in place with adhesive.	BR00.45-Z-1012-02A

10	Detach coolant hose (3) and heating water hose (4) at coolant pump housing		
11	Remove generator (15)		
12	Remove generator carrier (16)	Nm	BA15.40-P-1005-01A
13	Remove coolant pump housing (11) together with coolant pump	<p><b>i</b> Detach coolant pump housing when taking off the heating return flow line (18).</p> <p><b>i</b> Installation: Moisten seal (17) with coolant, do not use oil.</p>	BA20.10-P-1003-01A
14	Replace gasket (14), clean sealing surfaces		
15	Unbolt coolant pump (6)	<p><b>i</b> As of 11/1995 a coolant pump with increased volume flow is fitted to engine 603.960/971. See ↓</p>	BA20.10-P-1002-01A
 BT		Coolant pump with increased volume flow	BT20.10-P-0001-01A
16	Replace gasket (10), clean sealing surfaces		
17	Install in the reverse order		
18	Inspect cooling system for leaks		AR20.00-P-1010HA AR20.00-P-1010HA

**Nm** Coolant pump, coolant thermostat

Number	Designation	Engine 601, 602 except 602.98, 603
BA20.10-P-1001-01A	Bolt of belt pulley to coolant pump	Nm 15
BA20.10-P-1002-01A	Bolt of coolant pump to coolant pump housing	Nm 10
BA20.10-P-1003-01A	Bolt of coolant pump housing to crankcase	Nm 10

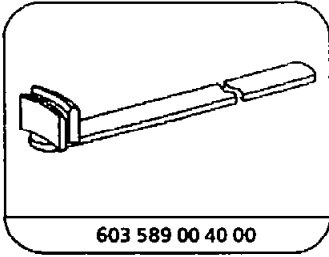
**Nm** Generator

Number	Designation	Engine 601	Engine 602 except 602.982	Engine 603
BA15.40-P-1005-01A	Bolt of generator carrier to crankcase	M8 Nm 25	25	25
		M10 Nm 45	45	45

Repair products

Number	Designation	Order number
BR00.45-Z-1012-02A	Loctite 648 adhesive compound	003 989 32 71





603 589 00 40 00

Counterholder

