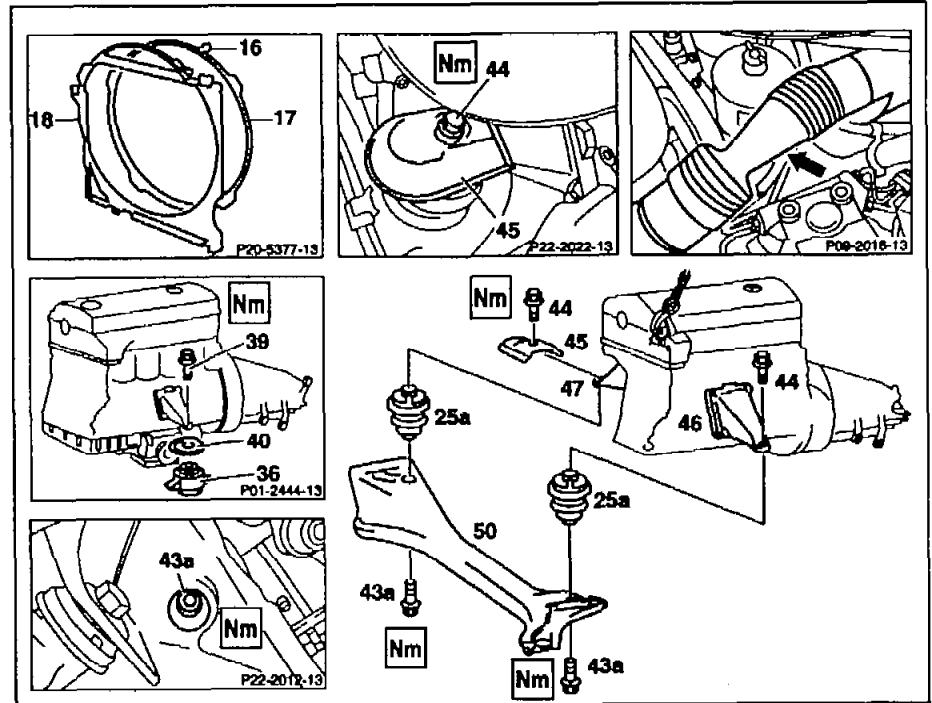


ENGINE 601
in MODEL 124,
201 as of 1.4.85
ENGINE 602 in MODEL 124, 201
ENGINE 603 in MODEL 124, 140



P22.10-0256-06

Fig. item, etc.	Work instructions		
Pfeil	Air intake hose		pull off
16, 17, 18	Fan shroud		detach, place over fan
25a, 36, 40, 45	Engine mount, shield	remove Nm Nm Nm Nm	BA22.10-P-1001-01J BA22.10-P-1004-01J BA22.10-P-1010-01J WH58.30-Z-1001-07A
6		<p>i 4MATIC: A shield is installed on both sides. Pay attention to different versions on left and right.</p> <p>i Pay attention to environmental regulations regarding disposal; dispose of engine mounts as mixed scrap.</p>	

 Engine mounts, engine brackets

Number	Designation		Engine 601, 602, 603 in model 124, 140, 201 with front hydraulic engine mount, except engine 603.913/963 (4 MATIC)	Engine 603.913/963 (4 MATIC) in model 124.2/3
8A22.10-P-1001-01J	Bolt of front engine mount to body/front axle carrier	Nm	25	25
8A22.10-P-1004-01J	Bolt of front engine bracket to engine mount	Nm	55	20
8A22.10-P-1010-01J	Bolt of front engine mount to engine bracket	Nm	-	55

Commercially available tools (see Workshop Equipment Manual)

Number	Designation	Make (e.g.)	Order number
WH58.30-Z-1001-07A	Engine hoist (self-locking)	Bäcker Herderstraße D-42853 Remscheid	3188

