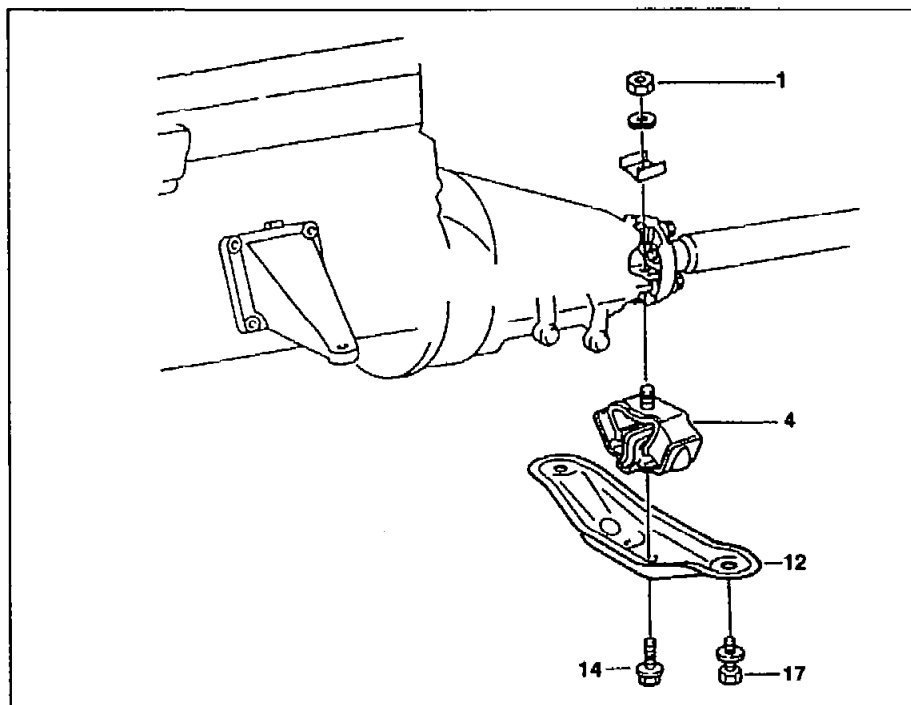


ENGINE 601 in MODEL 124, 201, 202

ENGINE 602 in MODEL 124, 201

ENGINE 603 in MODEL 124, 140

A Models 124, 140 and 201 (models with hydraulic front engine mount)



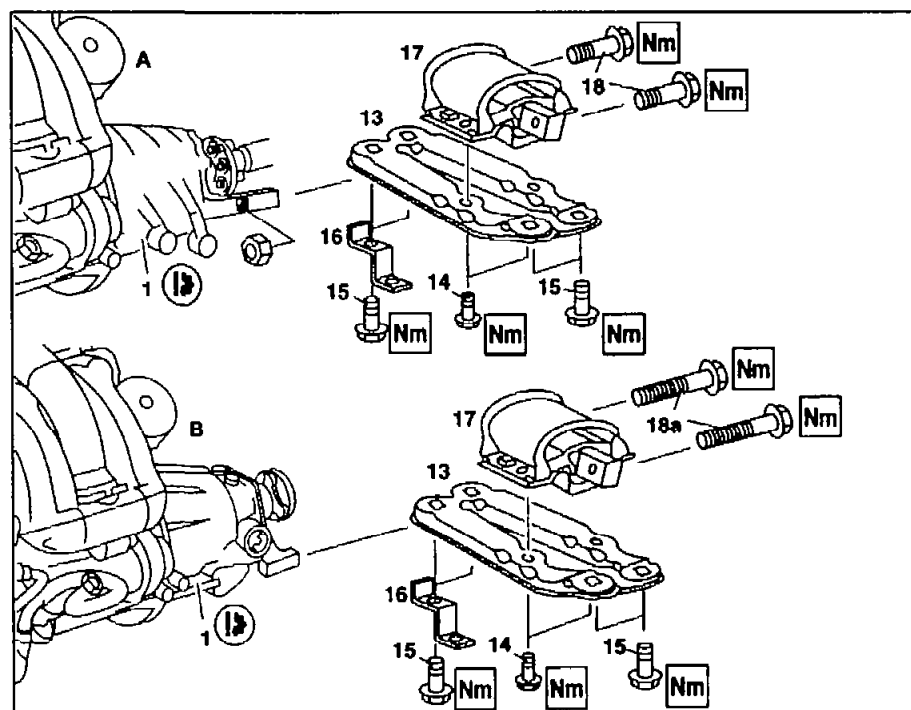
P22.10-0254-06

B Model 202 with engine 601

A Manual transmission

B Automatic transmission

- 13 Engine bracket
- 14 Bolt + washer
- 15 Bolt + washer
- 16 Bracket of engine compartment panel
- 17 Rear engine mount
- 18 Bolt + washer (manual transmission)
- 18a Bolt + washer (automatic transmission)

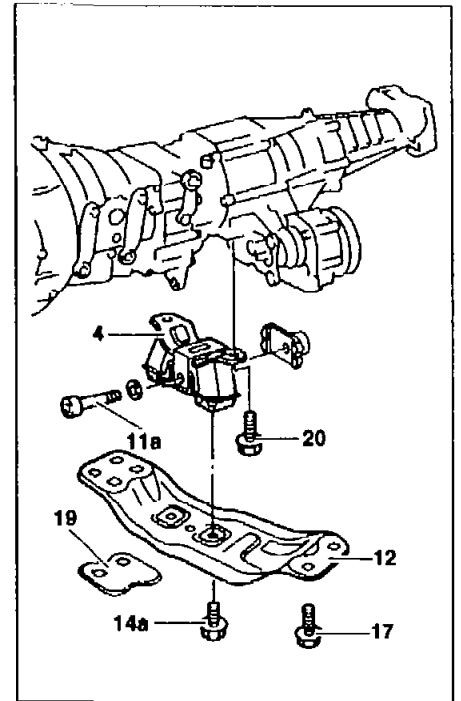


P22.10-0203-06



C 4MATIC vehicles

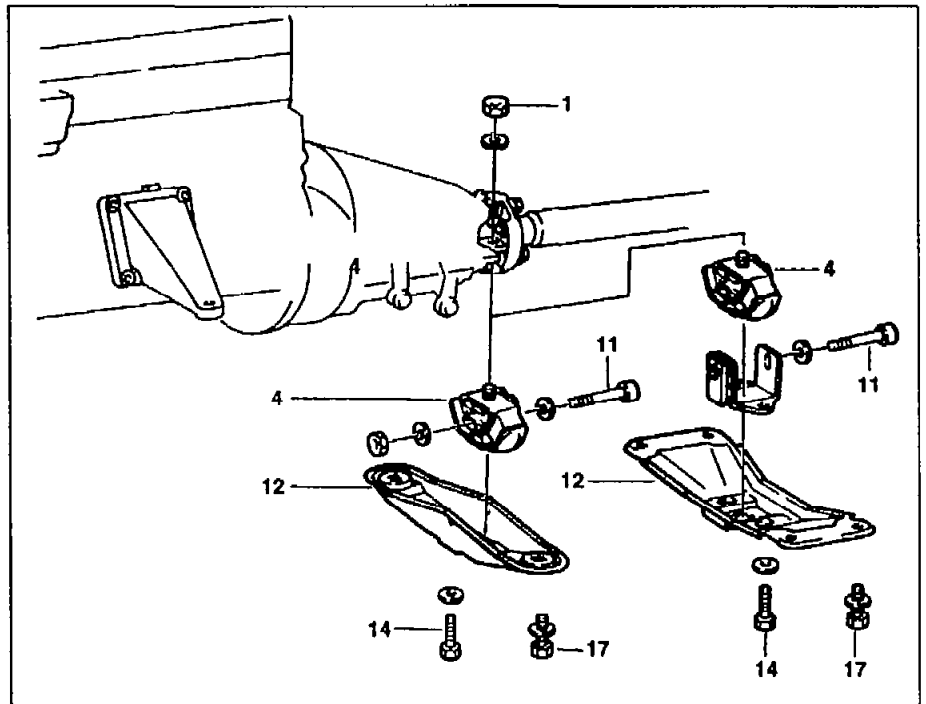
- 4 Engine mount
- 11a Adjusting bolt
- 12 Engine bracket
- 14a Hexagon socket bolts
- 17 Hexagon bolts
- 20 Hexagon bolts



P22.10-0259-03

D Models 126 and 201 (models with front rubber mount)

- 1 Hexagon nut
- 4 Hexagon bolt
- 11 Adjusting bolt
- 12 Engine bracket
- 14 Hexagon bolt
- 17 Hexagon bolt



P22.10-0258-06

Fig. item, etc.	Work instructions		
	Transmission	support	
	Engine mount	remove Pay attention to notes on rear engine mount	AH22.10-P-0001-01A AR22.10-P-1160HW/4 BA22.10-P-1002-01J BA22.10-P-1003-01J BA22.10-P-1004-01J BA22.10-P-1005-01J BA22.10-P-1006-01J



		Nm i 4MATIC: If the rear engine mount is replaced, the engine stop has to be set after driving a distance of approx. 1,000 and 10,000 km, respectively.	BA22.10-P-1008-01J 22-220
--	--	--	------------------------------

Nm Engine mounts, engine supporting brackets

Number	Designation		Engine 601 in model 201 with front rubber engine mounts	Engine 601, 602, 603 in model 124, 140, 201 with front hydraulic engine mounts, with front hydraulic engine mounts except engine 603.913/963 (4 MATIC)
BA22.10-P-1002-01J	Bolt of rear engine mount to engine supporting bracket	Nm	–	25
BA22.10-P-1003-01J	Bolt of rear engine supporting bracket to body	Nm	45	45
BA22.10-P-1004-01J	Bolt of front engine supporting bracket to engine mount	Nm	25	55
BA22.10-P-1005-01J	Nut/bolt of rear engine mount to transmission	Nm	70	70
BA22.10-P-1006-01J	Adjusting bolt of engine stop to rear engine mount	Nm	30	–
BA22.10-P-1008-01J	Bolt of rear engine supporting bracket to engine stop	Nm	25	–

Nm Engine mounts, engine supporting brackets

Number	Designation		Engine 601 in model 202	Engine 603.913/963 (4 MATIC) in model 124.2/3
BA22.10-P-1002-01J	Bolt of rear engine mount to engine supporting bracket	Nm	25	–
BA22.10-P-1003-01J	Bolt of rear engine supporting bracket to body	Nm	40	40
BA22.10-P-1004-01J	Bolt of front engine supporting bracket to engine mount	Nm	55	20
BA22.10-P-1005-01J	Nut/bolt of rear engine mount to transmission	Nm	40	20
BA22.10-P-1006-01J	Adjusting bolt of engine stop to rear engine mount	Nm	–	45

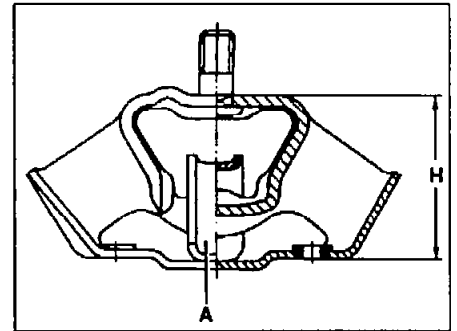


Engine mounts, engine supporting brackets

Number	Designation	Engine 603 in model 126 with front rubber engine mounts	
BA22.10-P-1003-01J	Bolt of rear engine supporting bracket to body	Nm	45
BA22.10-P-1004-01J	Bolt of front engine supporting bracket to engine mount	Nm	25
BA22.10-P-1005-01J	Nut/bolt of rear engine mount to transmission	Nm	70
BA22.10-P-1006-01J	Adjusting bolt of engine stop to rear engine mount	Nm	30
BA22.10-P-1008-01J	Bolt of rear engine supporting bracket to engine stop	Nm	25

AH22.10-P-0001-01A	Notes on rear engine mounts	i
--------------------	-----------------------------	---

Model 124, 201: If hydraulic engine mounts are fitted at the front, the rear engine mount has a catch bar (A). In addition the height (H) of the engine mounts differs.



P22.10-0262-01