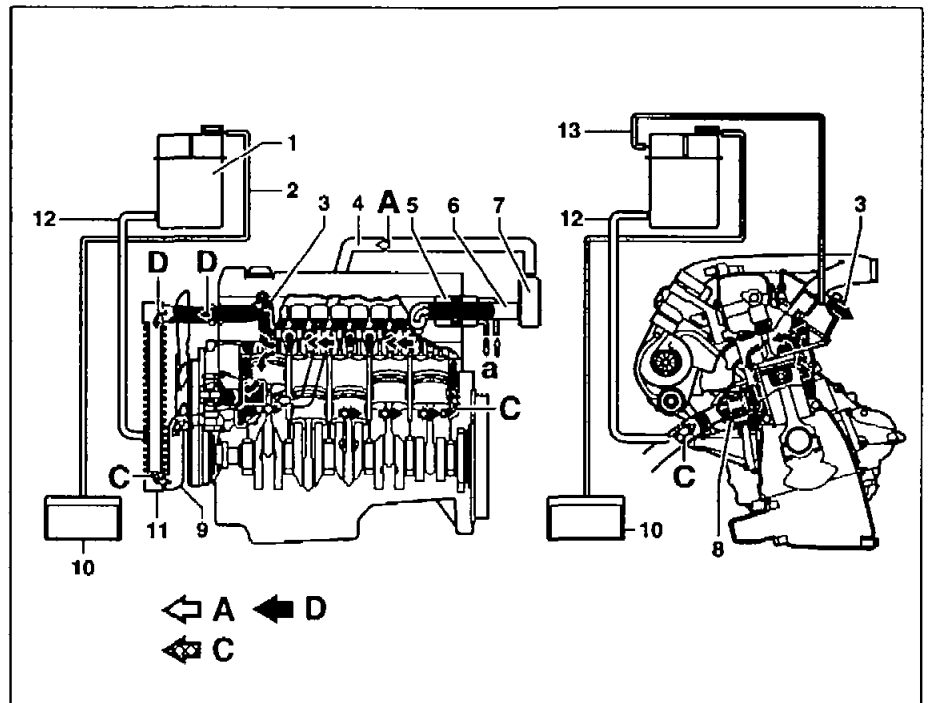


## ENGINE 602.96, 603.96 /97

- 1 Expansion reservoir
- 2 Overflow line
- 3 From cylinder head to radiator
- 4 Return flow from heating system (heat exchanger)
- 5 Fuel heat exchanger
- 6 Feed to heating system (heat exchanger)
- 7 Heat exchanger
- 8 Thermostat
- 9 From radiator to coolant pump through coolant thermostat
- 10 Overflow tank (engine 603.96)
- 11 Radiator
- 12 Filler hose
- 13 Vent line
- A Heating system
- C Cooled water
- D Radiator circuit above 100 °C



P20.00-0405-06