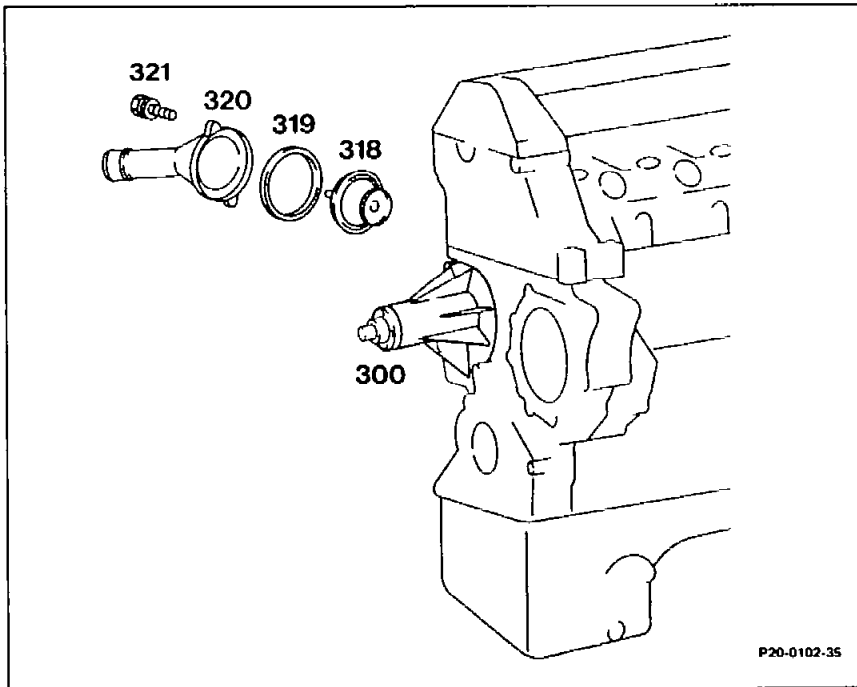


20-110 Removing and installing thermostat

Preceding work:
Coolant drained (20-010).

Operation no. of operation texts and operation values or standard
texts and flat rates 20-2462



- Housing cover (320) unscrew from coolant pump, screw on, bolts (321), 10 Nm. Renew seal (319).
- Thermostat (318) check. Pay attention to installation position; the recess on the thermostat must be aligned with the rib in the thermostat housing cover.

Note

Thermostat and thermostat housing cover are marked with a green dot on turbo engines.

Special tool

