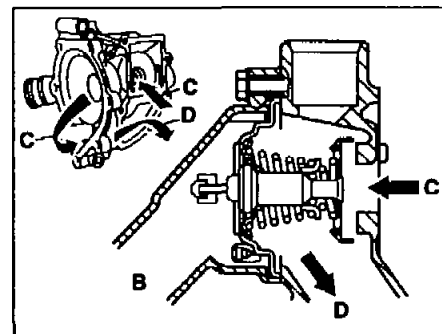


**ENGINE 601, 602, 603 (except, 602.982)**

Up to a coolant temperature of approx. 85 °C (engine 602.96, 603.96, 80 °C) the main valve is closed and the bypass disk is fully open. The feed (B) from the radiator is thus interrupted. The coolant flows through the bypass passage (C) directly through the coolant pump into the crankcase (D).



P20.00-0407-01

- C From crankcase (bypass passage)
- D To crankcase

	Construction state description	ENGINE 601.91, 602.91, 603.91 (except 601.913)	GF20.00-P-1101A GF20.00-P-1101A
		ENGINE 602.96, 603.96 /97	GF20.00-P-1101B GF20.00-P-1101B
		ENGINE 601.913 in MODEL 202	GF20.00-P-1101C GF20.00-P-1101C