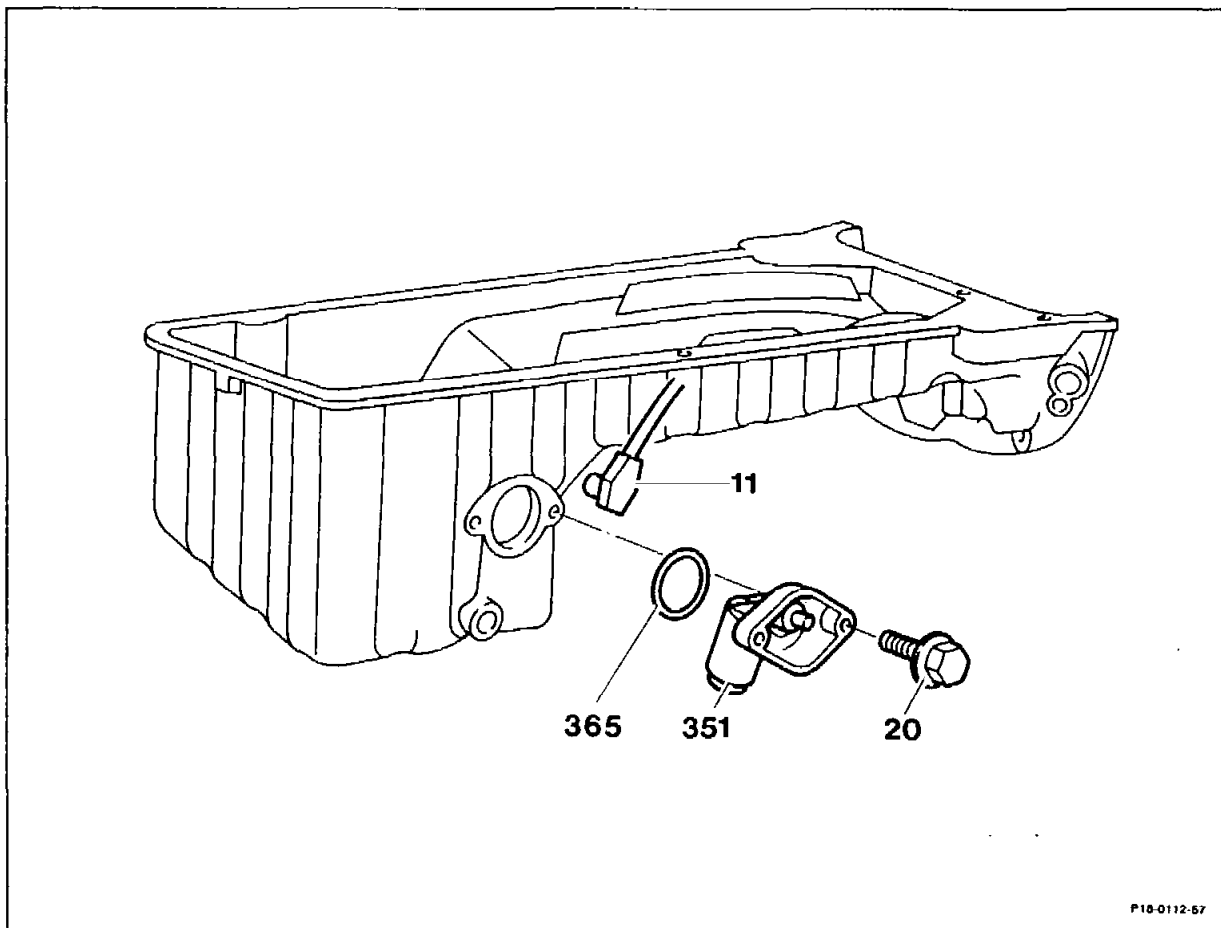


18-226 Removing and installing oil level sensor

Preceding work:
Engine oil drained.
Engine compartment cladding bottom removed (01-006).

Operation no. of operation texts and operation values or standard
texts and flat rates 18-4113

A. Engines 601, 602, 603 (except engine 603 in model 124 4MATIC)



Plug (11)	for oil level sensor, disconnect, plug in.
Bolts (20)	unscrew, screw in, 10 Nm. Remove and install oil level sensor (351). Renew O-ring (365).

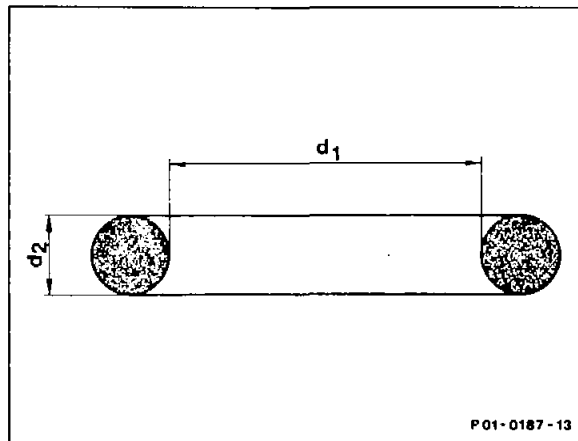
Modifications

Since 09/86 an O-ring made of Viton with a larger diameter has been fitted for sealing the oil level sensor at the sump.
 Color: green (previously black).
 Diameter 3.15 mm (previously 3 mm).

The seal of the oil level sensor at the sump is improved by modified dimensioning of the O-ring.

New O-ring:

Size	Previous version mm	Present version mm
d ₁	40.20	37.20
d ₂	3.15	3.20



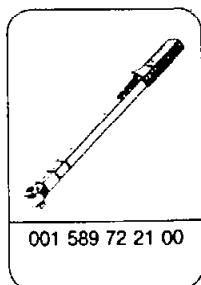
Tightening torques

Nm

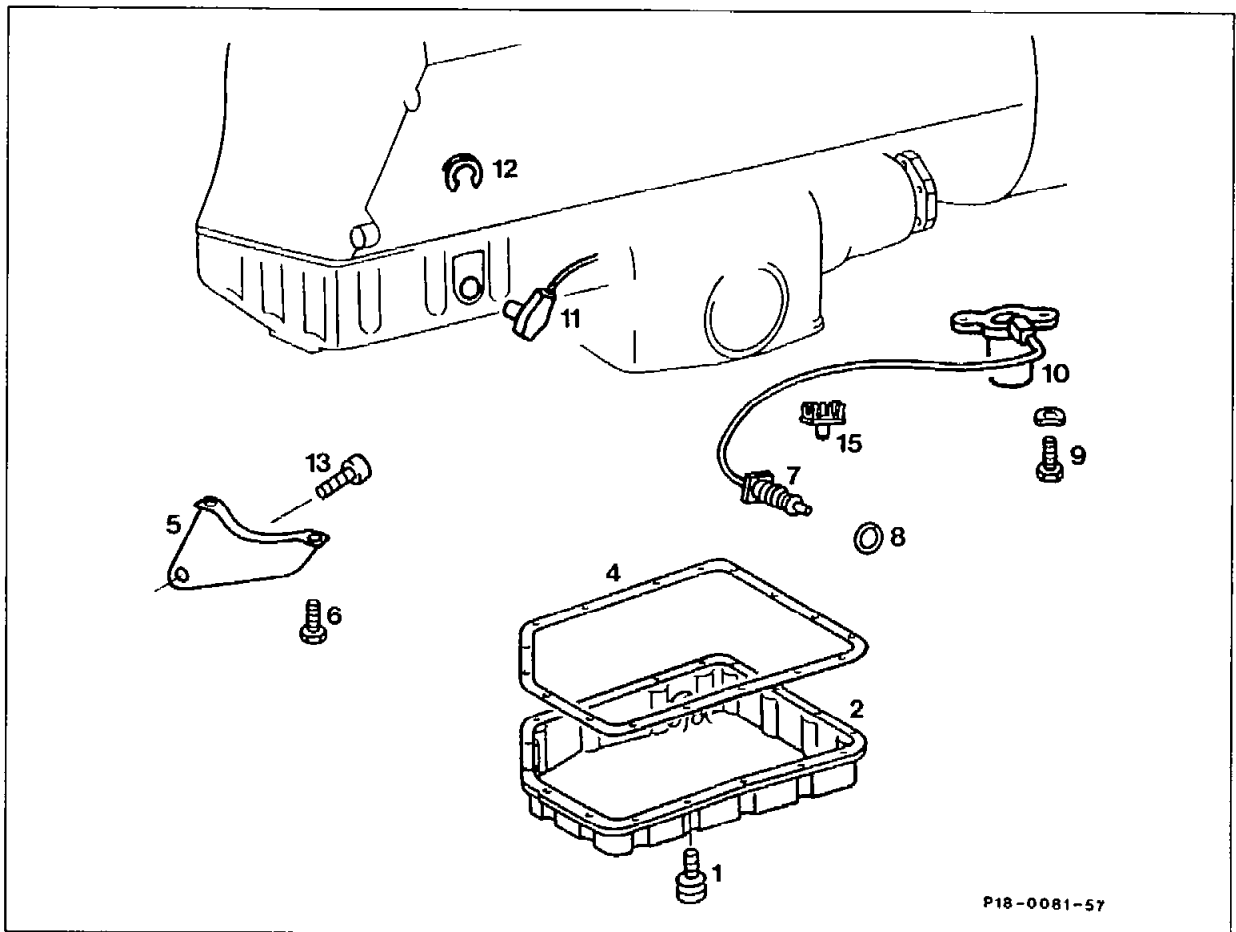
Oil level sensor bolts

10

Special tool



B. Engine 603 in model 124 4MATIC

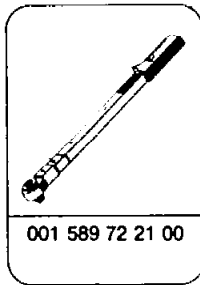


Cable plug (11)	disconnect, plug in.
Locking element (12)	pull off, fit on.
Plug connection	push through hole in front axle housing, insert.
Oil sump base section (2)	detach, attach, tightening torque of hex. socket screws (1) 10 Nm, renew gasket (4).
Support (5)	detach, attach, tightening torque of hex. bolts (6, 13) 10 Nm.

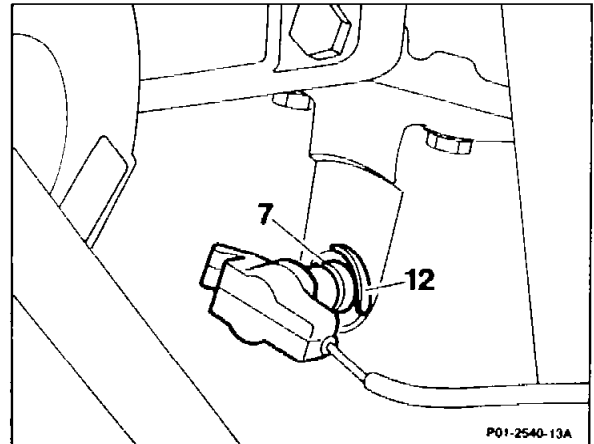
Tightening torques

	Nm
Hex. socket screws, oil sump base section	10
Hex. bolts, support	10
Hex. bolts, oil level sensor	10

Special tool



- 1 Disconnect plug.
- 2 Pull off locking element (12) and press in plug (7).



- 3 Detach bottom section of sump (2).

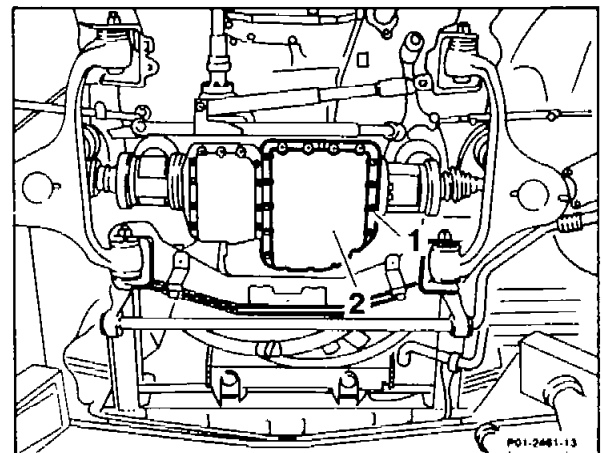
Installation instruction

Tightening torque of hex. socket screws (1)
10 Nm. Renew gasket.

- 4 Detach support.

Installation instruction

Tightening torque of hex. bolts 10 Nm.



- 5 Push plug connection (7) through the hole into the front axle housing.

- 6 Unscrew oil level sensor (10) and take off with cable (14) and also plug connection (7).

Installation instruction

Tightening torque 10 Nm
Renew seal (8).

