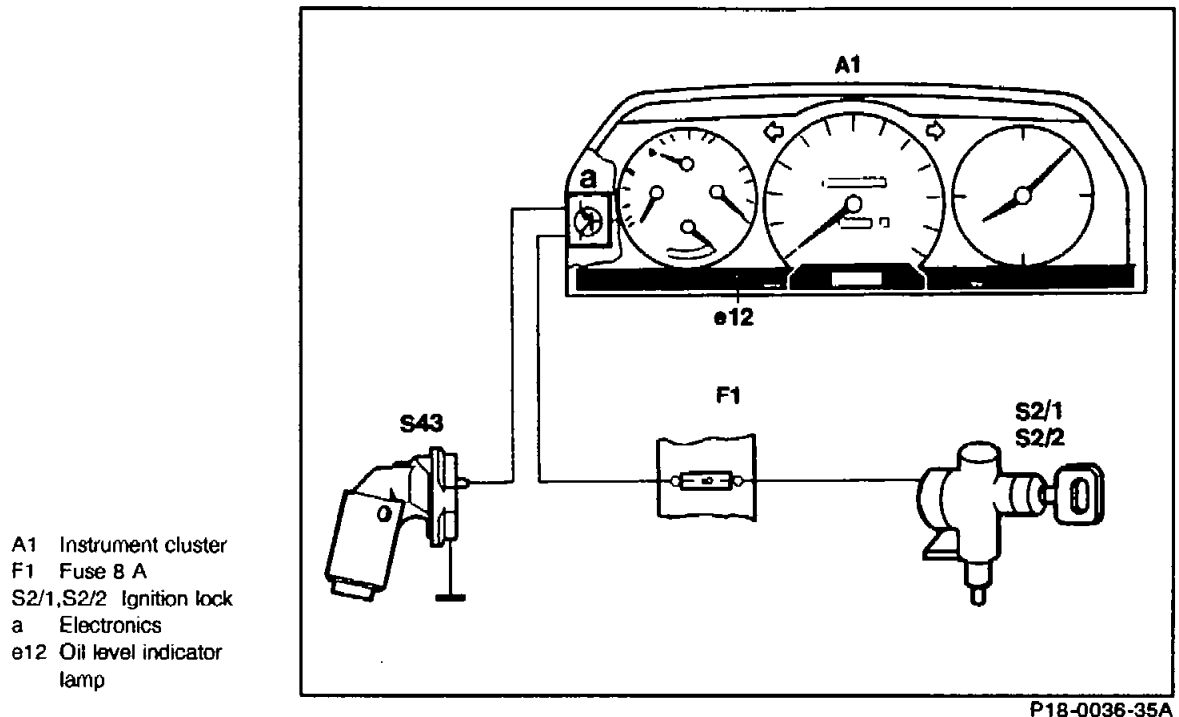


18-220 Testing oil level indicator

Operation no. of operation texts and work units or standard texts and flat rates



Note

Engine 602.982 in model 210

Operation of oil level indicator as described in 18-225. Actuated electrically through the DFI control module.

Testing see Diagnosis Manual Volume 1 and HHT.

Complaints

- A. Indicator lamp shows a steady light when engine running and oil level correct.
- B. Indicator lamp does not light up when key in position "2".
- C. Indicator lamp does not light up when engine running, oil temperature > +60 °C and oil level below "min".

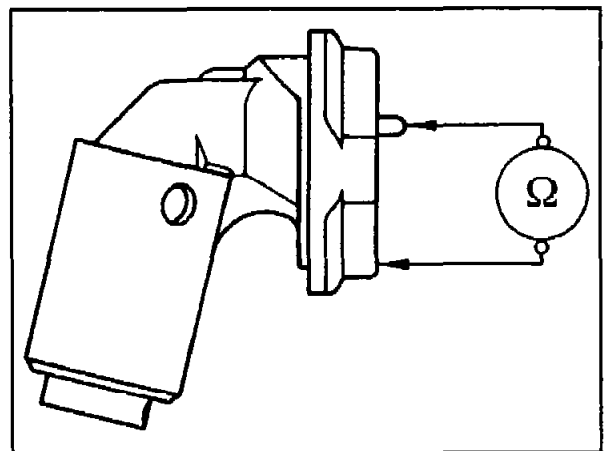
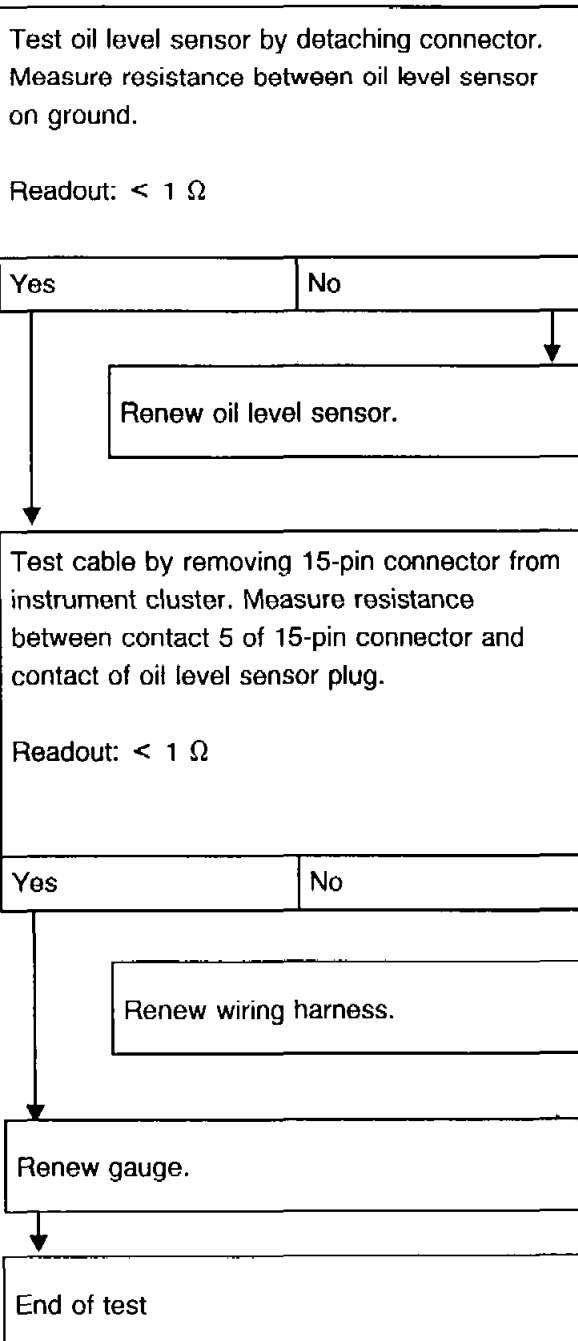
Test data

Resistance at max. oil level	< 1 Ω
Resistance at min. oil level	$\infty \Omega$
Battery voltage	approx. 12 V

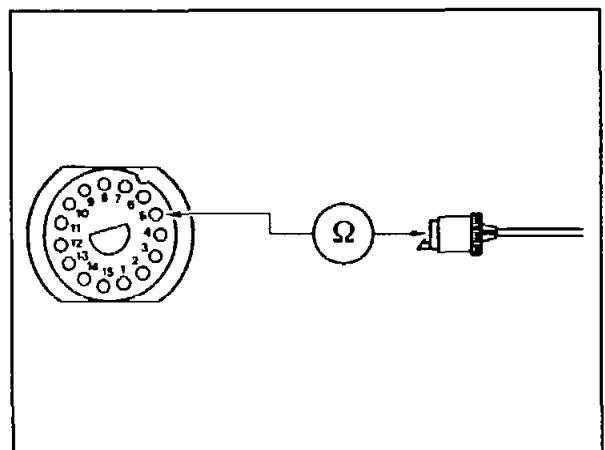
Commercially available tool

Multimeter e.g. Sun, DMM-5

A. Indicator lamp shows a steady light when engine running and oil level correct

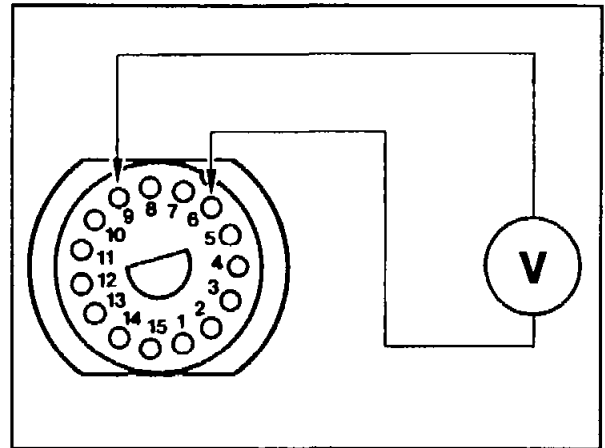
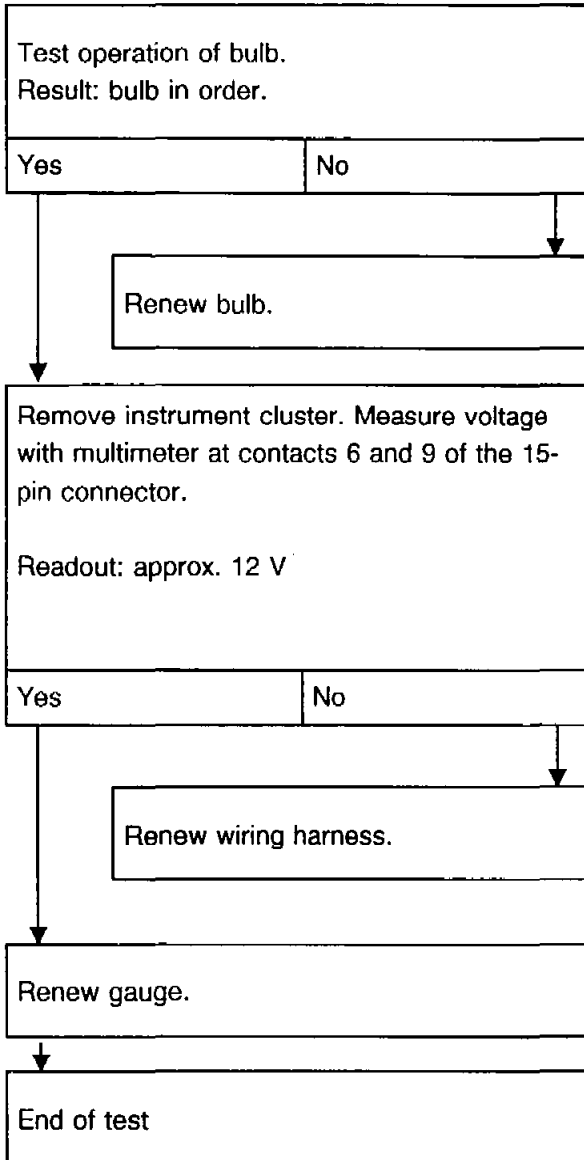


P18-0075-13



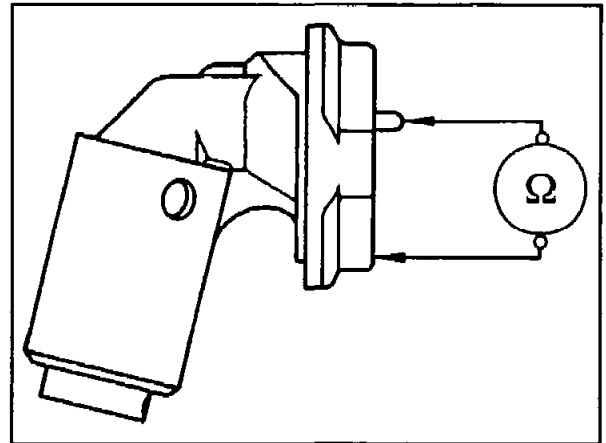
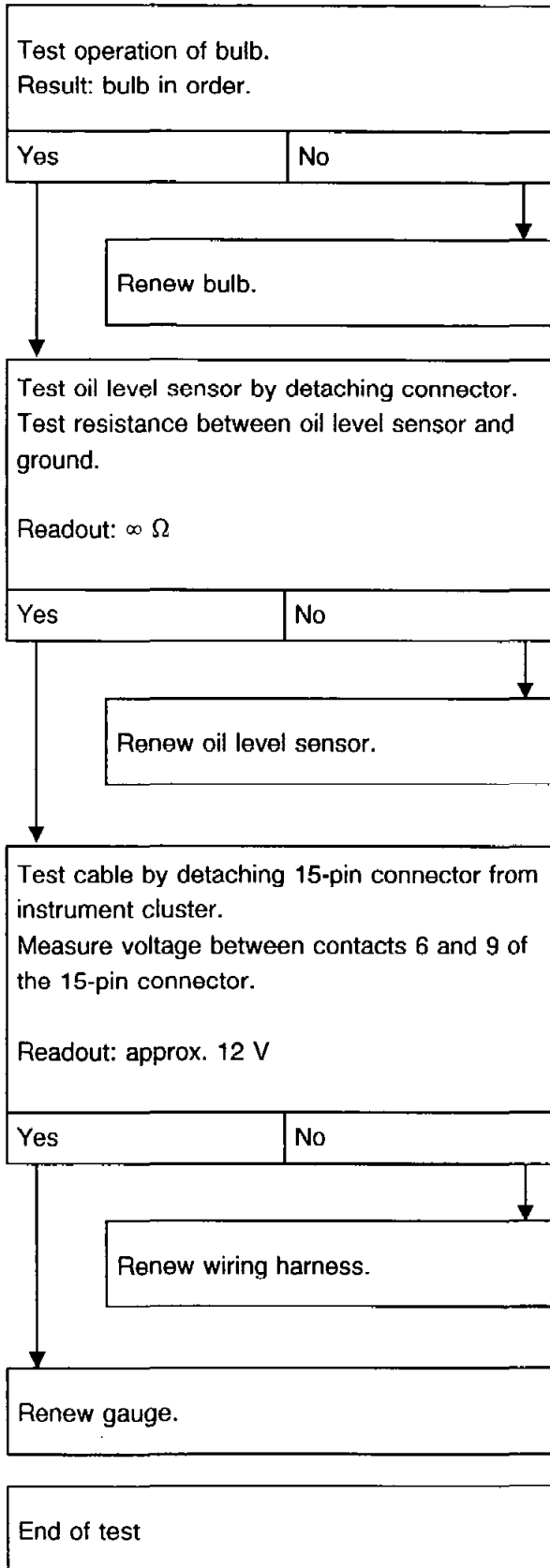
P18-0076-13

B. Indicator lamp does not light up when key in position "2" (check function)

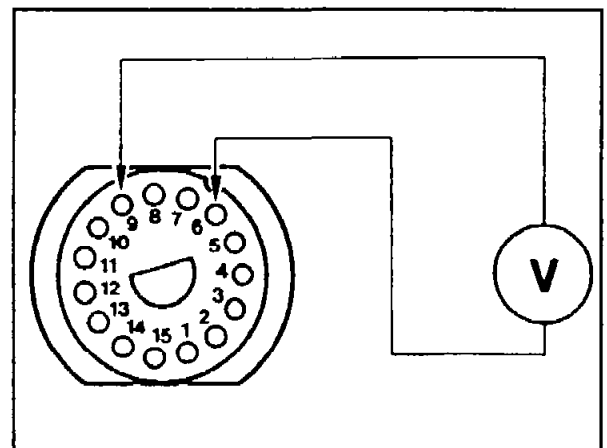


P20-0076-13

C. Indicator lamp does not light up when engine running, oil temperature > +60 °C and oil level below "min"

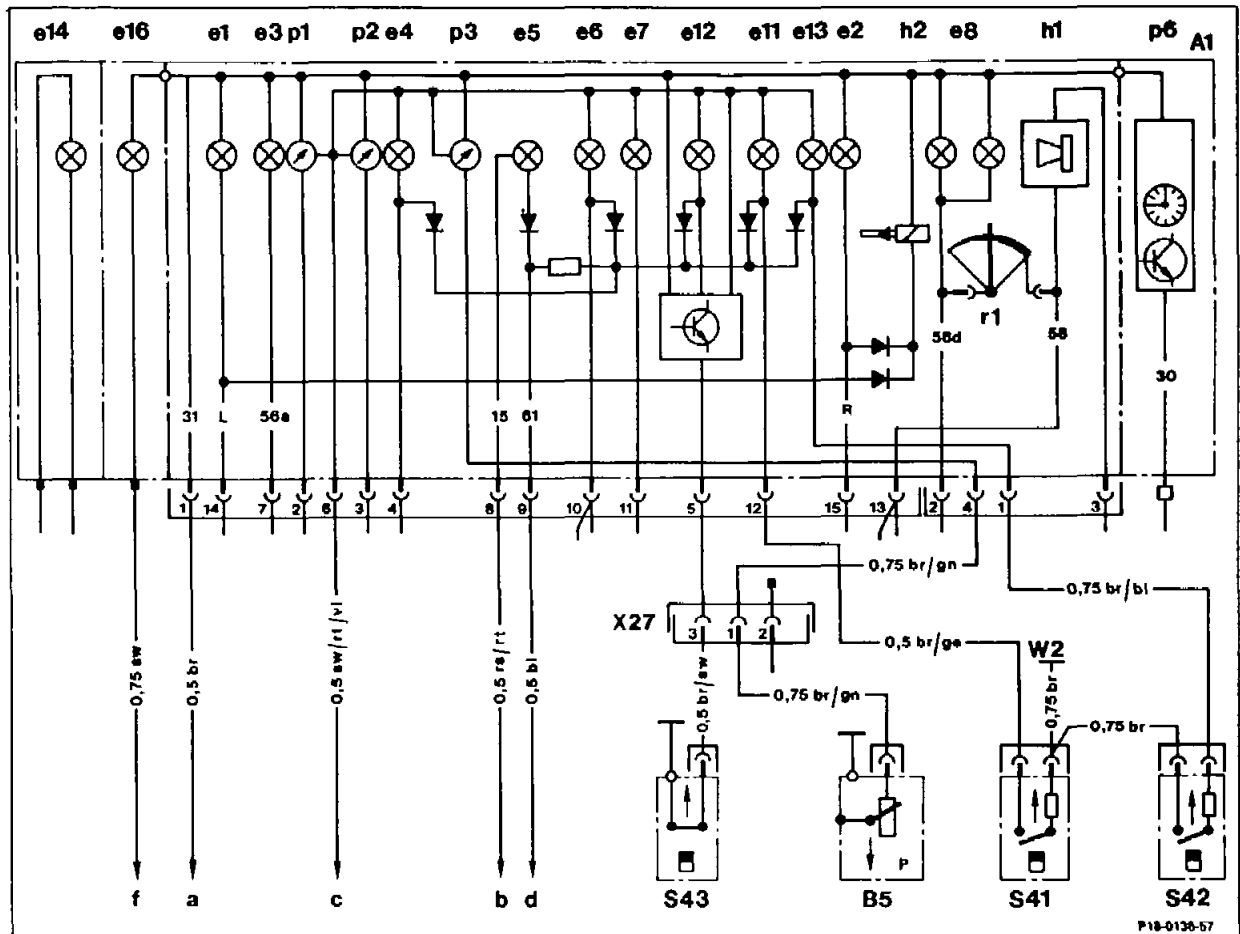


P18-0075-13



P20-0076-13

Model 124



Wiring diagram engine oil level indicator, coolant level indicator, windscreen washer level indicator (see Wiring Diagrams Volume 3 and Volume 4 for further information)

- | | | | |
|-----|--|-----|--|
| A1 | Instrument cluster | B5 | Oil pressure gauge sensor |
| e1 | Left turn-signal indicator lamp | S41 | Coolant level indicator lamp switch |
| e2 | Right turn-signal indicator lamp | S42 | Windscreen washer indicator lamp switch |
| e3 | High beam indicator lamp | S43 | Oil level indicator lamp switch |
| e4 | Fuel reserve warning lamp | W2 | Ground, front right (next to lamp unit) |
| e5 | Battery charge indicator lamp | X27 | Connector, starter wiring harness |
| e6 | Brake pad wear indicator lamp | a | Main ground (behind instrument cluster) W1 |
| e7 | Brake fluid and parking brake indicator lamp | b | Fuse 7 terminal 15 |
| e8 | Instrument lighting | c | Fuse 5 terminal 15 |
| e11 | Coolant level indicator lamp | d | Lamp indicator unit |
| e12 | Oil level indicator lamp | f | Preglow time relay terminal La |
| e13 | Windscreen washer level indicator lamp | | |
| e14 | Exterior lamp failure indicator lamp | | |
| e16 | Preglow indicator lamp | | |
| h1 | Warning buzzer | | |
| p1 | Coolant temperature gauge | | |
| p2 | Fuel gauge | | |
| p3 | Oil pressure gauge | | |
| p6 | Electronic clock | | |