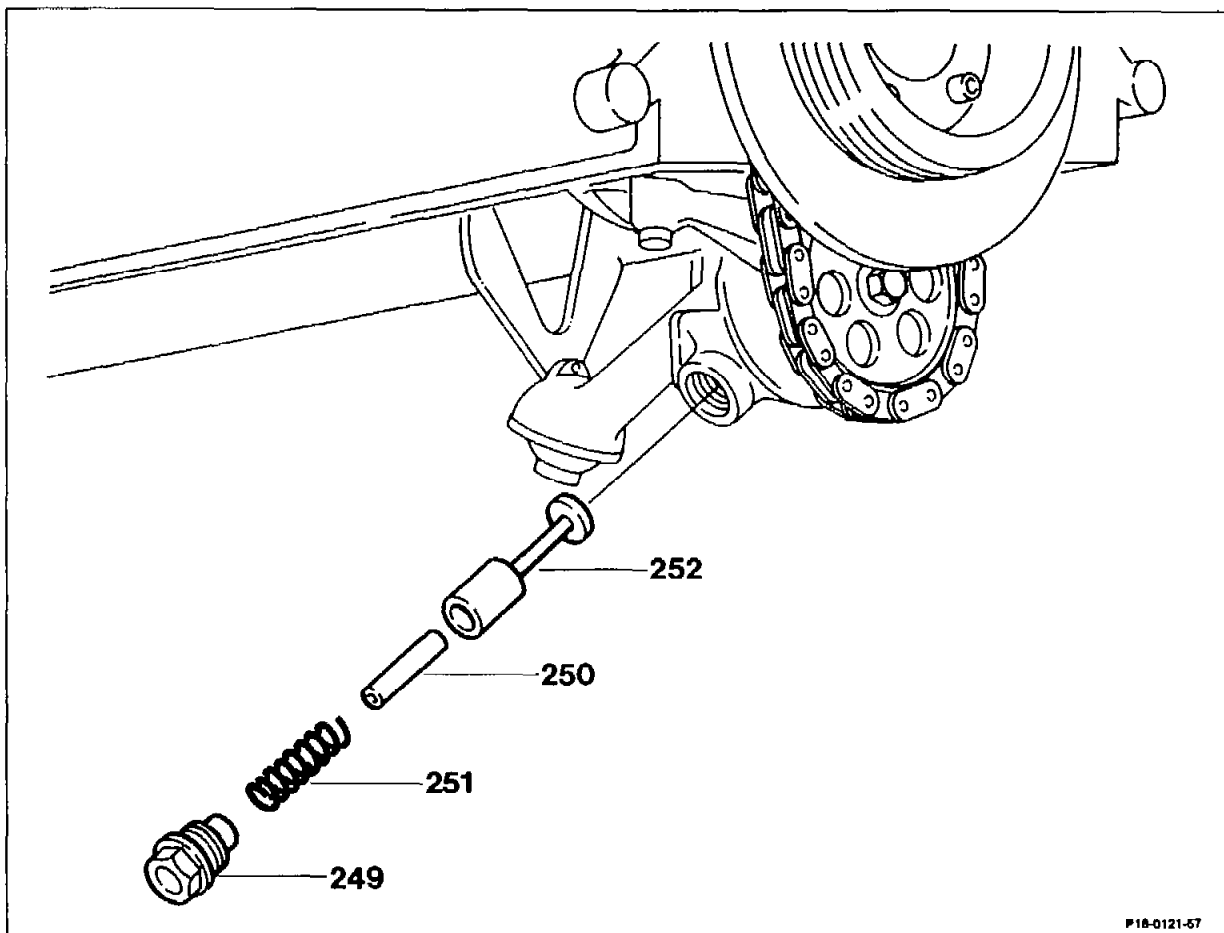


## 18-215 Removing and installing oil overpressure valve

Preceding work:  
Oil sump removed (01-310).

Operation no. of operation texts and operation values or standard  
texts and flat rates ..... 18-5043



Screw plug (249) .....



The screw plug is spring-tensioned. Unscrew,  
screw in, 50 Nm.  
Renew seal.

Guide pin (250), compression spring (251) and  
piston (252) .....

take off, install.

### Special tool

