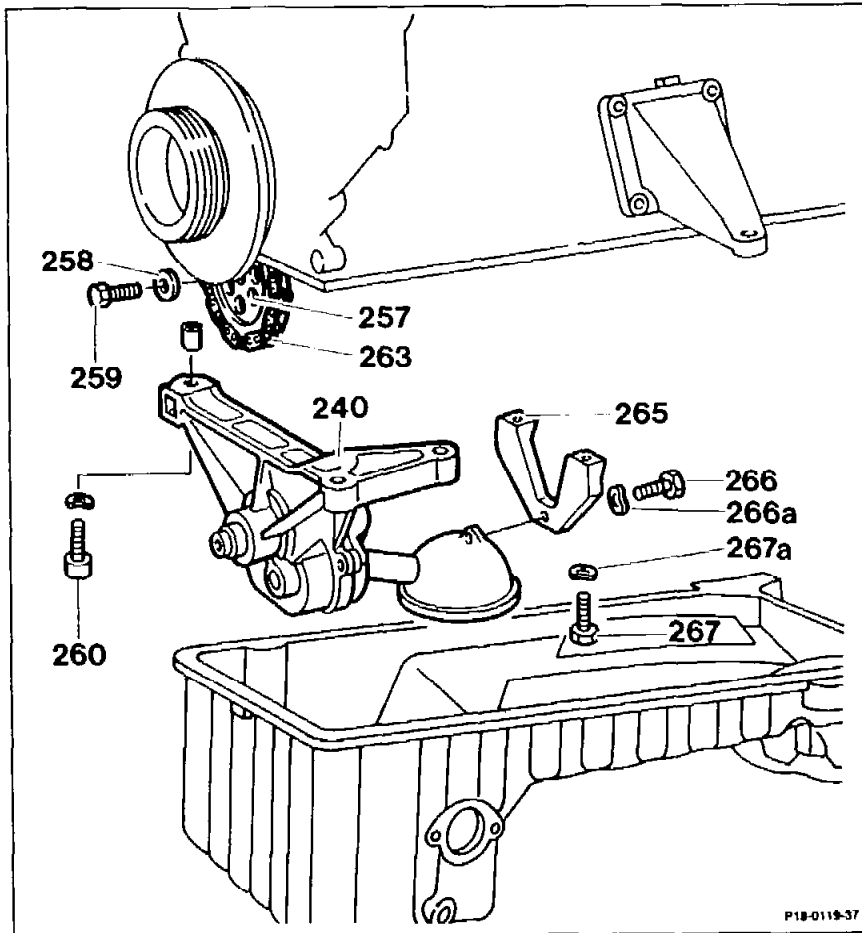


18-210 Removing and Installing oil pump

Preceding work:
 Oil sump removed (01-310A).
 Front axle housing removed (01-310B)

Operation no. of operation texts and operation values or standard
 texts and flat rates 18-6023



Engine 601

Sprocket wheel (257) detach, attach, hex. bolt (259), 25 Nm. Install sprocket wheel with curvature facing oil pump.

Engines 602 and 603

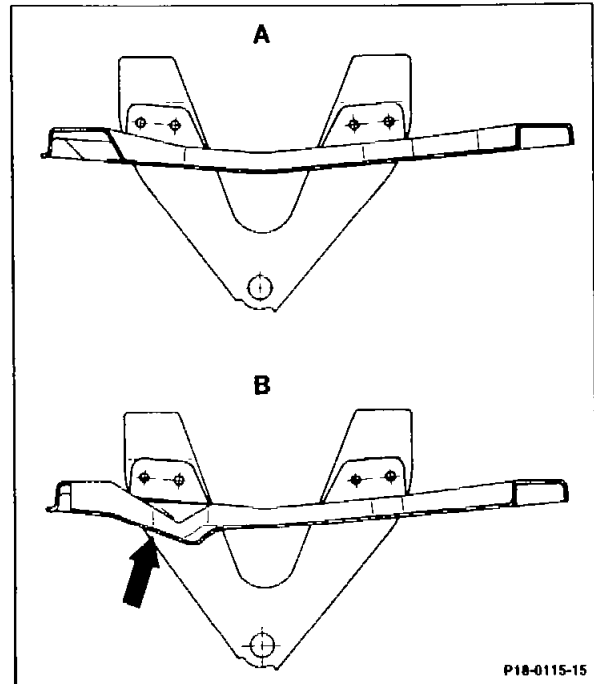
Support (265) unscrew from intake snorkel of oil pump, screw on, hex. bolt (266, 267), 10 Nm.

Oil pump (240) detach, attach, hex. socket screws (260), 25 Nm.

Notes

Modification to shape of oil deflector plate as of 04/84

The vibration properties have been improved by modifying the shape of the oil deflector plate (arrow).



A 1st version
B 2nd version

Production modification of oil pump chain as of 06/88

An oil pump chain with open sleeves is fitted to reduce wear.

Oil pump, engine 603.96

Since 01/90 oil pumps with relief groove for shielding noise have been fitted to these engines.

Oil pump chain

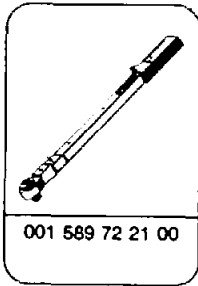
Engines 602 and 603

Since 03/90 oil pump chains of the make Daido have been fitted.

Tightening torques

	Nm
Hex. bolt of sprocket wheel	32
Hex. socket screws of oil pump	25
Hex. bolts of intake manifold bracket (engines 602, 603)	25

Special tool



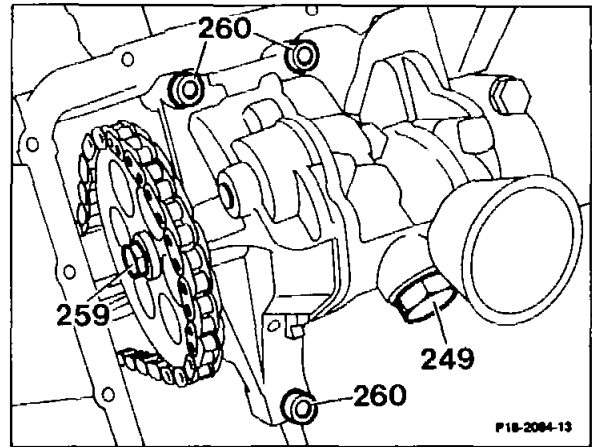
Removal and installation

1 Unscrew hex. bolt (259) and take sprocket wheel off the chain.

Installation instruction

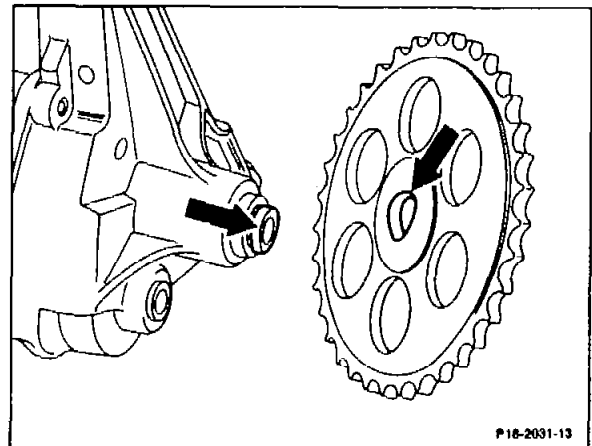
Tightening torque 32 Nm.

- | | |
|-----|-----------------------------------|
| 249 | Oil overpressure valve screw plug |
| 260 | Hex. socket screws |



Installation instruction

Tightening torque 32 Nm. Install sprocket wheel so that the curvature is facing the oil pump (arrows).



Engines 602 and 603

2 Unscrew hex. bolt (266) at the support (265) of the intake snorkel of the oil pump.

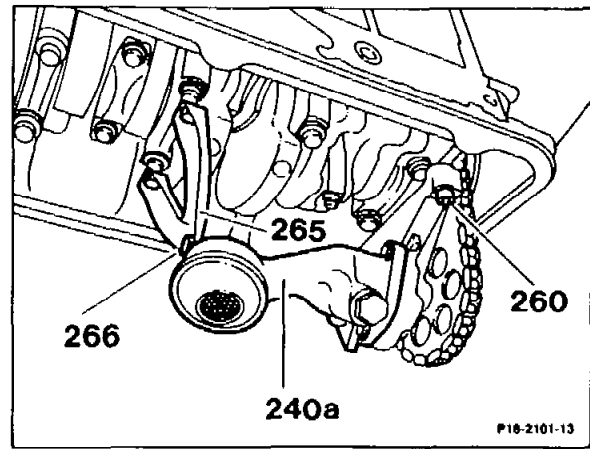
Installation instruction

Tightening torque 25 Nm.

3 Unscrew hex. socket screws (260) of the oil pump (240a) and take off oil pump.

Installation instruction

Tightening torque 25 Nm.



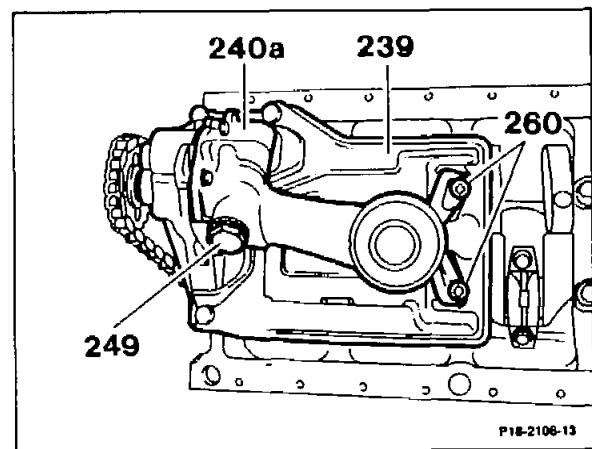
Engines 602.96 and 603.970

4 Unscrew additionally hex. socket screws (260) and take off oil deflector plate (239).

Installation instruction

Tightening torque 25 Nm.

Engine 602.96
240a Oil pump
249 Oil overpressure
valve screw plug



5 Installation is performed in the reverse order.

Engine 603.97

