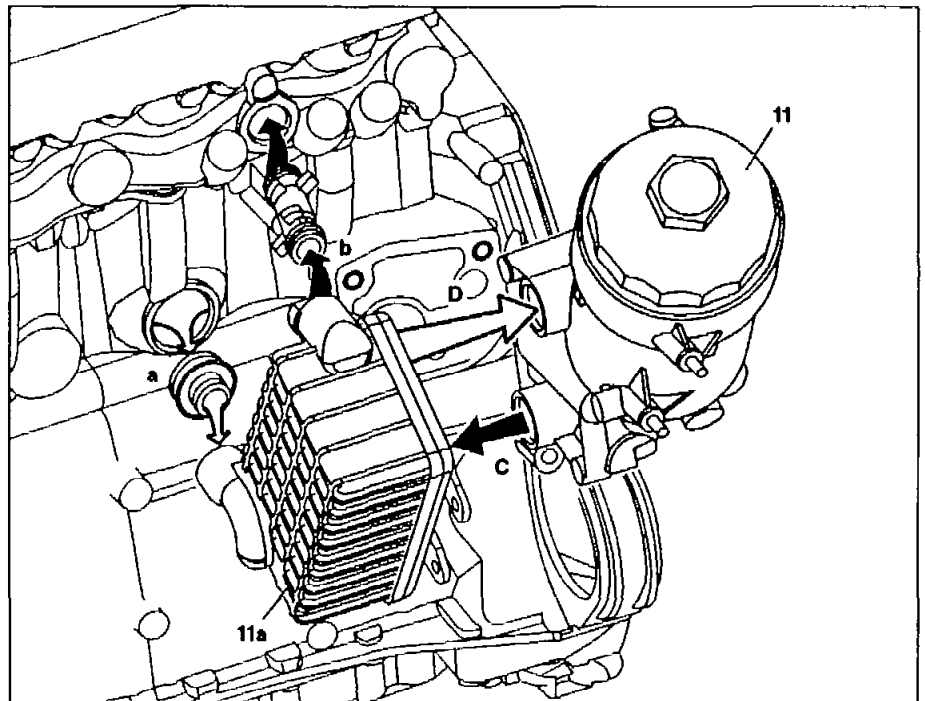


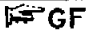
ENGINE 601.913 in MODEL 202.120

- a Coolant feed
- b Coolant return
- C Oil to oil pump
- D Oil to oil filter

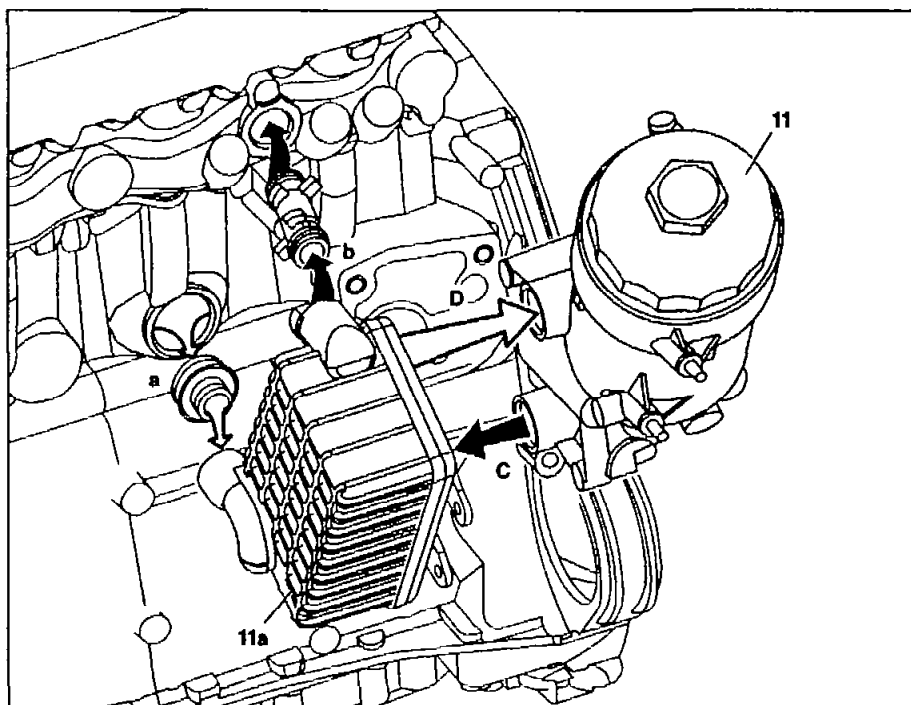
- 11 Oil filter housing
- 11a Oil-water heat exchanger



P18.00-0215-06

	Position		GF18.00-P-1104-01A GF18.00-P-1104A/2
	Function	The oil-water heat exchanger (11a) contains a plate-type heat exchanger. Engine oil flows in the plate-type heat exchanger. The surrounding coolant heats the engine oil in the cold-starting phase and cools it at engine operating temperature.	

The oil-water heat exchanger (11a) is bolted to the oil filter housing.



P18.00-0215-06