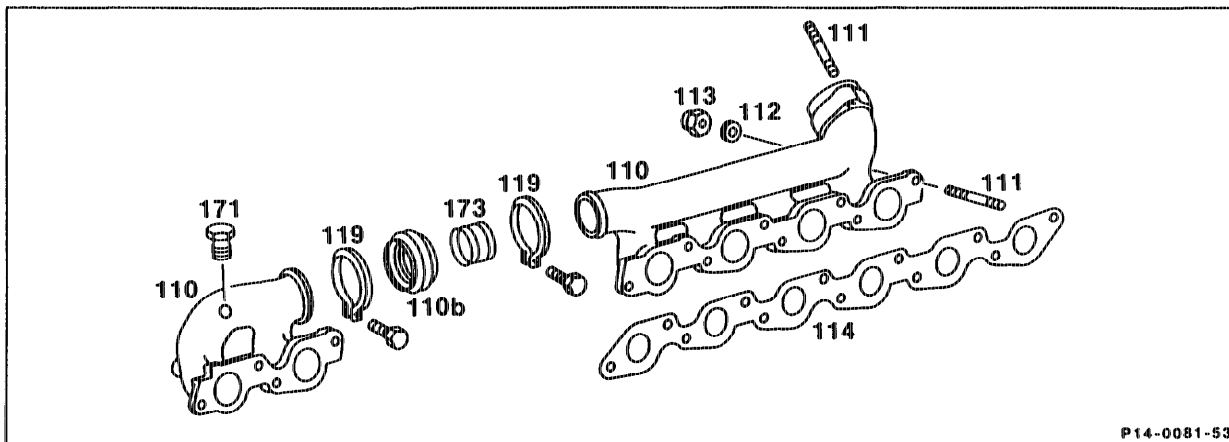


14-3900 Removing and Installing Exhaust Manifold

Preceding work:
Removing and installing exhaust gas turbocharger (09-6020).

Operation no. of operation texts and work units or standard texts
and flat rates: 14-3900



P14-0081-53

Clip (119, 2 off)	slacken.
Nut (113, 12 off)	renew, 25 Nm.
Washer (112, 12 off)	remove, install.
Metal hose (110 b)	remove, install.
Pipe (173)	remove, install.
Screw plug (171)	remove, install.
Exhaust manifold (110)	2-piece, remove, install.
Gasket (114)	renew.
Stud bolt in cylinder head (111, 12 off)	check, renew if required.

Note

Engines 602.962, 603.960/963/971

Tightening torque of exhaust manifold to cylinder head increased to 30 Nm.

Production breakpoint: as of September 1994

Model	Engine	Engine end no. Manual transmission	Engine end no. Automatic transmission
124.128/188	602.962	032391	020186
124.133/193	603.960	-	052774
124.333/393	603.963	-	004483
140.134	603.971	-	012938