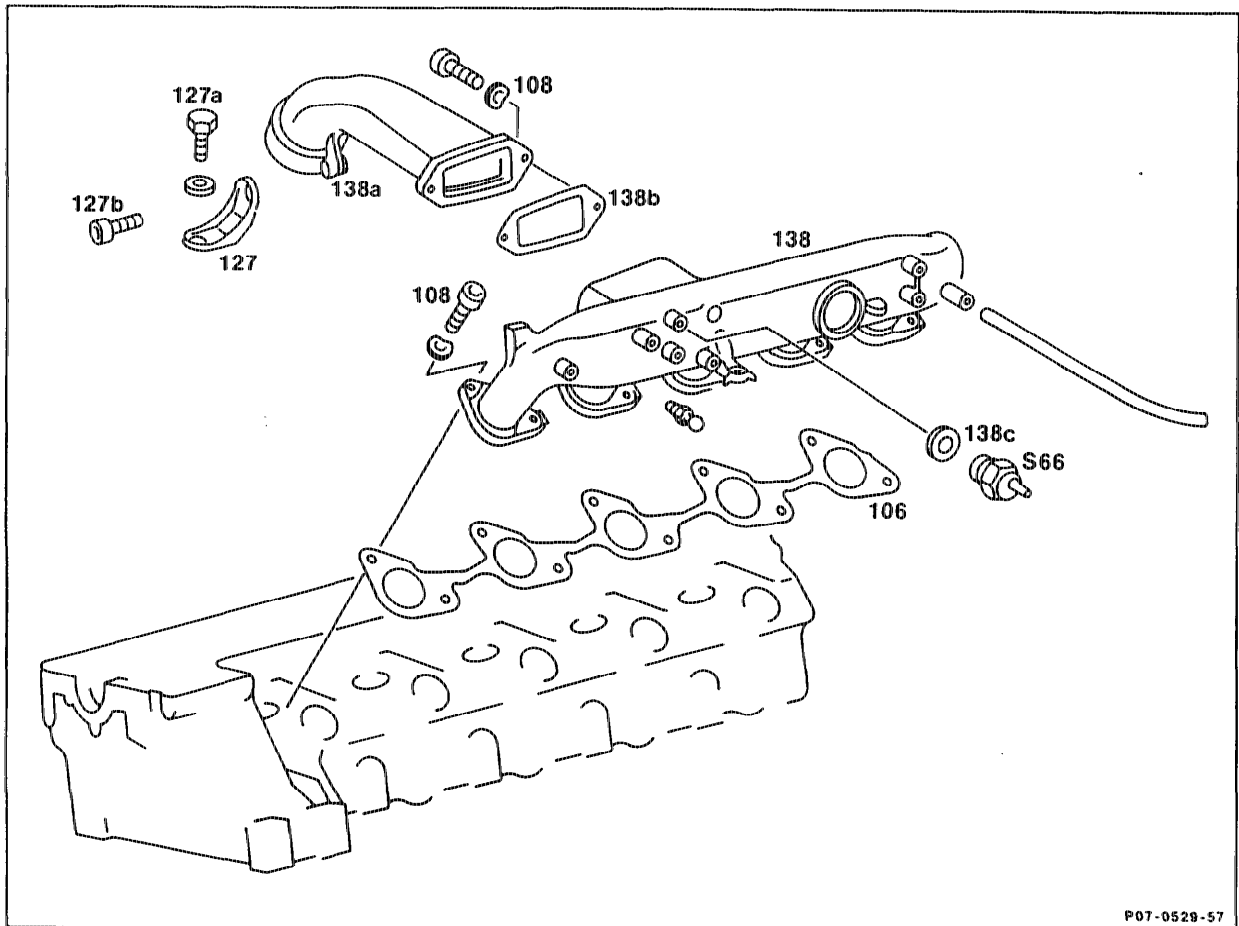


## 14-1310 Removing and Installing Charge Air Pipe

Preceding work:

Operation no. of operation texts and work units or standard texts and flat rates: 14-1310



P07-0528-57

Pressure line (transparent) on charge air pipe . . .	disconnect, connect, slacken hose clamp.
Connector on pressure switch (S66) . . . . .	disconnect, connect.
Pressure switch (S66) . . . . .	remove, install, renew seal (138c).
Bracket (127) . . . . .	remove, install.
Screw-and-washer assemblies (108) . . . . .	10 or 12 off, remove, install, torque 25 Nm.
Charge air connecting line (138a) . . . . .	remove, put on, renew seal (138b).
Charge air pipe (138) . . . . .	remove, attach, renew gasket (106).

## Note

### Engines 602.962, 603.960/963/971

Gasket of boost air pipe to cylinder head made of improved material.

### Production breakpoint: as of October 1993

Model	Engine	Engine end no.	
		Manual transmission	Automatic transmission
124.128/188	602.962	000000	019170
124.133/193	603.960	-	049519
124.333/393	603.963	-	004191
140.134	603.971	-	007455