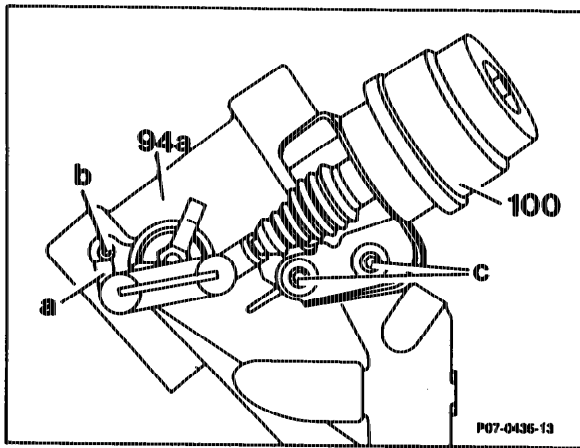


14-0200 Removing and Installing Vacuum Control Flap Vacuum Unit

Preceding work:

Operation no. of operation texts and work units or standard texts and flat rates:



Engine 602.96

Vacuum unit (100)	remove, install.
Bolts (c)	tighten slightly.
Vacuum unit (100)	pressurize with 385 ± 5 mbar vacuum and slide into the elongated holes until the lever (a) rests on the stop (b). Tighten bolts (c) in this position. Bleed vacuum unit and repeat test, correcting the setting if required.

Summary of installation of vacuum control flap (engine 602.96)

Model Year	Basic Version Code 62/0	(A) (FIN)	(CH) (DK)	(USA)
1990	-	-	-	X
1991	-	-	X	X
1992	X	X	X	X