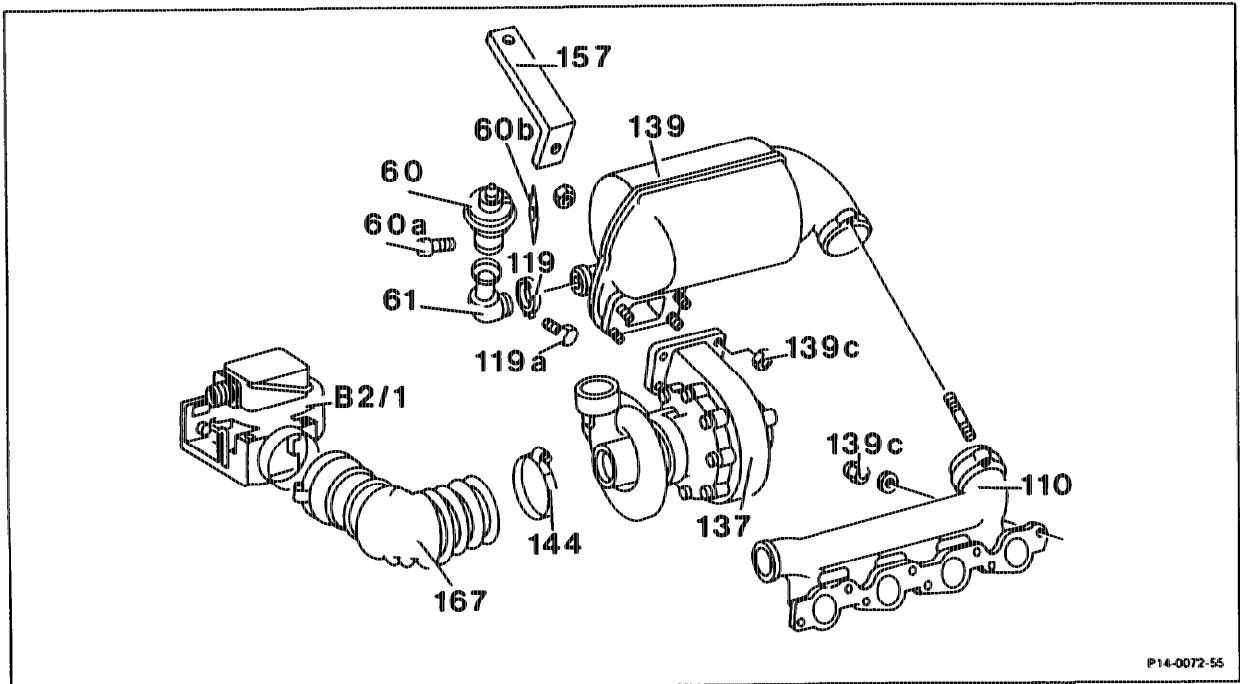


14-0100 Removing, Installing Trap Oxidizer USA

Preceding work:

Operation no. of operation texts and work units or standard texts and flat rates:



P14-0072-55

Vehicle	drive onto inspection platform or pit.
Bottom section of noise encapsulation	attach, detach (Model 124 only).
Air cleaner	remove, install (09-1051).
Hose clip (144)	slacken at air flow sensor (B2/1) and detach intake hose (167), fit on.
Partition wall between trap oxidizer and air cleaner	remove, install (9 bolts) of which 6 accessible from above, 3 accessible from below (refer to instruction).
Vacuum line red/violet/brown on ARF valve (60) and red/violet/blue on air recirculation valve	detach, fit on.
Clip (119) on corrugated pipe (61)	slacken, tighten.
ARF valve (60)	remove, install.
Trap oxidizer (139) on exhaust manifold (110) ...	unscrew, screw on.
Supporting bracket	unscrew, screw on and remove at the same time as trap oxidizer.

Bracket (157)	remove, install.
Sealing surfaces	clean.
Gasket (60b)	renew.
Screw (60a) 2 off	install, tightening torque 25 Nm.
Bolt for clip (119 a)	
Nut (139c, 6 off M10)	install, tightening torque 45 Nm.

Note

Remove, install partition wall (A) (9 bolts), of which 6 accessible from above and 3 accessible from below.

