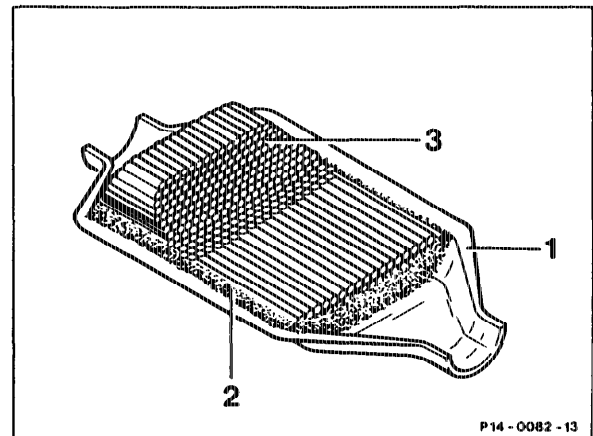
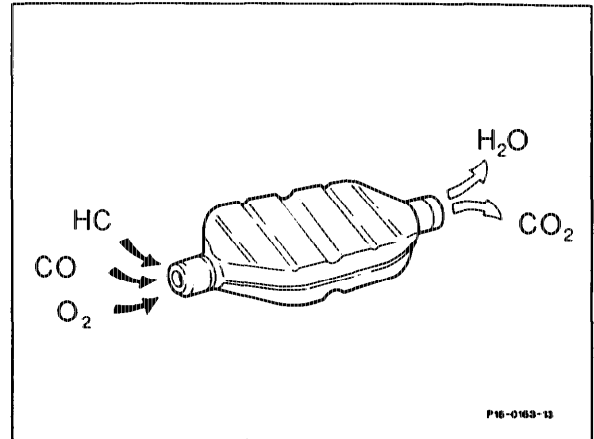


**Oxidation catalytic converter**

The oxidation catalytic converter is installed in place of the front muffler.

The catalytic converter housing and the pipe outlets are manufactured of stainless steel.

The noble metal coating of the catalytic converter activates post-oxidation in the exhaust gas, converting hydrocarbons (HC) and carbon monoxide (CO) to carbon dioxide (CO<sub>2</sub>) and water (H<sub>2</sub>O). As a result of this process, the particulate mass emitted is also less as the amount of substances adsorbed is reduced.



- 1 Housing
- 2 Wire mesh
- 3 Monolith