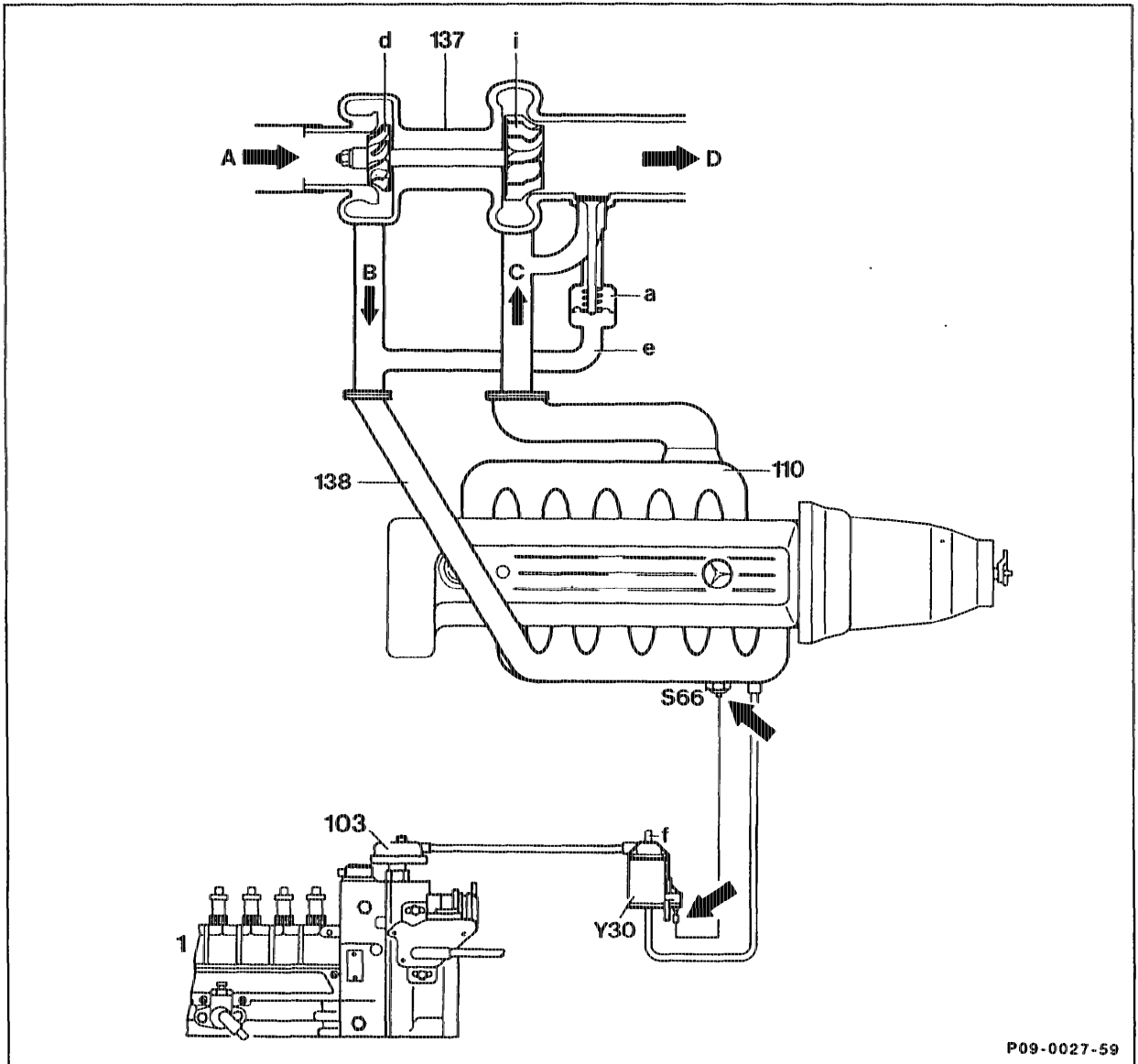


# 09-5921 Testing Engine Overload Protection (not Applicable to Engines with P2 Control)

Operation no. of operation texts and work units or standard texts and flat rates: 09-5921

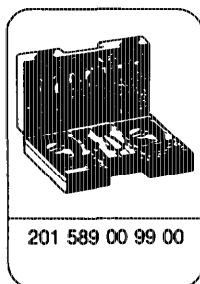


P09-0027-59

- |     |  |   |                                       |
|-----|--|---|---------------------------------------|
| 1   | Injection pump                               | a | Charge pressure control valve         |
| 103 | ALDA unit                                    | d | Compressor wheel                      |
| 110 | Exhaust manifold                             | e | Control line                          |
| 137 | Exhaust gas turbocharger                     | f | Air admission                         |
| 138 | Charge air pipe                              | i | Turbine wheel                         |
| S66 | Pressure switch, engine overload protection  | A | Compressor inlet (fresh air)          |
| Y30 | Switchover valve, engine overload protection | B | Compressor outlet (precompressed air) |
|     |  | C | Exhaust gases to turbine wheel        |
|     |  | D | Exhaust outlet                        |

- 2-pin connector on switchover valve (Y30) . . . . . detach and briefly energize with voltage. The switchover valve must be heard to click; renew if necessary.
- 1-pin connector on pressure switch (S66) . . . . . detach and test for continuity with ohmmeter. The pressure switch (S66) is open in the off state.
- Engine overload protection switch (S66) . . . . . remove.  
 Connect pressure switch to cable of nozzle tester KDJE-P 400.  
 Connect ohmmeter to pin of pressure switch and to housing. Build up pressure of  $1.1 \pm 0.15$  bar at nozzle tester; the pressure switch must not have any continuity. Replace pressure switch if necessary.

**Special tools**



**Commercially available tools and testers**

Designation	e. g. make, order no.
Digital multimeter	Sun, DMM 5
Valve tester	Bosch, KDJE-P 400 (Bosch Order Designation)
Optionally 0–6 bar pressure gauge	Bosch No. 1687 231 000
Optionally nozzle tester EFEP 60H	Bosch No. 0684 200 700