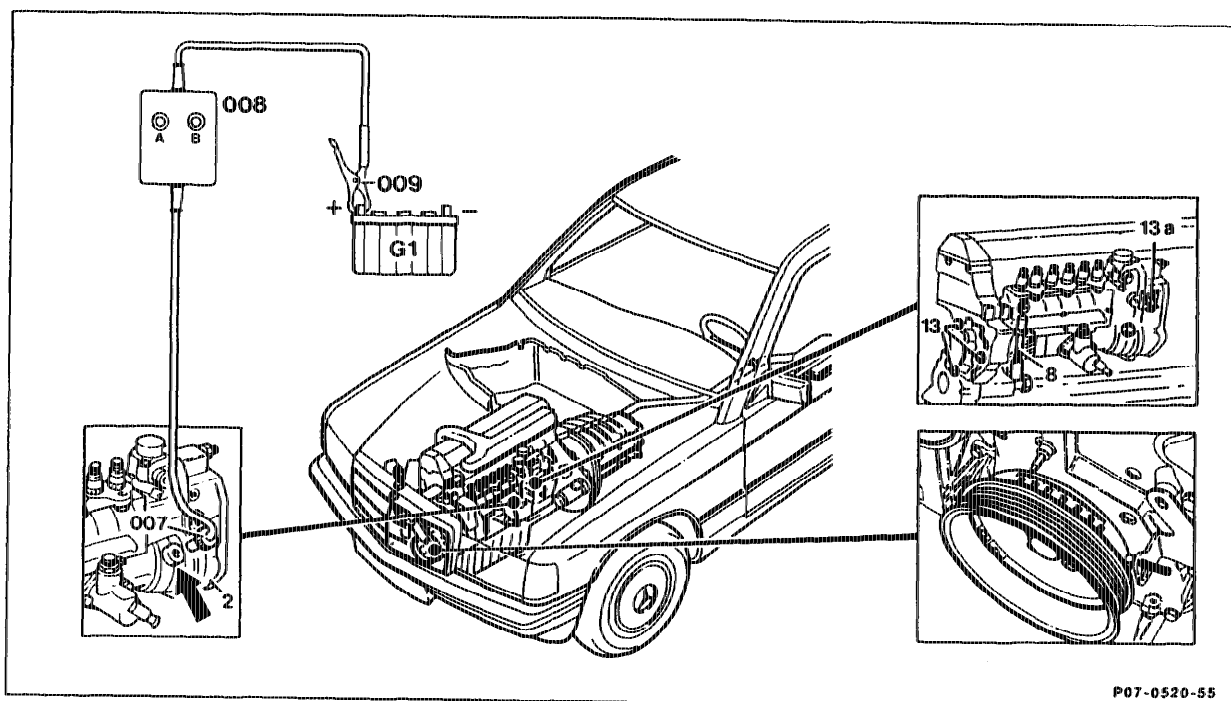


## 07.1-8300 Adjusting Start of Delivery Following Test

Preceding work:  
Testing start of delivery (07-8240).

Operation no. of operation texts and work units or standard texts  
and flat rates: 07-8300

### A. With position sensor (RIV method)

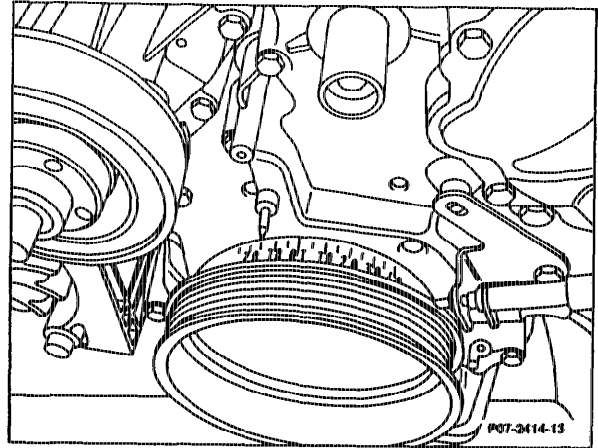


Crankshaft .....	turn in direction of rotation to 15° ATDC of cylinder 1.
Fastening bolts (13 and 13a) .....	on injection pump flange and on supporting bracket, slacken, tightening torque 20–25 Nm.
Indicating instrument (008) and terminal (009) ...	connect.
Injection pump .....	swivel by turning adjusting screw (8) on start of delivery adjusting device until both lamps "A and B" in indicating instrument (008) light up. <b>Direction of rotation of adjusting screw (8) on start of delivery adjusting device</b> To right = start of delivery retarded To left = start of delivery advanced RI specification 15° ATDC.
Position sensor (007) .....	remove.
Screw plug (arrow) .....	screw in.
Accelerator control linkage .....	check, adjust if necessary (30–1010).
Leaktightness test .....	perform with engine running.
Engine oil level .....	check, correct if necessary.

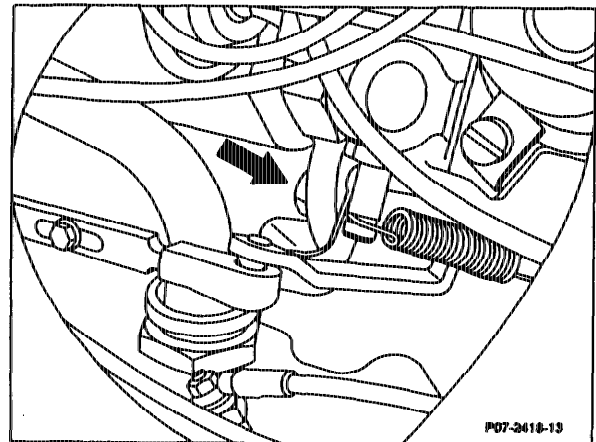
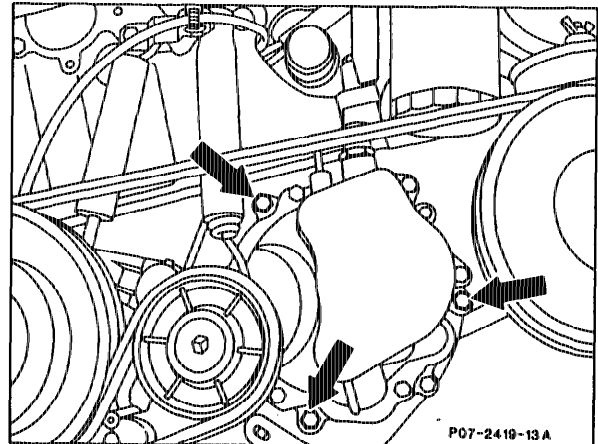


## Adjusting

1 Turn crankshaft in direction of rotation to 15° ATDC of cylinder 1.



2 Slacken fastening bolts (arrows) on injection pump flange and on supporting bracket.



Bolt on supporting bracket (arrow)

3 Connect indicating instrument (008) and terminal (009) to battery positive.

4 Swivel injection pump by turning the adjusting screw (arrow) on the start of delivery adjusting device until both lamps light up.

**Direction of rotation of adjusting screw**

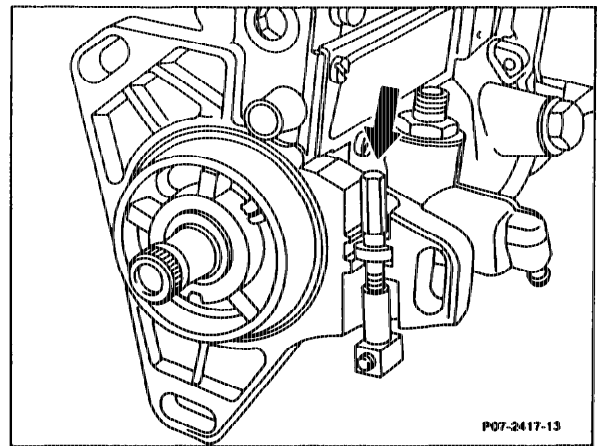
To right = start of delivery retarded

To left = start of delivery advanced

RI specification:  $15^{\circ} \pm 1^{\circ}$  ATDC

**Note**

If the adjustment facility is not adequate, the injection pump must be repositioned. Remove, install injection pump (07.1-8410).



5 Tighten fastening bolts on injection pump flange and on supporting bracket. Tightening torque 20–25 Nm.

6 Remove position sensor.

7 Screw in plug. Tightening torque 30–35 Nm.

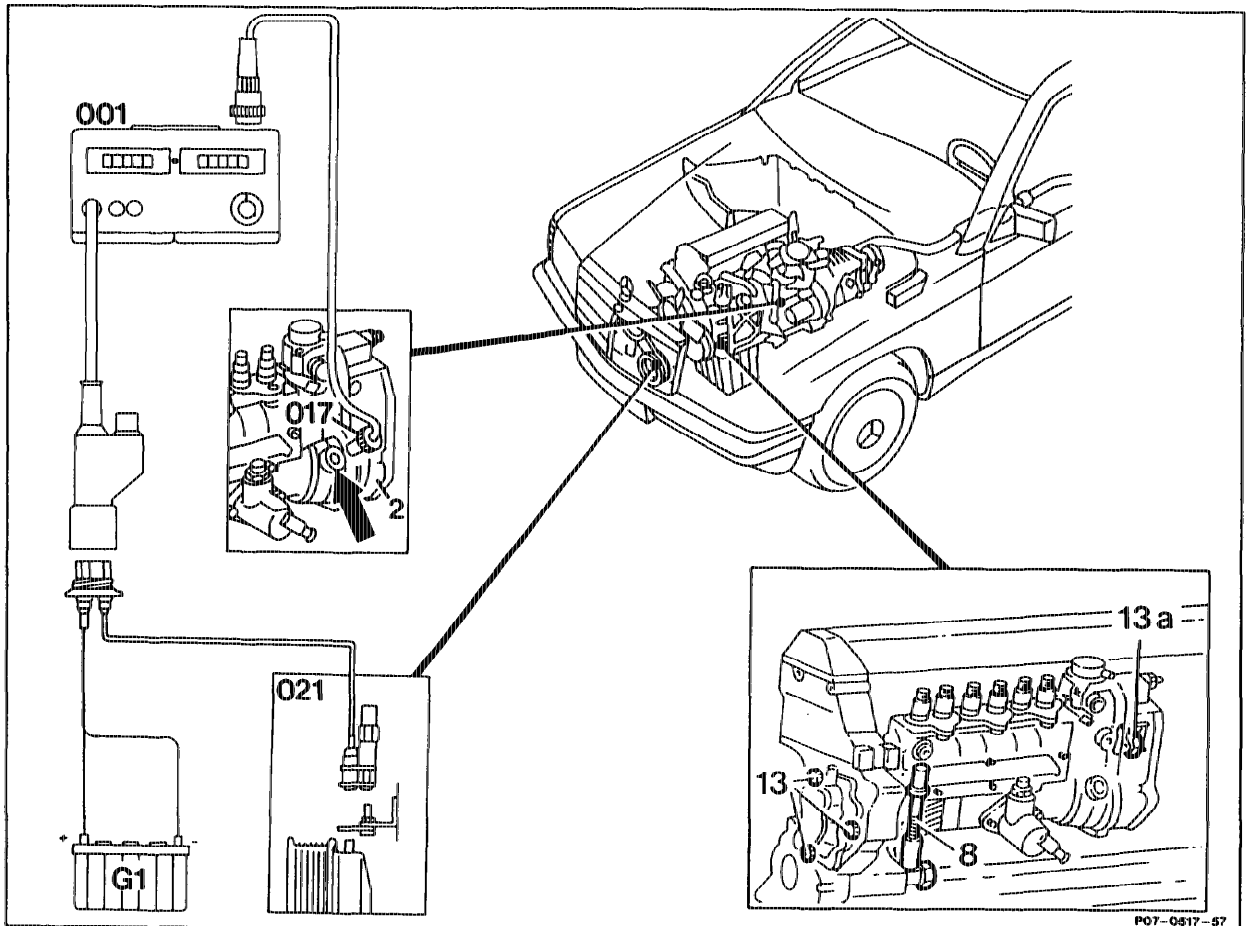
8 Check accelerator control linkage, adjust if necessary (30-1010).

9 Perform leaktightness test with engine running.

10 Check engine oil level, correct if necessary.

## B. With digital tester (RIV method)

Preceding work:  
Testing start of delivery (07-8244)

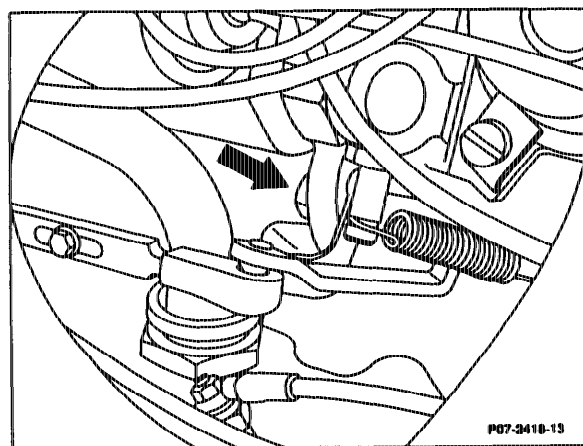
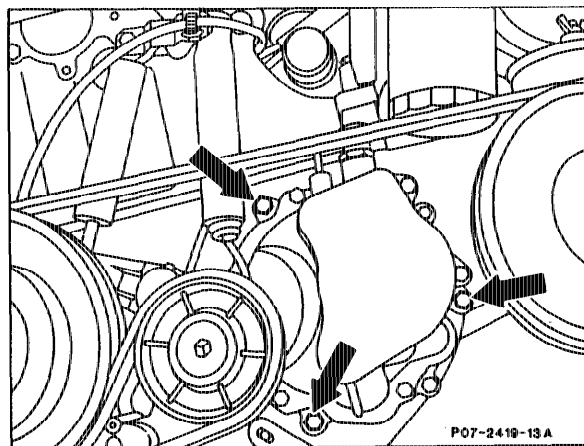


Fastening bolts (13 and 13a) on injection pump flange and on supporting bracket .....	slacken.
Engine .....	run at idling speed.
RI value (indirect start of delivery) .....	set by turning adjusting device (8).
	<b>Direction of rotation of adjusting device (8) or screw</b>
	To right = start of delivery retarded
	To left = start of delivery advanced
	RI specification $15^\circ \pm 1^\circ$ ATDC.
Engine .....	switch off.
Fastening bolts (13 and 13a) on injection pump flange and on supporting bracket .....	tighten, tightening torque 20-25 Nm.

Tester (001) .....	disconnect.
Screw plug (arrow) on governor .....	screw in, tightening torque 30–35 Nm.
Accelerator control linkage .....	check, adjust if necessary (30–1010).
Leaktightness test .....	perform with engine running.
Engine oil level .....	check.

**Adjusting**

1 Slacken fastening bolts (arrows) on the injection pump flange and also on the supporting bracket.



Bolt on supporting bracket (arrow)

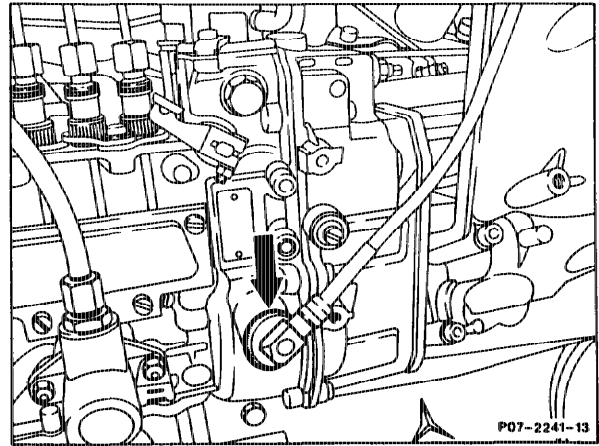
- 2 Run engine at idling speed.
- 3 Set RI value (indirect start of delivery) by turning the adjusting screw on the start of delivery adjusting device.

**Direction of rotation of adjusting screw**

To right = start of delivery retarded

To left = start of delivery advanced

RI specification:  $15^\circ \pm 1^\circ$  ATDC.



**Note**

If the adjustment facility is not adequate, the injection pump can be repositioned. Remove, install injection pump (07.1-8410).

- 4 Switch off engine.
- 5 Disconnect tester.
- 6 Screw in plug on governor, tightening torque 30–35 Nm.
- 7 Tighten fastening bolts on injection pump flange and on supporting bracket. Tightening torque 20–25 Nm.
- 8 Check accelerator control linkage, adjust if necessary (30-1010).
- 9 Perform leaktightness test with engine running.
- 10 Check engine oil level, correct if necessary.