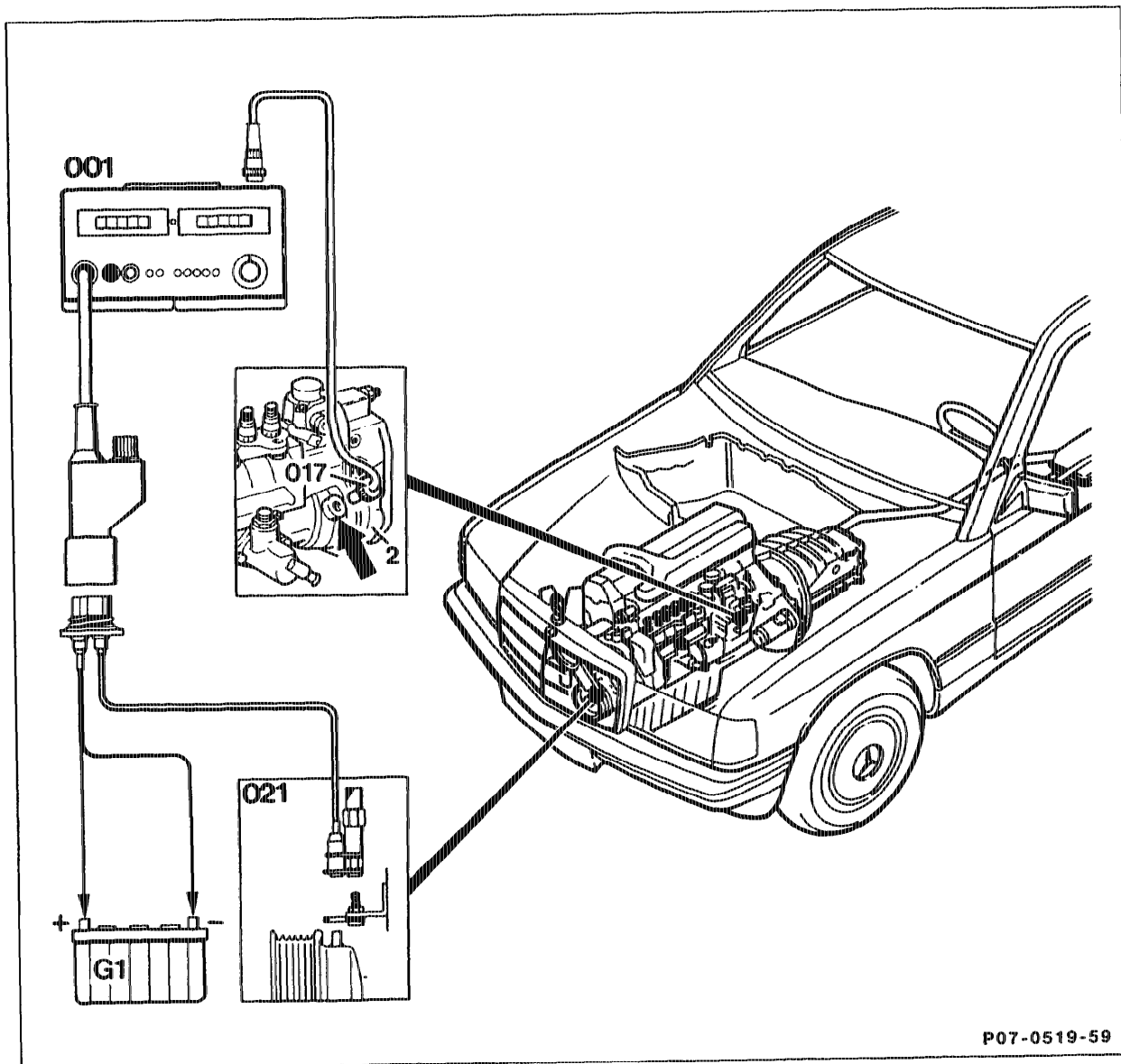


07.1-8244 Testing Start of Delivery with Digital Tester (RIV Method)

Operation no. of operation texts and work units or standard texts and flat rates: 07-8244 or 07-8245



P07-0519-59

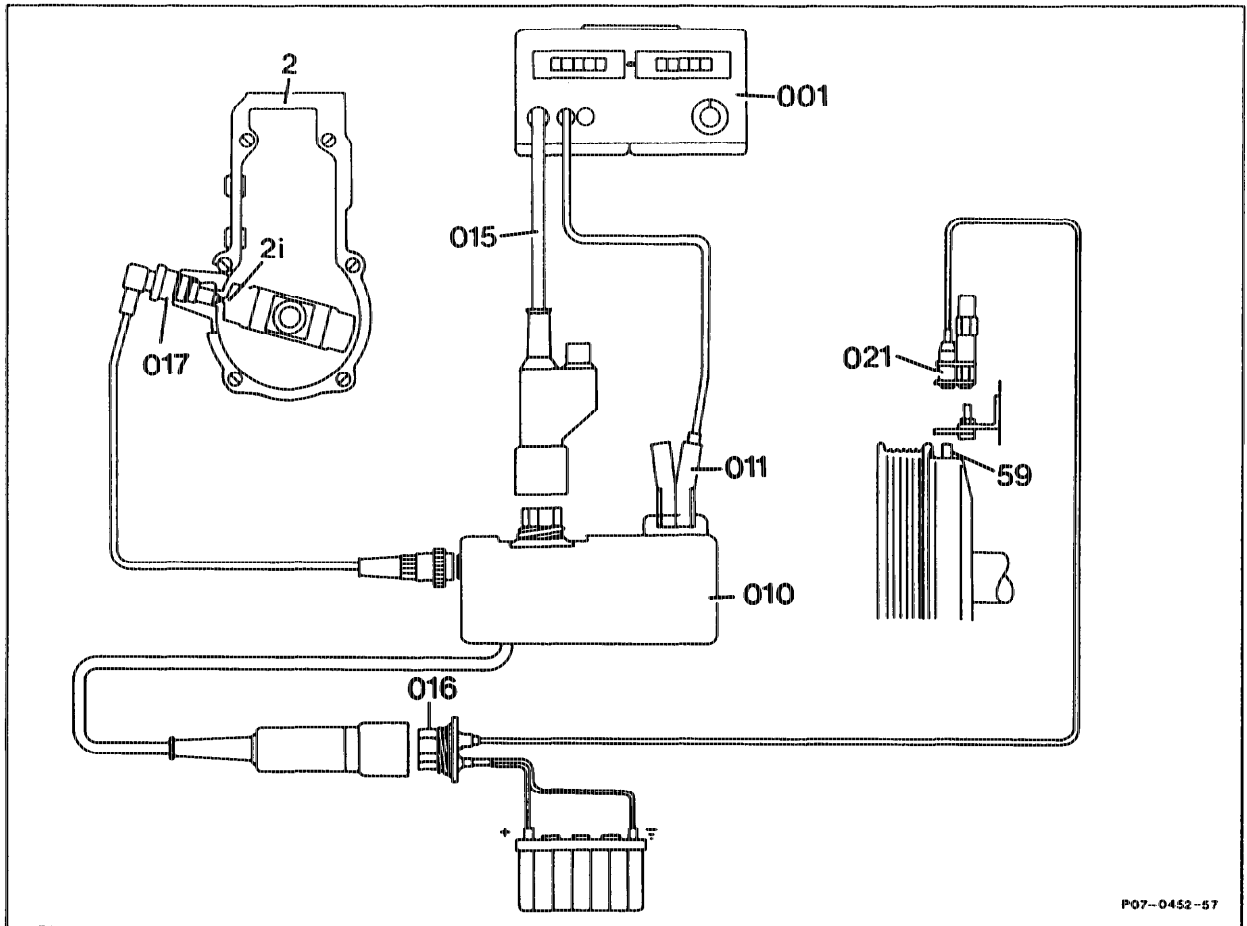
- | | |
|--|---|
| Screw plug (arrow) on governor housing (2) | unscrew, tightening torque 30-35 Nm. |
| Testers (001, 017, 021) | connect. |
| Engine | run at idling speed, read off RI value, adjust start of delivery if necessary (07-8300, section "B"). |

Test and adjustment data

Engine	Start of delivery (governor pulse) test value, ° ATDC
602.96	15 ± 1
603.96	15 ± 1
602.962 Ⓐ as of 09/89 and Basic Version Code 62/0 as of 06/91, Ⓐ Ⓕ Ⓖ Ⓗ Ⓙ as of Model Year 1991	14 ± 0.5
603.96 Basic Version Code 62/0 as of 06/91, Ⓐ Ⓕ as of Model Year 1991	14 ± 0.5
603.97 Ⓐ as of 09/89	14 ± 0.5

Commercially available tools and testers

Designation	e. g. make, order no.
Used without adapter	
Digital testers	Bosch, ETD 019.002 Sun, DIT 9100 AVL, Diesel-Tester 873
Used with adapter	
Digital tester	Bosch, MOT 001.03

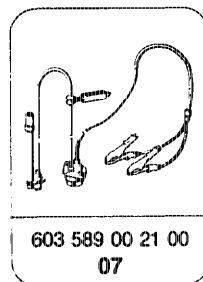
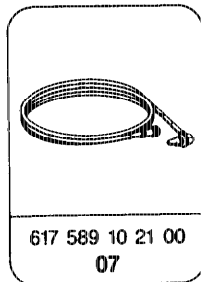
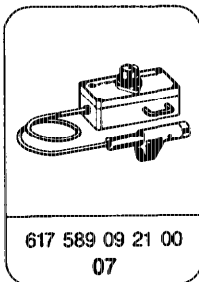


P07-0452-57

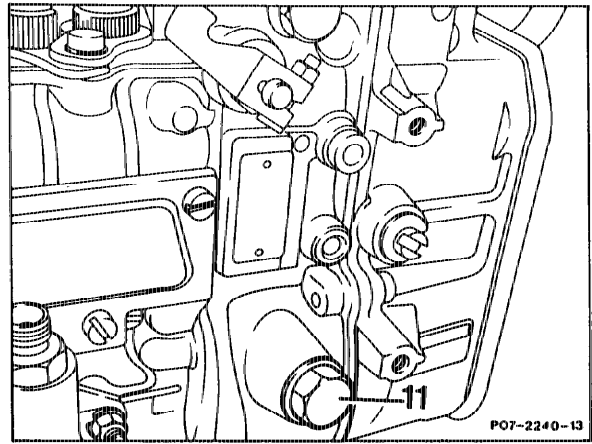
Connection diagram for available testers with adapter

001	Digital tester	017	RI generator
010	Adapter	021	TDC pulse generator
011	Trigger clamp	2	Governor
015	Test cable with connector	2i	RI generator pin
016	Diagnostic socket	59	TDC generator pin

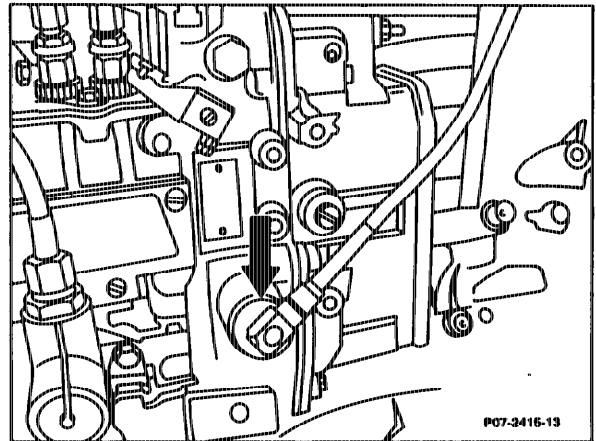
Special tools



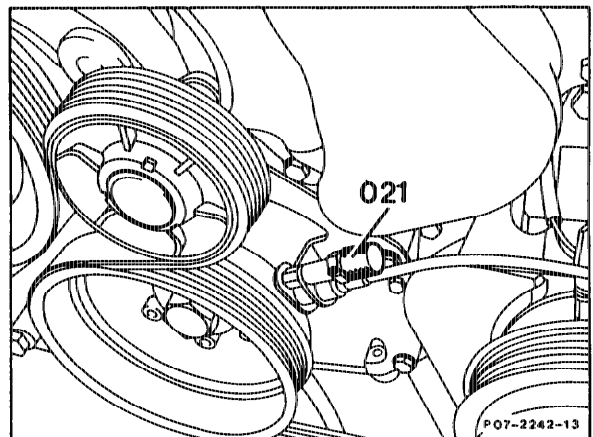
1 Unscrew plug (11) on the governor housing.



2 Screw in RI generator (017, arrow) at governor (injection pump).



3 Screw in TDC pulse generator (021) at bracket (engine).



- 4 Connect digital tester as shown in connection diagram.
- 5 Run engine at idling speed, read off RI value (indirect start of delivery) at the digital tester at idle speed and compare with specification. Adjust start of delivery if necessary (07.1–8300, section "B").
- 6 Switch off engine.
- 7 Disconnect digital tester.
- 8 Screw in plug at governor. Tightening torque 30–35 Nm.
- 9 Perform leaktightness check with engine running.
- 10 Check engine oil level, correct if necessary.

