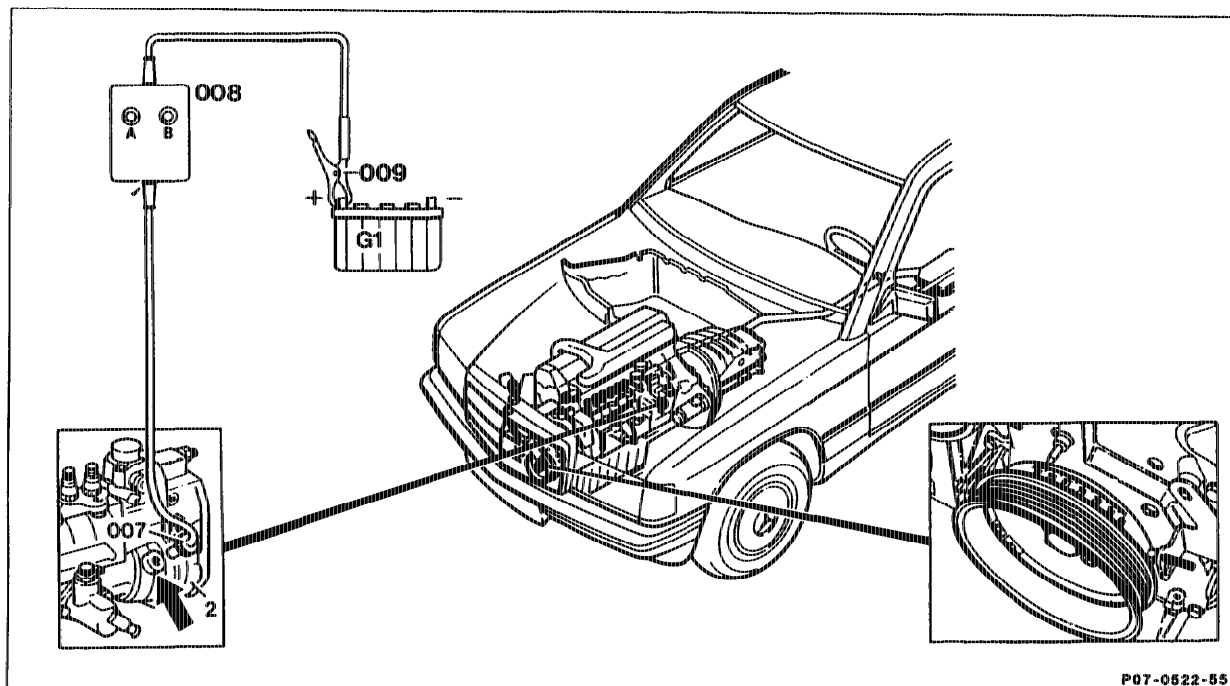


07.1-8240 Testing Start of Delivery with Position Sensor

Operation no. of operation texts and work units or standard texts
and flat rates: 07-8240 or 07-8243



P07-0622-55

Screw plug (arrow) on governor housing (2)	unscrew, tightening torque 30-35 Nrn.
Position sensor (007)	screw in.
Battery terminal (009)	connect to B +.
Crankshaft	rotate by hand until lamps "A" and "B" on indicating instrument (008) light up simultaneously. Read off start of delivery on scale, adjust if necessary (07.1-8300, section "A") RI value (indirect start of delivery).

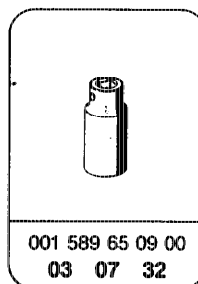
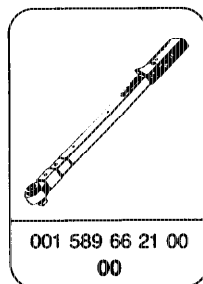
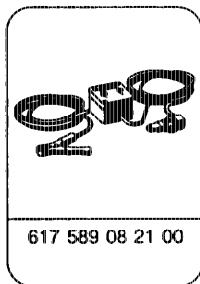
Note

Remove fan and fan shroud if necessary for cranking the engine, install.

Test and adjustment data

Engine	Start of delivery (governor pulse) test value, ° ATDC
602.96	15 ± 1
603.96	15 ± 1
602.962 USA as of 09/89, Basic Version Code 62/0 as of 06/91, A FIN CH DK as of Model Year 1991	14 ± 0.5
603.96 Basic Version Code 62/0 as of 06/91, A FIN as of Model Year 1991	14 ± 0.5
603.97 USA as of 09/89	14 ± 0.5

Special tools

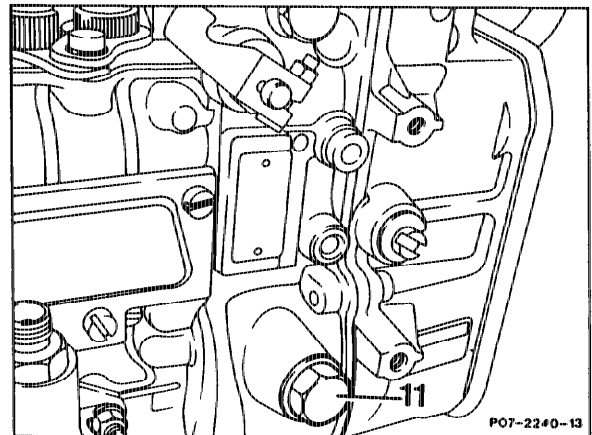


Testing

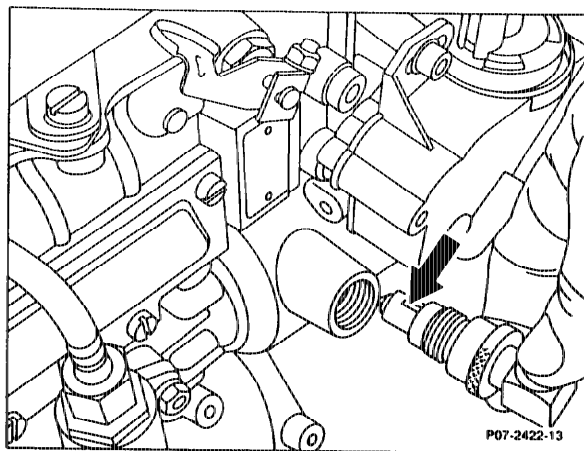
1 Unscrew plug (11).



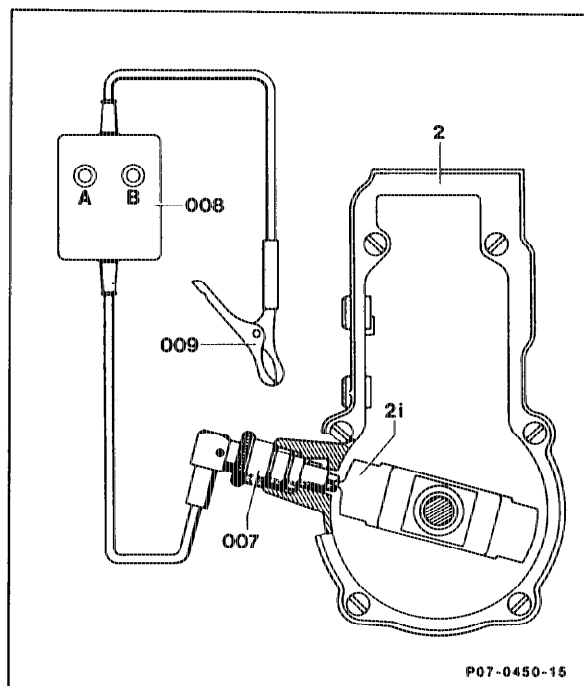
Collect oil which flows out.



2 Screw position sensor into governor housing, ensuring that the guide pin of the position sensor (arrow) is facing upward. Tighten union nut by hand.



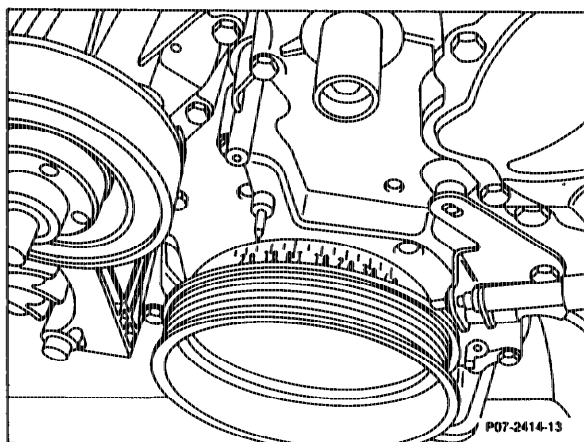
3 Connect position sensor as shown in connection diagram.



- 007 Position sensor
- 008 Indicating instrument
- 009 Battery terminal (battery positive)
- 2 Governor
- 2i Flyweight (RI generator pin)

4 Use special tool to turn crankshaft by hand (in direction of rotation only) until lamp "B" lights up. Turn on carefully until **both lamps "A + B"** light up. In this position, read off RI value (indirect start of delivery) on the scale and compare with specification.

If only lamp "A" lights up, repeat the test. Adjust start of delivery if necessary (07.1-8300, section "A").



- 5 Remove position sensor.
- 6 Screw in plug.
Tightening torque 30–35 Nm.
- 7 Perform leaktightness inspection with engine running.
- 8 Check engine oil level, correct if necessary.