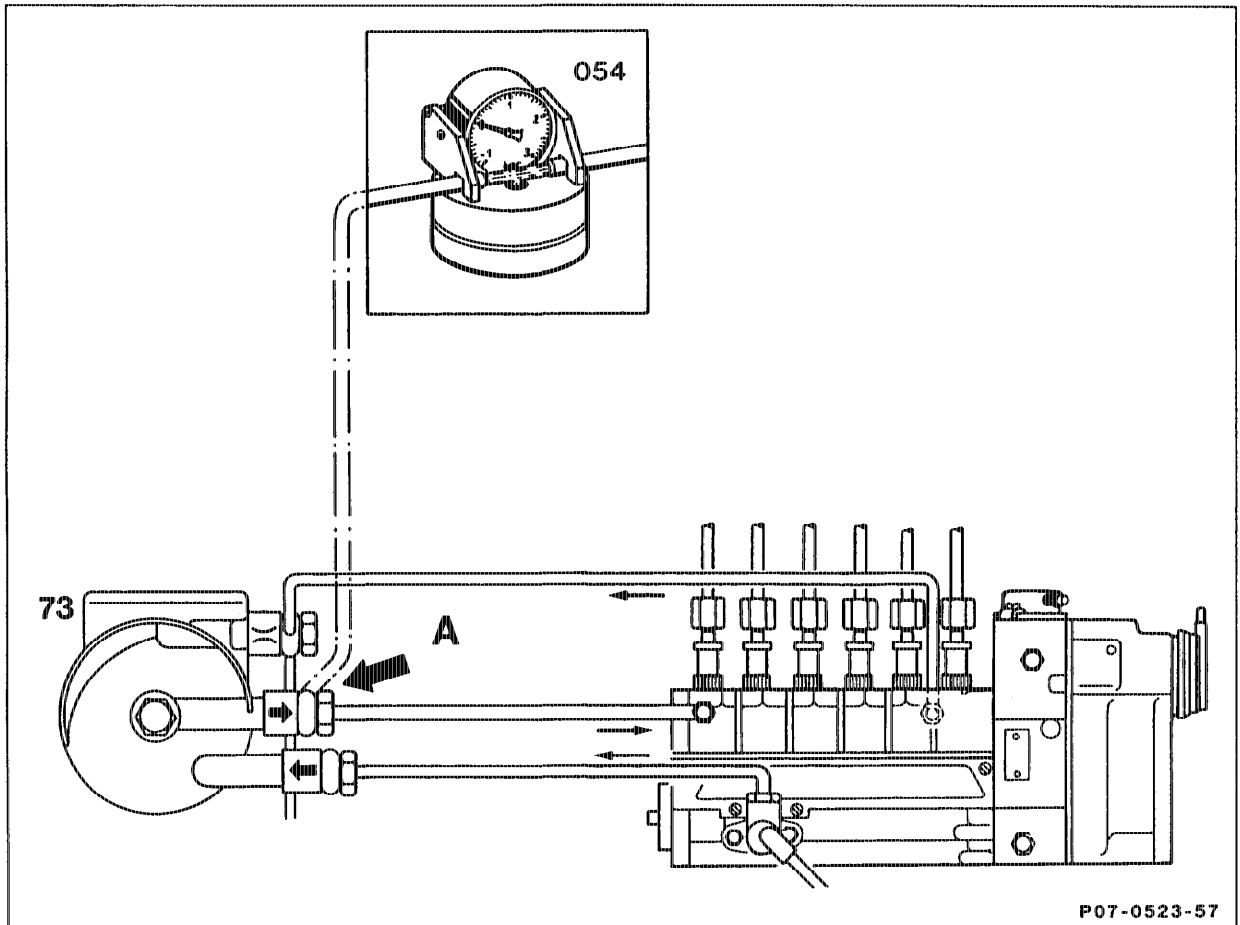


## 07.1-5702 Testing Fuel Pressure (after Testing Delivery)

Preceding work:  
Testing delivery (07.1-5701)

Operation no. of operation texts and work units or standard texts  
and flat rates: 07-5702



Fuel line "A" at top part of filter (73) .....	unscrew, screw on.
Tester (054) .....	connect, disconnect.
Engine .....	run.

Specifications at idling speed >0.3 bar, at full load >0.5 bar. If the specifications are not achieved, replace fuel filter and/or delivery pump.

Special tools

