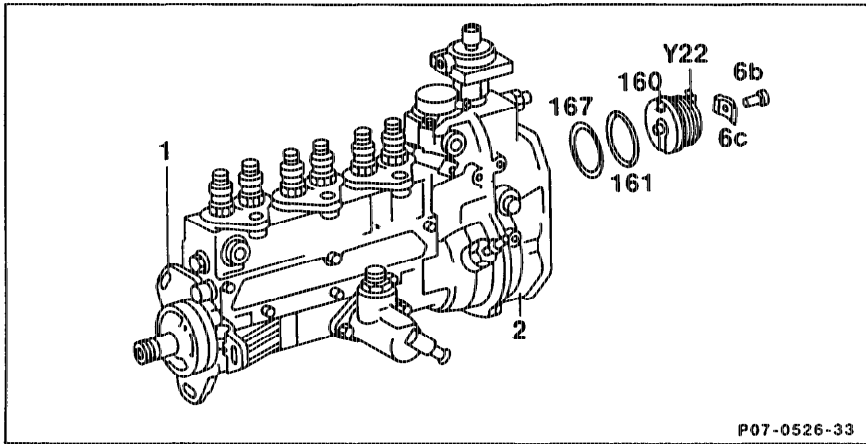


07.1-1855 Replacing Actuator of Electronic Idle Speed Control (ELR)

Preceding work:

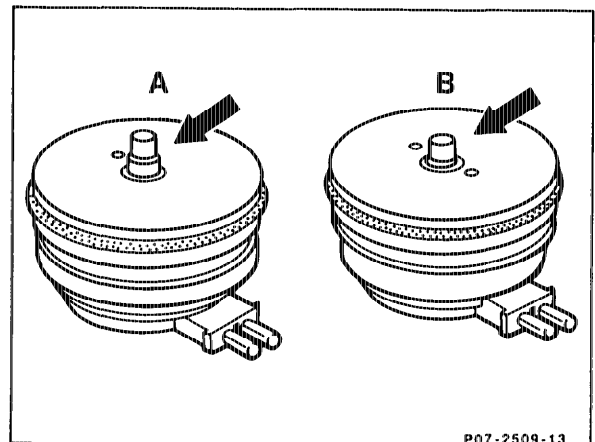
Operation no. of operation texts and work units or standard texts and flat rates: 07-1855



P07-0526-33

Screws (6b)	remove, install, (use TORX T30).
Bracket (6c)	remove, install.
Actuator (Y22) with intermediate plate (160)	remove, install, electrical connection must be facing upwards.
O-ring (161)	renew.
Shim (167)	remove, install.

Distinguishing features between ARA and ELR actuators



- A ELR actuator (red), fixed lifting rod (arrow)
- B ARA actuator (black or grey) loose lifting rod (arrow)

P07-2509-13