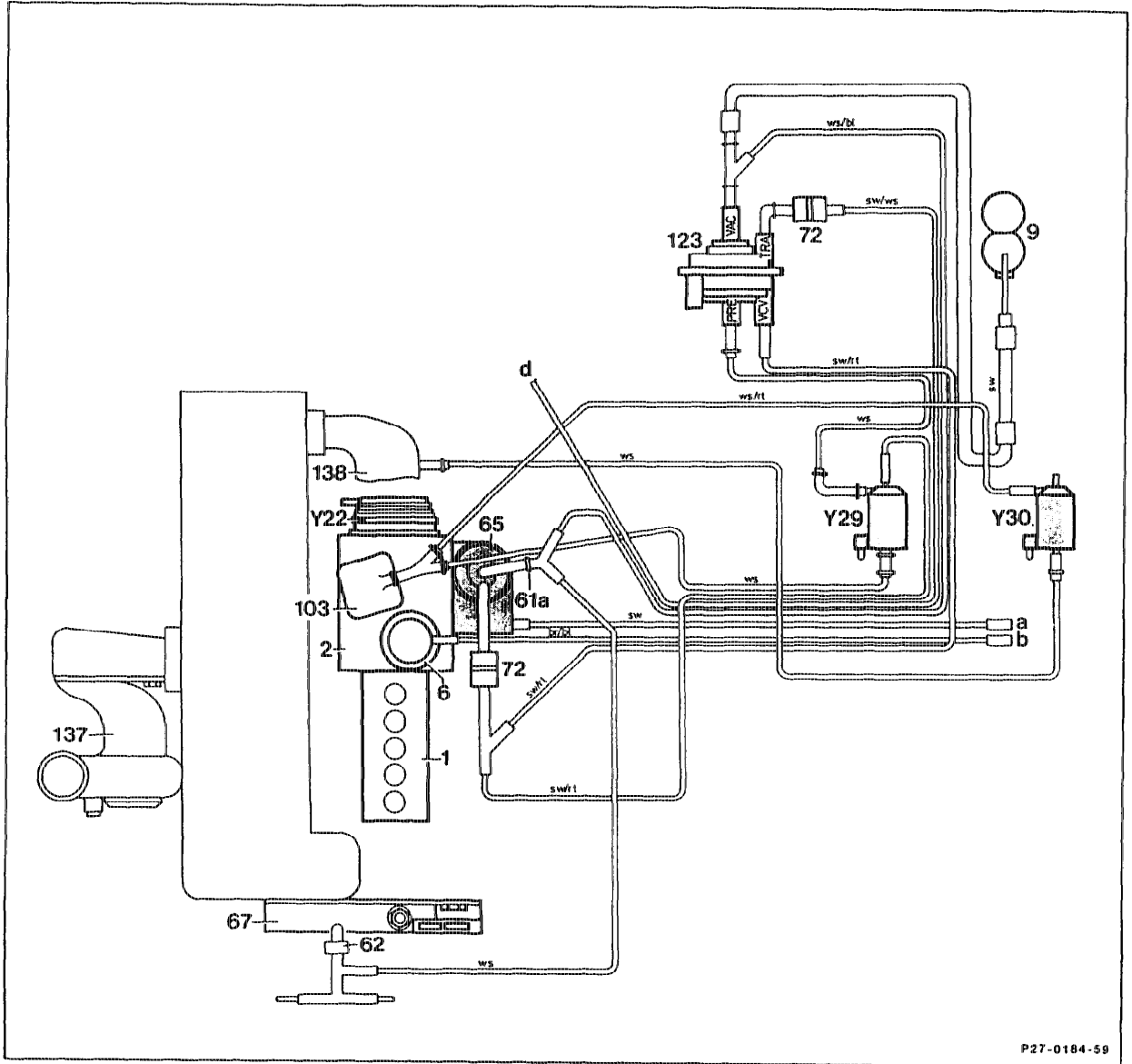
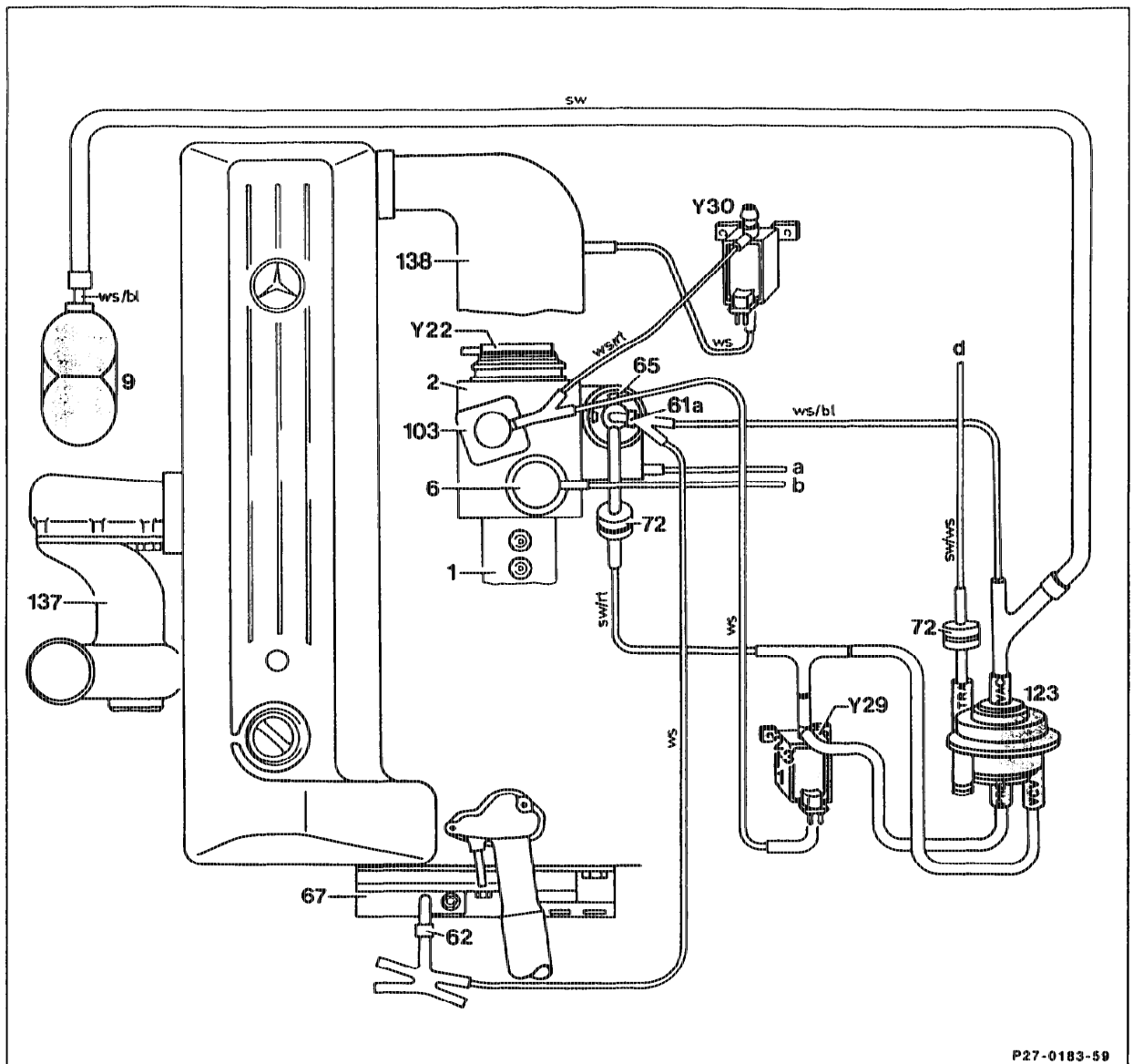


07.1-0500 Vacuum Circuit Diagrams



Pressure and Vacuum Line Routing Engine 602.961 Standard Model 201

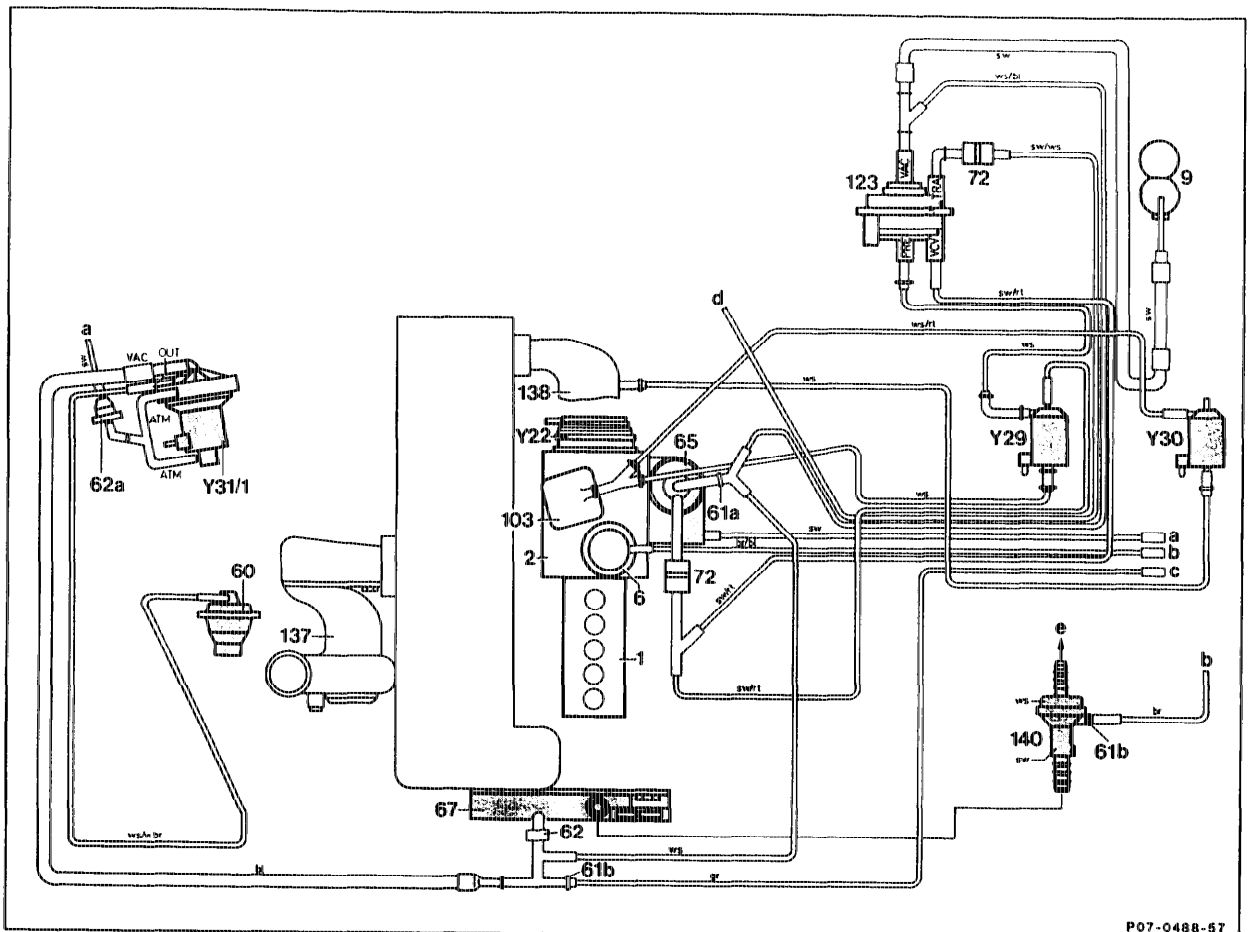
1	Injection pump	Y22	ELR actuator
2	Governor	Y29	Vacuum amplifier switchover valve, automatic transmission
6	Vacuum unit stop		
9	Vacuum reservoir (in left front wheelhouse behind plastic cover)	Y30	Switchover valve, engine overload protection
61a	Restriction	a	Ventilation to passenger compartment
62	Filter	b	Key shut-off
65	Vacuum control valve	d	To vacuum unit, automatic transmission
67	Vacuum pump		Pressure and vacuum connections on vacuum transducer or vacuum amplifier
72	Damper		
103	ALDA unit	PRE	Charge pressure
123	Vacuum amplifier	TRA	Transmission
137	Turbocharger	VAC	Vacuum
138	Charge air distributor	VCV	Vacuum control valve



P27-0183-59

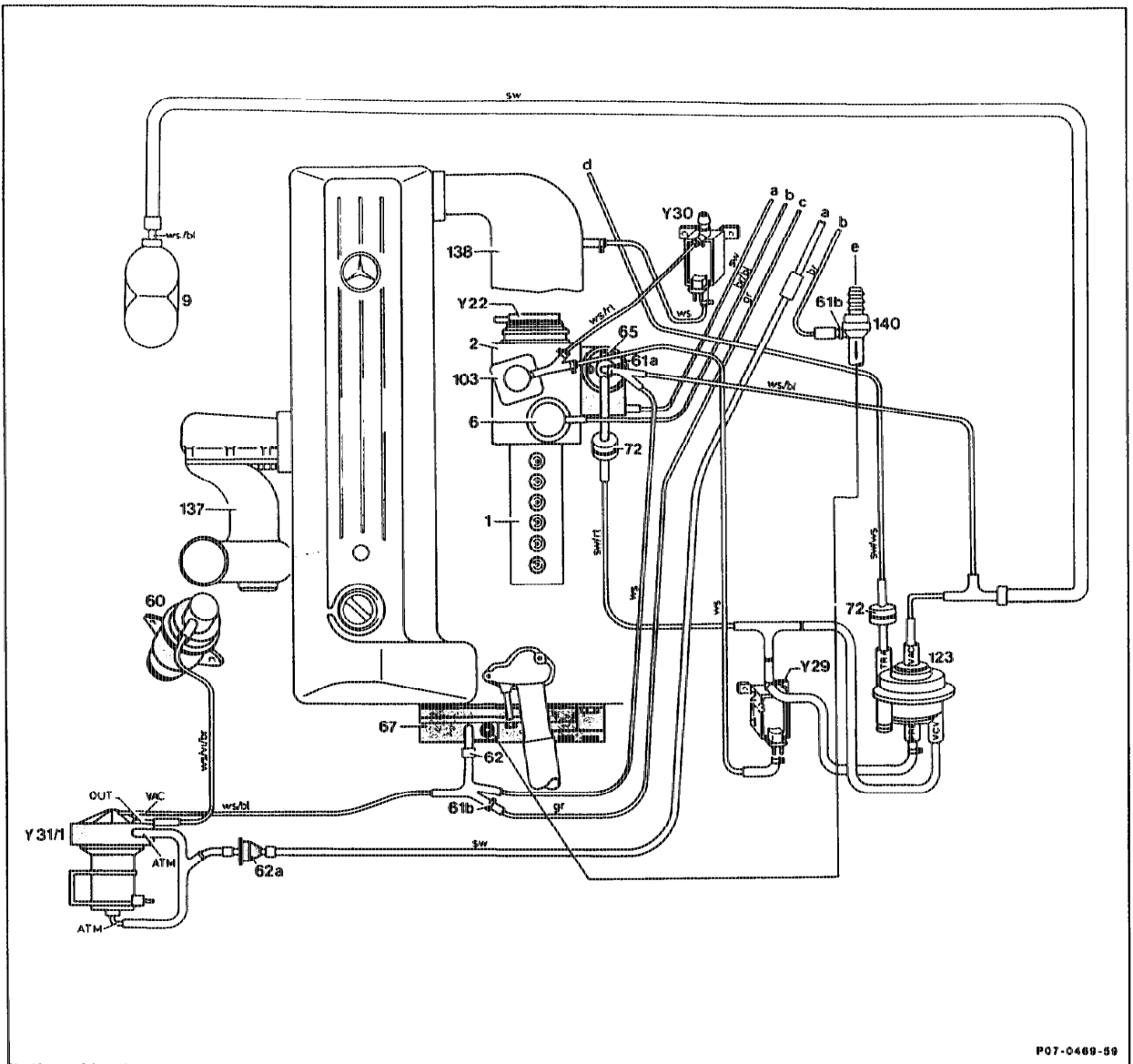
Pressure and Vacuum Line Routing Engine 603.96 Standard Model 124

1	Injection pump	Y22	ELR actuator
2	Governor	Y29	Vacuum amplifier switchover valve, automatic transmission
6	Vacuum unit stop	Y30	Switchover valve, engine overload protection
9	Vacuum reservoir (in right front wheelhouse behind plastic cover)	a	Ventilation to passenger compartment
61a	Restriction	b	Key shut-off
62	Filter	d	To vacuum unit, automatic transmission
65	Vacuum control valve		
67	Vacuum pump		
72	Damper		
103	ALDA unit		
123	Vacuum amplifier		
137	Turbocharger		
138	Charge air distributor		
			Pressure and vacuum connections on vacuum transducer or vacuum amplifier
		PRE	Charge pressure
		TRA	Transmission
		VAC	Vacuum
		VCV	Vacuum control valve



Vacuum Line Routing Electronic Diesel System Engine 602.961, Model 201 (USA) Federal Model Year 1987

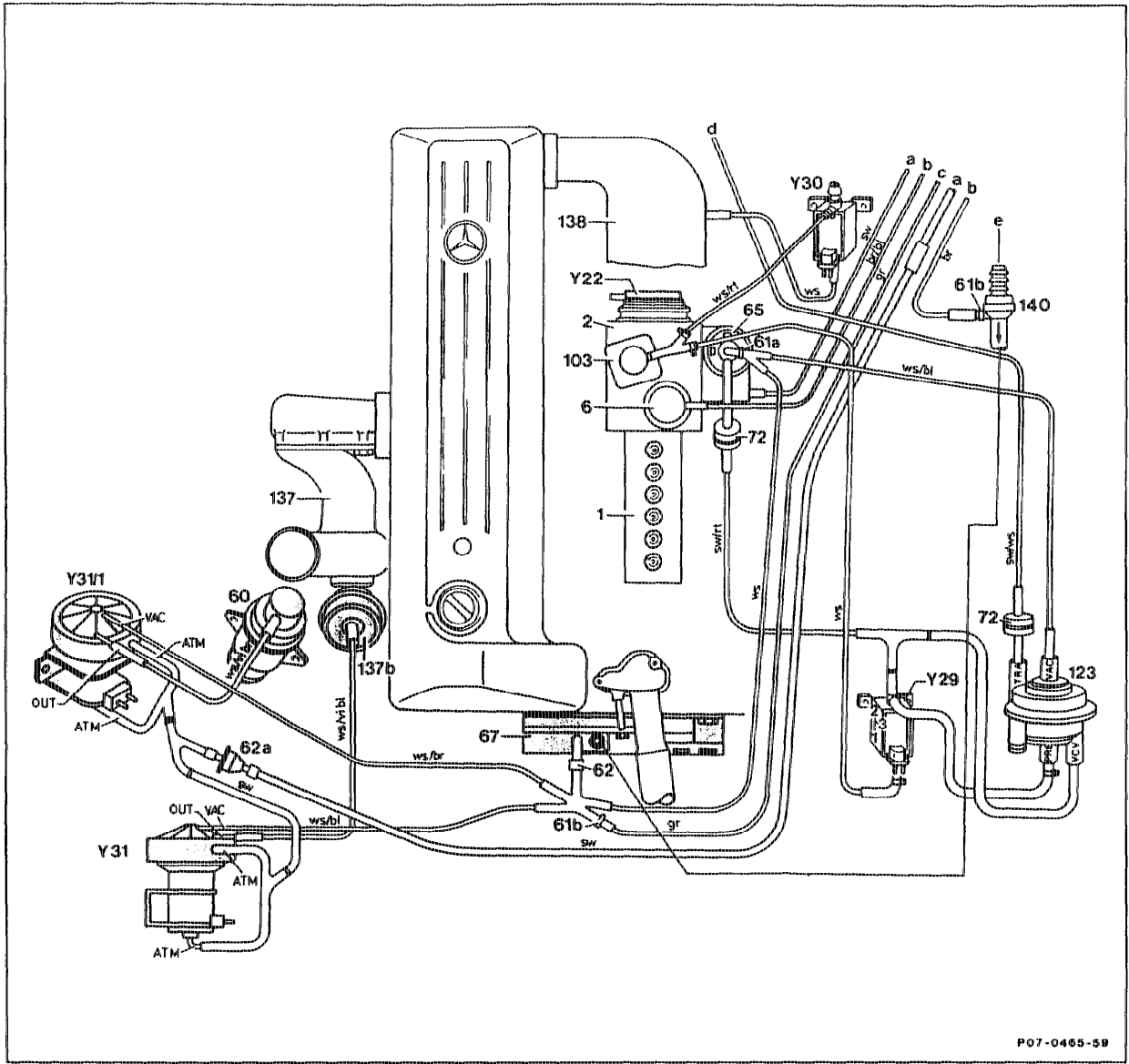
1	Injection pump	Y31/1	Vacuum transducer, exhaust gas recirculation valve
2	Governor	a	Ventilation to passenger compartment
6	Vacuum unit stop	b	Key shut-off
9	Vacuum reservoir	c	Other ancillaries
60	Exhaust gas recirculation valve	d	Vacuum unit, automatic transmission
61a	Restriction	e	Brake booster
61b	Restriction		
62	Filter		
62a	Filter		
65	Vacuum control valve		
67	Vacuum pump		
72	Damper		
103	ALDA unit		
123	Vacuum amplifier		
137	Exhaust gas turbocharger		
138	Charge air distribution pipe		
140	Non-return valve - brake booster		
Y22	ELR actuator		
Y29	Vacuum amplifier switchover valve, automatic transmission		
Y30	Switchover valve, engine overload protection		
		PRE	Charge pressure from ALDA unit
		TRA	To vacuum unit, automatic transmission
		VAC	Vacuum from vacuum pump
		VCV	To vacuum control valve
		ATM	Ventilation to passenger compartment
		OUT	Exhaust gas recirculation to exhaust gas recirculation valve
		sw	black
		bl	blue
		br	brown
		gr	grey
		vi	violet
		rt	red
		ws	white



P07-0469-59

Vacuum Line Routing Electronic Diesel System Engine 603.96 Model 124 (J)
 Model Year 1988

1	Injection pump	Y29	Vacuum amplifier switchover valve, automatic transmission
2	Governor	Y30	Switchover valve, engine overload protection
6	Stop unit	Y31/1	Vacuum transducer, exhaust gas recirculation valve
9	Vacuum reservoir	a	Ventilation to passenger compartment
60	Exhaust gas recirculation valve	b	Key shut-off
61a	Restriction	e	Other ancillaries
61b	Restriction	d	Vacuum unit, automatic transmission
62	Filter	e	Brake booster
62a	Filter		
65	Vacuum control valve		
67	Vacuum pump		
72	Damper		
103	ALDA unit		
123	Vacuum amplifier		
137	Exhaust gas turbocharger		
138	Charge air distribution pipe		
140	Non-return valve - brake booster		
Y22	ELR actuator		
			Pressure and vacuum connections to vacuum transducer or vacuum amplifier
		TRA	To vacuum unit, automatic transmission
		VAC	Vacuum from vacuum pump
		VCV	To vacuum control valve
		ATM	Ventilation to passenger compartment
		OUT	Exhaust gas recirculation to exhaust gas recirculation valve or recirculating air valve



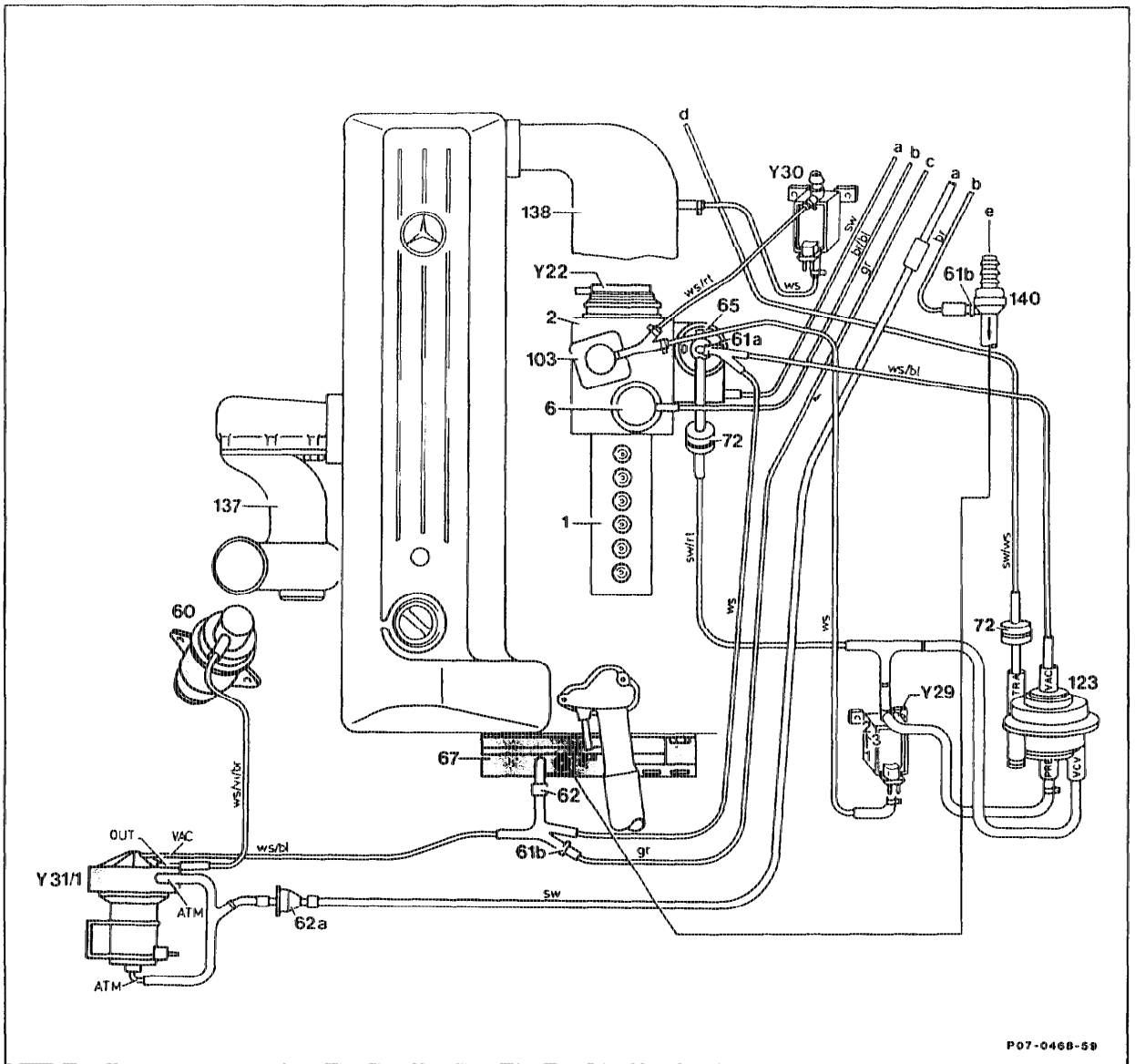
P07-0465-59

Vacuum Line Routing Electronic Diesel System

Engine 603.96 Model 124 (USA) Federal and California from Model Year 1987,

Engine 603.96 Model 126 California from Model Year 1987

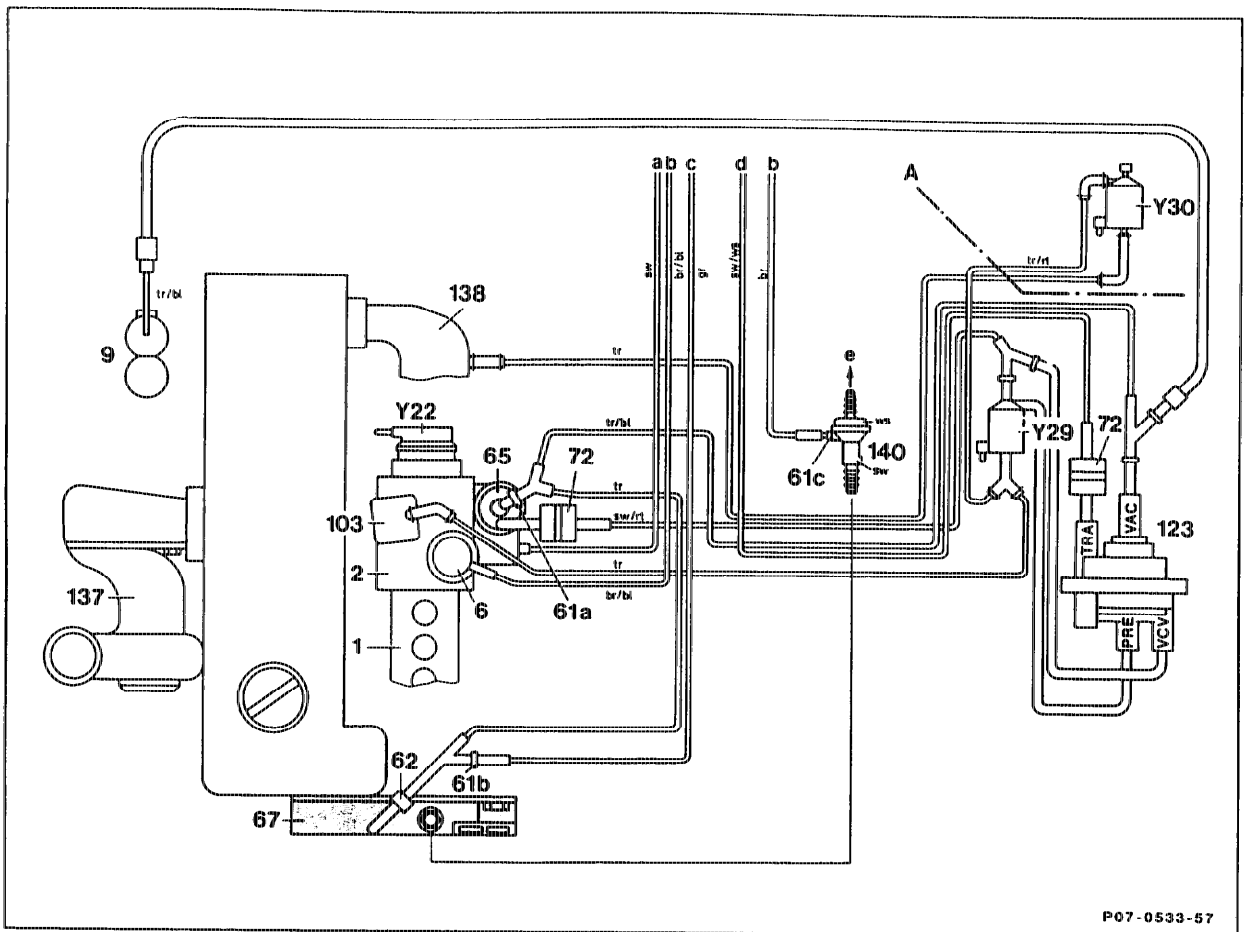
1	Injection pump	Y31/1	Vacuum transducer, exhaust gas recirculation valve
2	Governor		
6	Stop unit	a	Ventilation to passenger compartment
60	Exhaust gas recirculation valve	b	Key shut-off
61a	Restriction, blue	c	Other ancillaries
61b	Restriction, orange	d	Vacuum unit, automatic transmission
61c	Restriction	e	Key shut-off
61d	Restriction	f	Brake booster
62	Filter		
62a	Filter		Pressure and vacuum connections to vacuum transducer or vacuum amplifier
62c	Ventilation filter		
65	Vacuum control unit	PRE	Charge pressure from ALDA unit
67	Vacuum pump	TRA	To vacuum unit, automatic transmission
72	Damper	VAC	Vacuum from vacuum pump
103	ALDA unit	VCV	To vacuum control valve
123	Vacuum amplifier	ATM	Ventilation to passenger compartment
137	Exhaust gas turbocharger	ARF	Exhaust gas recirculation to exhaust gas recirculation valve or recirculating air valve
137b	Recirculating air valve		
138	Charge air distribution pipe	sw	black
140	Non-return valve – brake booster	bl	blue
Y22	ELR actuator	be	brown
Y29	Vacuum amplifier switchover valve, automatic transmission	gr	grey
Y30	Switchover valve, engine overload protection	vi	violet
Y31	Vacuum transducer, recirculating air valve	rt	red
		ws	white



Vacuum Line Routing Electronic Diesel System Engine 603.96, Model 126 (USA) Federal
 Model Year 1986

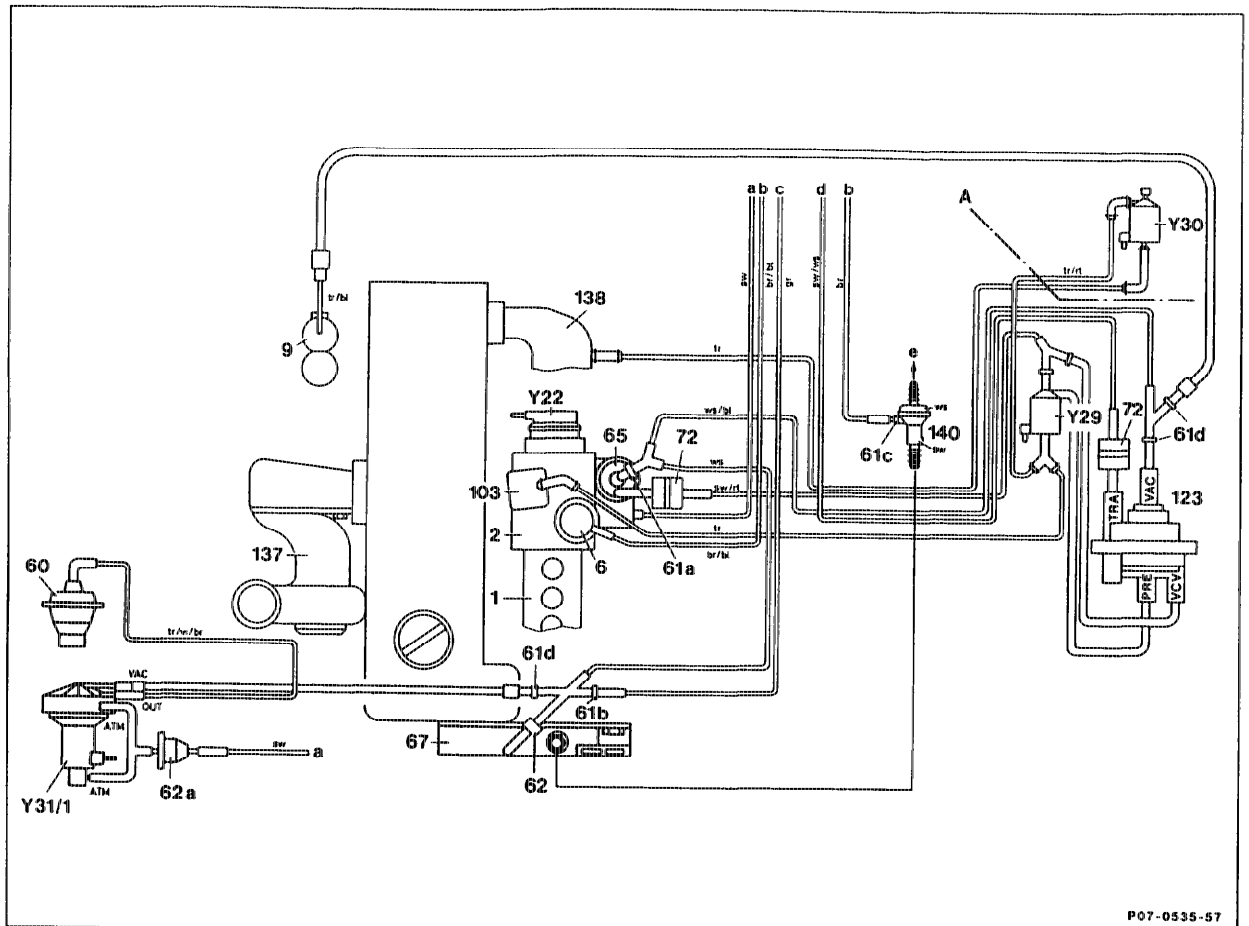
1	Injection pump	Y31/1	Vacuum transducer, exhaust gas recirculation valve
2	Governor		
6	Stop unit	a	Ventilation to passenger compartment
60	Exhaust gas recirculation valve	b	Key shut-off
61a	Restriction, blue	c	Other ancillaries
61b	Restriction, orange	d	Vacuum unit, automatic transmission
61c	Restriction	e	Key shut-off
61d	Restriction	f	Brake booster
62	Filter		
62a	Filter		Pressure and vacuum connections to vacuum transducer or vacuum amplifier
62c	Ventilation filter		
65	Vacuum control valve	PRE	Charge pressure from ALDA unit
67	Vacuum pump	TRA	To vacuum unit, automatic transmission
72	Damper	VAC	Vacuum from vacuum pump
103	ALDA unit	VCV	To vacuum control valve
123	Vacuum amplifier	ATM	Ventilation to passenger compartment
137	Exhaust gas turbocharger	EGR	Exhaust gas recirculation to exhaust gas recirculation valve or recirculating air valve
137b	Recirculating air valve		
138	Charge air distribution pipe	sw	black
140	Non-return valve – brake booster	bl	blue
Y22	ELR actuator	be	brown
Y29	Vacuum amplifier switchover valve, automatic transmission	gr	grey
		vi	violet
Y30	Switchover valve, engine overload protection	rt	red
		ws	white





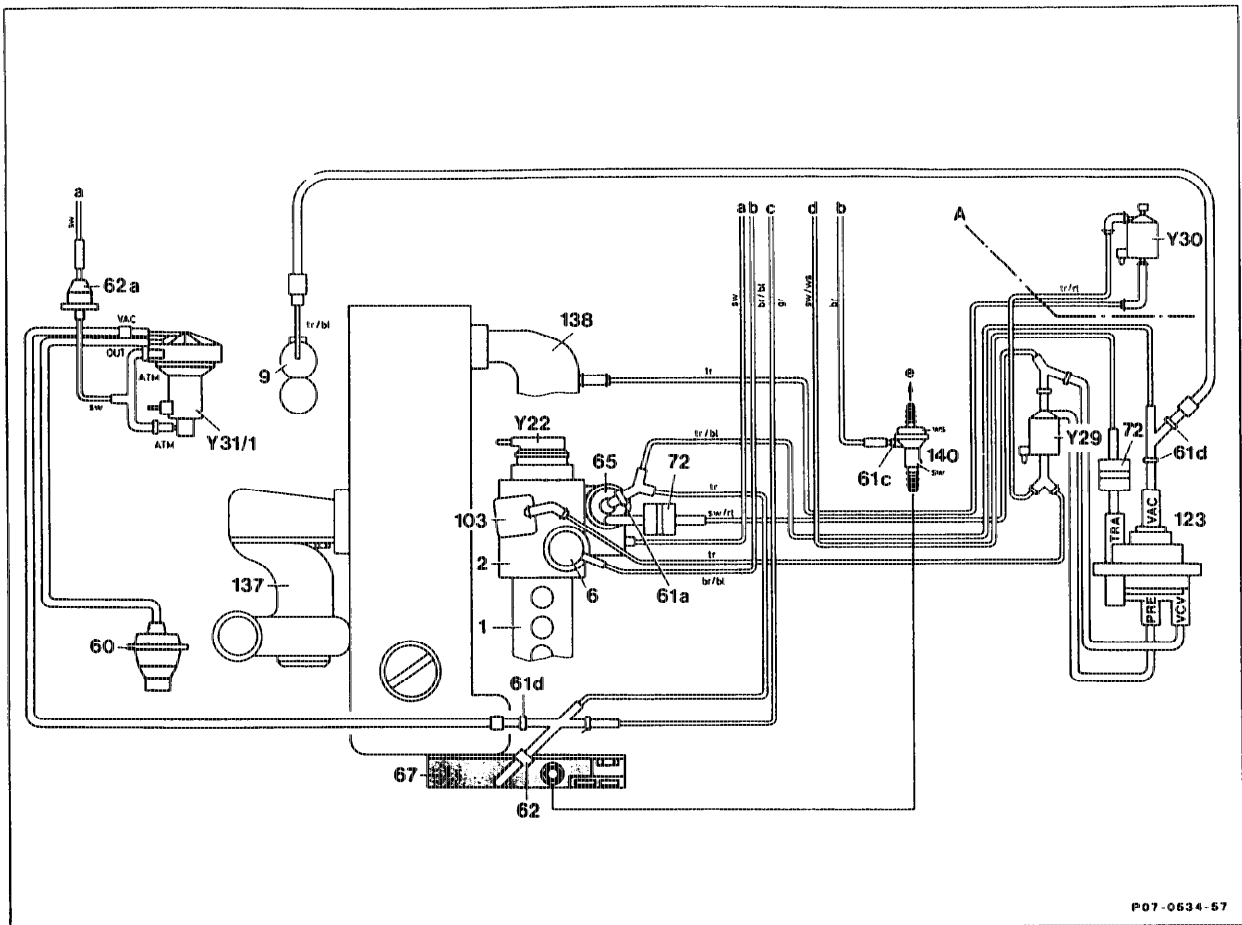
Pressure and Vacuum Line Routing Engine 602.962 Standard Model 124

1	Injection pump	Y22	ELR actuator
2	Governor	Y29	Vacuum amplifier switchover valve, automatic transmission
6	Stop unit	Y30	Switchover valve, engine overload protection
9	Vacuum reservoir (in right front wheelhouse, behind plastic cover)	A	Partition wall
61a	Restriction	a	Ventilation to passenger compartment
61c	Restriction \varnothing 0.5 mm (orange)	b	Key shut-off
62	Filter	c	Other ancillaries
65	Vacuum control valve	d	To vacuum unit, automatic transmission
67	Vacuum pump	e	To brake booster
72	Damper		
103	ALDA unit		Pressure and vacuum connections to vacuum transducer or vacuum amplifier
123	Vacuum amplifier	PRE	Charge pressure
137	Turbocharger	TRA	Transmission
138	Charge air distribution pipe	VAC	Vacuum
140	Non-return valve - brake booster	VCV	Vacuum control valve



**Vacuum Line Routing Electronic Diesel System
Engine 603.96 Model 124**

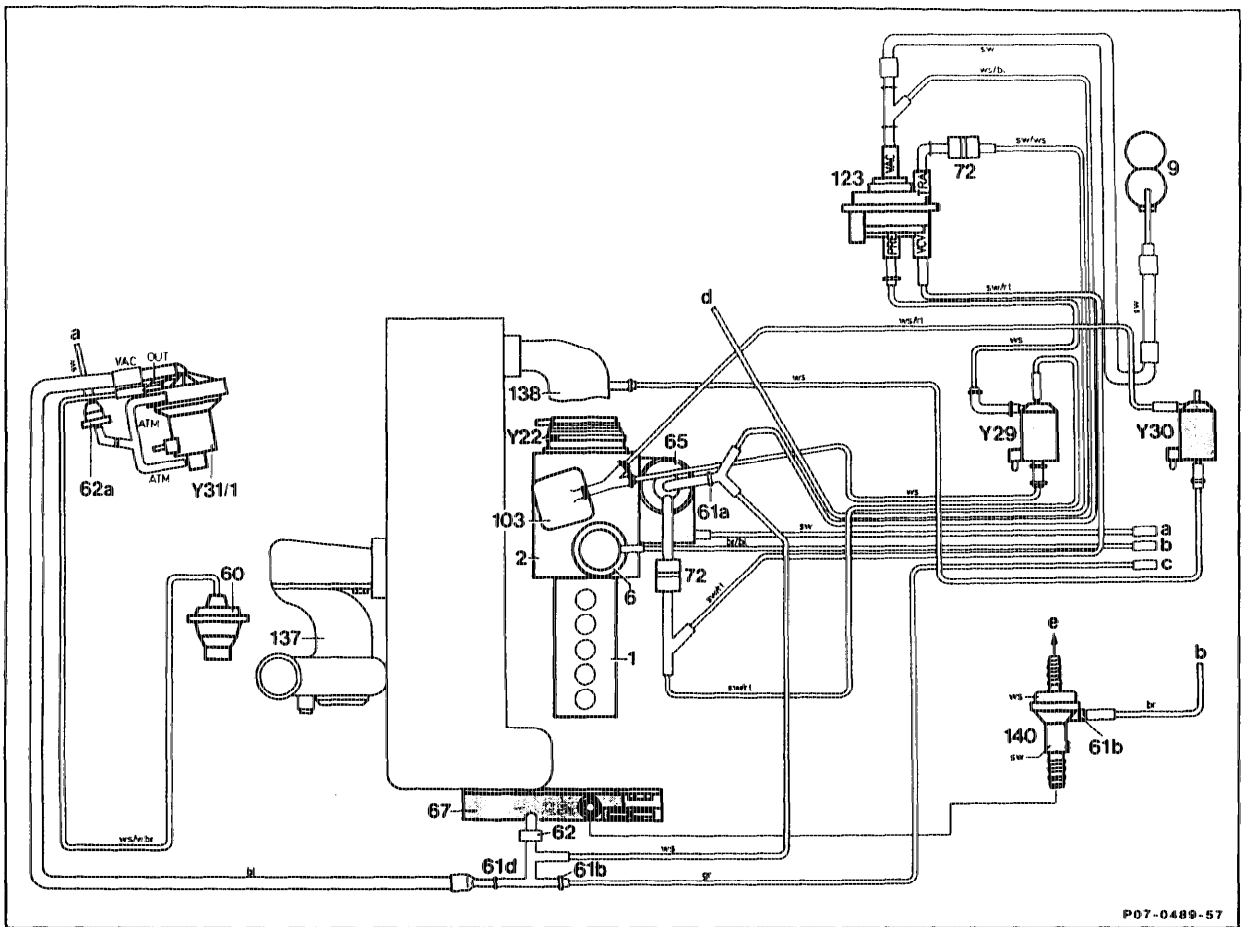
1	Injection pump	Y29	Vacuum amplifier switchover valve, automatic transmission
2	Governor	Y30	Switchover valve, engine overload protection
6	Stop unit	Y31/1	Pressure transducer, exhaust gas recirculation valve
9	Vacuum reservoir	A	Partition wall
60	Exhaust gas recirculation valve	a	Ventilation to passenger compartment
61 a	Restriction	b	Key shut-off
61 b	Restriction	c	Other ancillaries
61 c	Restriction \varnothing 0.5 mm (orange)	d	Vacuum unit, automatic transmission
61 d	Connecting piece (without restriction)	e	Brake booster
62	Filter		
62 a	Filter		
65	Vacuum control valve		
67	Vacuum pump		
72	Damper		
103	ALDA unit	TRA	To vacuum unit, automatic transmission
123	Vacuum amplifier	VAV	Vacuum from vacuum pump
137	Exhaust gas turbocharger	VCV	To vacuum control valve
138	Charge air distribution pipe	ATM	Ventilation to passenger compartment
140	Non-return valve - brake booster	OUT	Exhaust gas recirculation to exhaust gas recirculation valve or recirculating air valve
Y22	ELR actuator		



**Vacuum Line Routing Electronic Diesel System
Engine 602.96 Model 124**

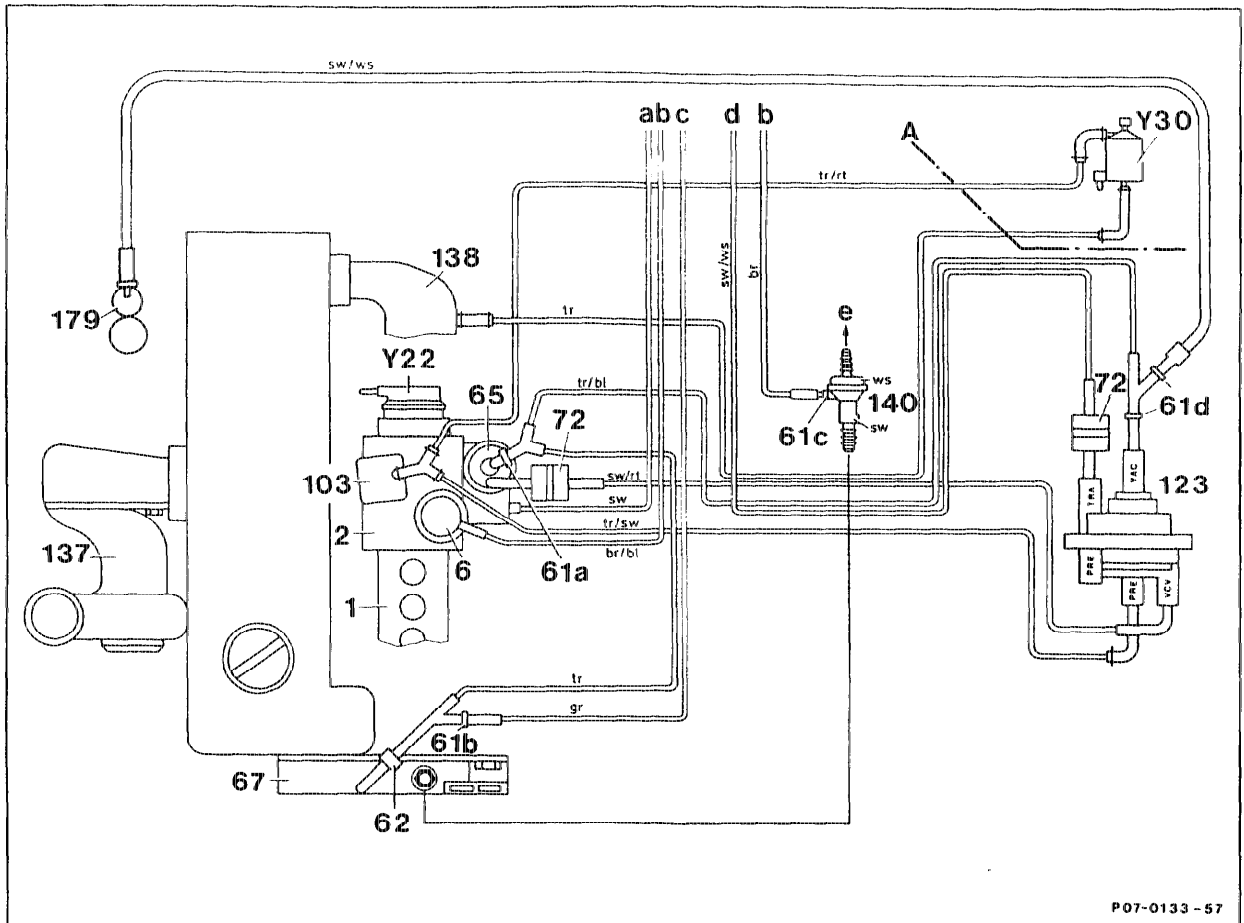
- 1 Injection pump
- 2 Governor
- 6 Stop unit
- 9 Vacuum reservoir
- 60 Exhaust gas recirculation valve
- 61a Restriction
- 61b Restriction
- 61c Restriction \varnothing 0.5 mm (orange)
- 61d Connecting piece (without restriction)
- 62 Filter
- 62a Filter
- 65 Vacuum control valve
- 67 Vacuum pump
- 72 Damper
- 103 ALDA unit
- 123 Vacuum amplifier
- 137 Exhaust gas turbocharger
- 138 Charge air distribution pipe
- 140 Non-return valve – brake booster

- Y22 ELR actuator
 - Y29 Vacuum amplifier switchover valve, automatic transmission
 - Y30 Switchover valve, engine overload protection
 - Y31/1 Pressure transducer, exhaust gas recirculation valve
 - A Partition wall
 - a Ventilation to passenger compartment
 - b Key shut-off
 - c Other ancillaries
 - d Vacuum unit, automatic transmission
 - e Brake booster
- Pressure and vacuum connections to vacuum transducer or vacuum amplifier
- TRA To vacuum unit, automatic transmission
 - VAV Vacuum from vacuum pump
 - VCV To vacuum control valve
 - ATM Ventilation to passenger compartment
 - OUT Exhaust gas recirculation to exhaust gas recirculation valve or recirculating air valve



**Vacuum Line Routing Electronic Diesel System
Engine 602.961 Model 201**

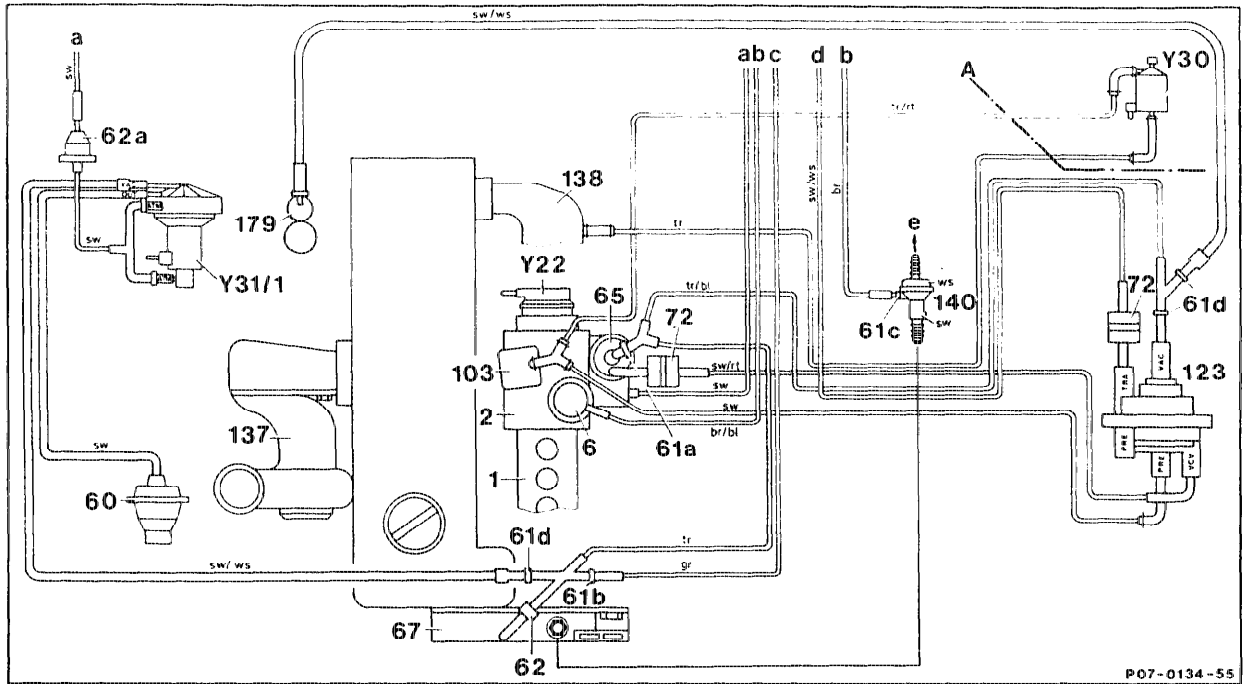
1	Injection pump	Y30	Switchover valve, engine overload protection
2	Governor	Y31/1	Vacuum transducer, exhaust gas recirculation valve
6	Stop unit	a	Ventilation to passenger compartment
9	Vacuum reservoir	b	Key shut-off
60	Exhaust gas recirculation valve	c	Other ancillaries
61a	Restriction	d	Vacuum unit, automatic transmission
61b	Restriction	e	Brake booster
61c	Restriction \varnothing 0.5 mm (orange)		
61d	Connector piece		
62	Filter		Pressure and vacuum connections to vacuum transducer or vacuum amplifier
62a	Filter		
65	Vacuum control valve	PRE	Charge pressure from ALDA unit
67	Vacuum pump	TRA	To vacuum unit, automatic transmission
72	Damper	VAC	Vacuum from vacuum pump
103	ALDA unit	VCV	To vacuum control valve
123	Vacuum amplifier	ATM	Ventilation to passenger compartment
137	Exhaust gas turbocharger	OUT	Exhaust gas recirculation to exhaust gas recirculation valve
138	Charge air distribution pipe		
140	Non-return valve - brake booster	sw	black
Y22	ELR actuator	bl	blue
Y29	Vacuum amplifier switchover valve, automatic transmission	br	brown
		gr	grey
		vi	violet
		rt	red
		ws	white



P07-0133-57

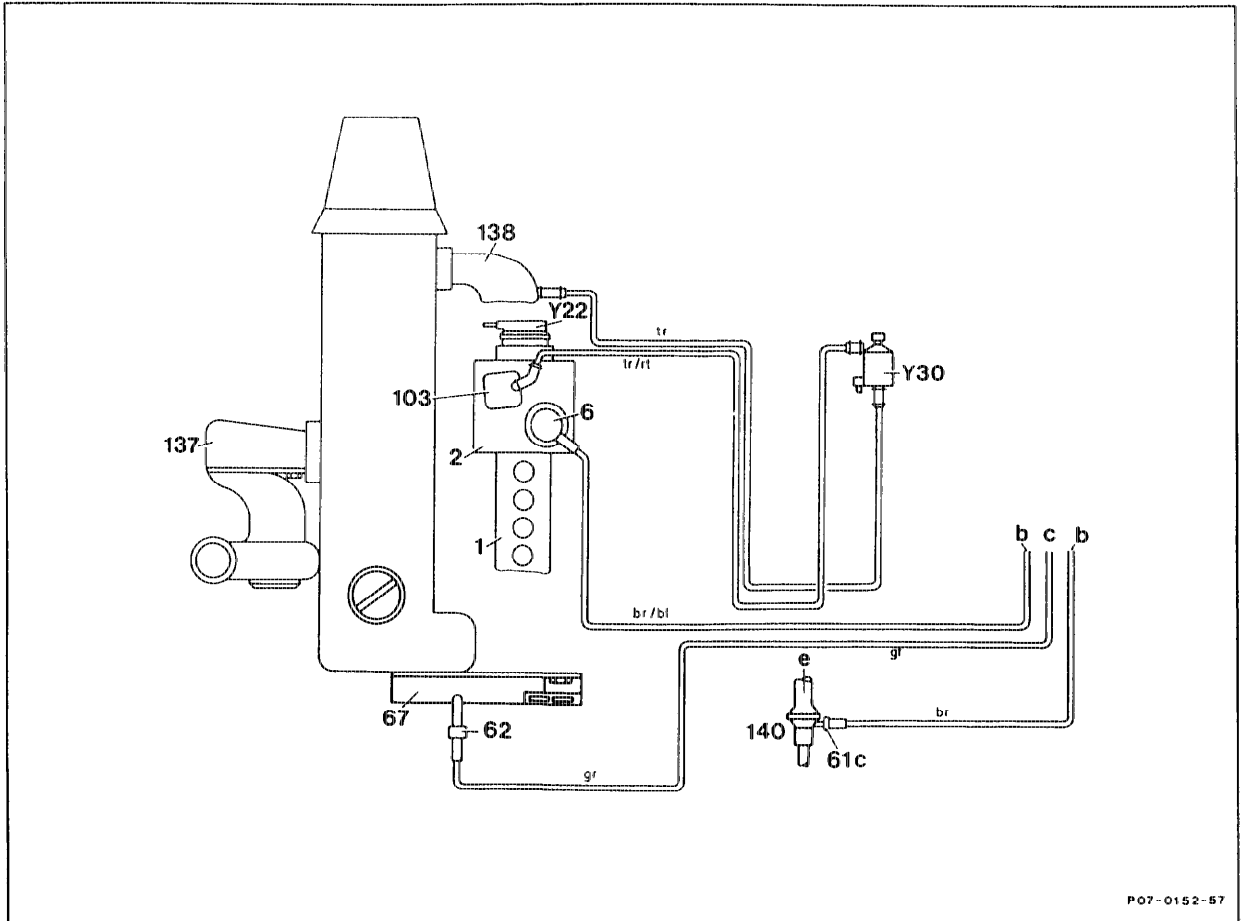
Vacuum Line Routing Engines 602.962, 603.96 with Automatic Transmission, Model 124 (Standard)

1	Injection pump	179	Vacuum reservoir (in right front wheelhouse, behind plastic cover)
2	Governor	Y22	Actuator
6	Vacuum unit stop	Y30	Switchover valve, engine overload protection
61a	Restriction	a	Ventilation to passenger compartment
61b	Restriction Ø 0.5 mm (white)	b	Key shut-off
61c	Restriction (orange)	c	Other ancillaries
62	Filter	d	To vacuum unit, automatic transmission
65	Vacuum control valve		Pressure and vacuum connections to vacuum transducer or vacuum amplifier
67	Vacuum pump	PRE	Charge pressure
72	Damper	TRA	Transmission
103	ALDA unit	VAC	Vacuum
123	Vacuum amplifier	VACV	Vacuum control valve
137	Turbocharger	A	Partition wall
138	Charge air distributor		
140	Non-return valve - brake booster		



Vacuum Line Routing (EDS) Engines 602.962, 603.96 with Automatic Transmission,
Model 124 (A) (FIN)

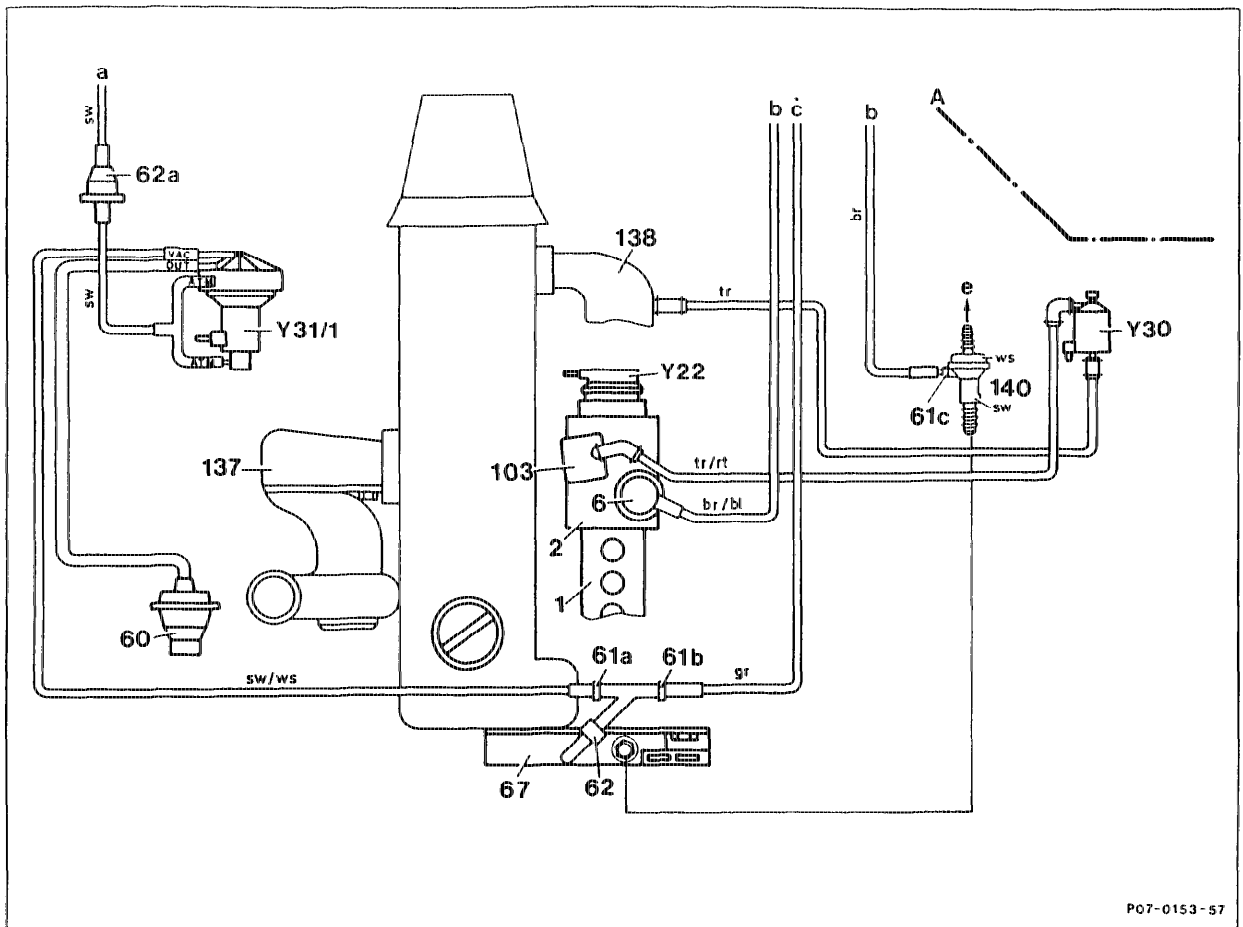
1	Injection pump	179	Vacuum reservoir
2	Governor	Y22	ELR actuator
6	Stop unit	Y30	Switchover valve, engine overload protection
60	Exhaust gas recirculation valve	Y31/1	Pressure transducer, exhaust gas recirculation valve
61a	Restriction	A	Partition wall
61b	Restriction	a	Ventilation to passenger compartment
61c	Restriction \varnothing 0.5 mm (orange)	b	Key shut-off
61d	Connector piece (without restriction)	c	Other ancillaries
62	Filter	d	Vacuum unit, automatic transmission
62a	Filter	e	Brake booster
65	Vacuum control valve		
67	Vacuum pump		
72	Damper		
103	ALDA unit		
123	Vacuum amplifier		
137	Exhaust gas turbocharger		
138	Charge air distribution pipe		
140	Non-return valve - brake booster		
			Pressure and vacuum connections to vacuum transducer or vacuum amplifier
		TRA	To vacuum unit, automatic transmission
		VAV	Vacuum from vacuum pump
		VCV	To vacuum control valve
		ATM	Ventilation to passenger compartment
		OUT	Exhaust recirculation to exhaust gas recirculation valve or recirculating air valve



P07-0152-57

**Vacuum Line Routing Engine 602.96 with Manual Transmission,
Models 124, 201 (Standard)**

1	Injection pump	138	Charge air distributor
2	Governor	Y22	Actuator
6	Stop unit	Y30	Switchover valve, engine overload protection
61c	Restriction Ø 0.5 mm	b	Key shut-off
62	Filter	c	Other ancillaries
67	Vacuum pump	e	To brake booster
103	ALDA unit		
137	Turbocharger		



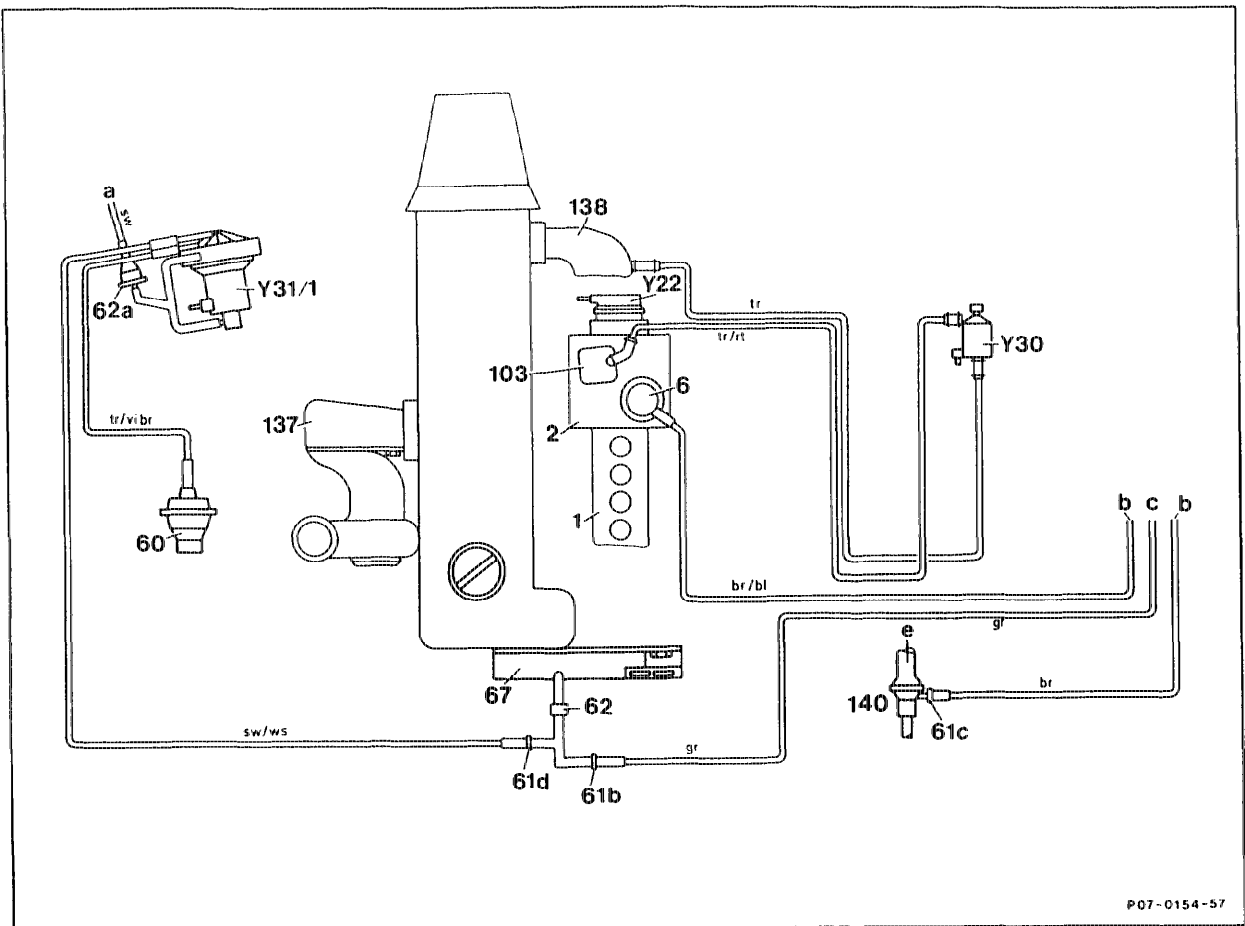
P07-0153-57

Vacuum Line Routing (EDS) Engine 602.962 with Manual Transmission,
 Model 124 (A) (FIN)

- 1 Injection pump
- 2 Governor
- 6 Vacuum unit stop
- 60 Exhaust gas recirculation valve
- 61a Restriction
- 61b Restriction
- 61c Restriction Ø 0.5 mm
- 62 Filter
- 62a Filter
- 67 Vacuum pump
- 103 ALDA unit
- 137 Exhaust gas turbocharger
- 138 Charge air distribution pipe
- 140 Non-return valve - brake booster

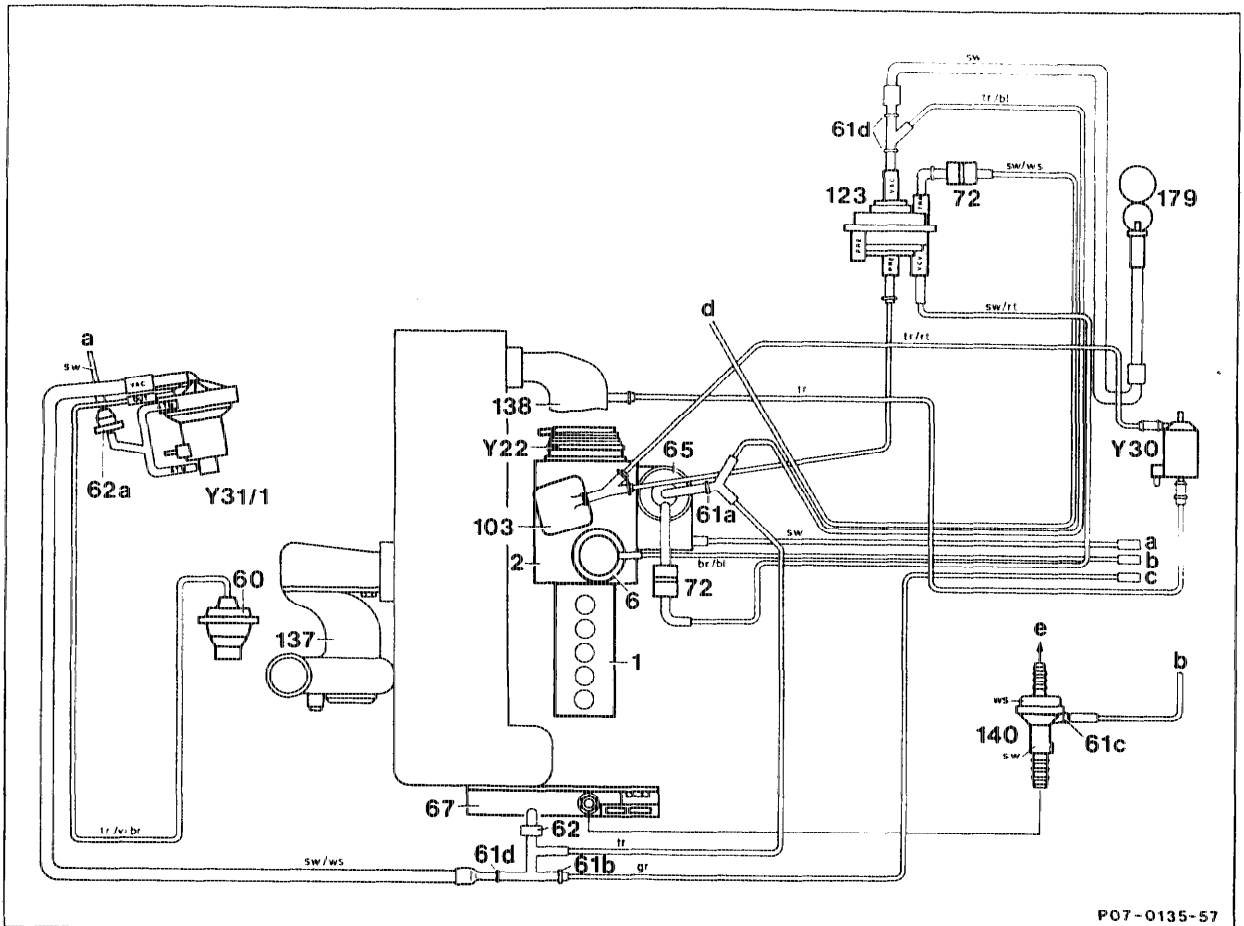
- Y22 ELR actuator
- Y30 Switchover valve, engine overload protection
- Y31/1 Vacuum transducer, exhaust gas recirculation valve
- a Ventilation to passenger compartment
- b Key shut-off
- c Other ancillaries
- e Brake booster
- A Partition wall

- Pressure and vacuum connections to vacuum transducer or vacuum amplifier
- VAC Vacuum from vacuum pump
- ATM Ventilation to passenger compartment
- OUT Exhaust gas recirculation to exhaust gas recirculation valve or air recirculating valve



Vacuum Line Routing (EDS) Engine 602.961 with Manual Transmission,
Model 201 (A) (FIN)

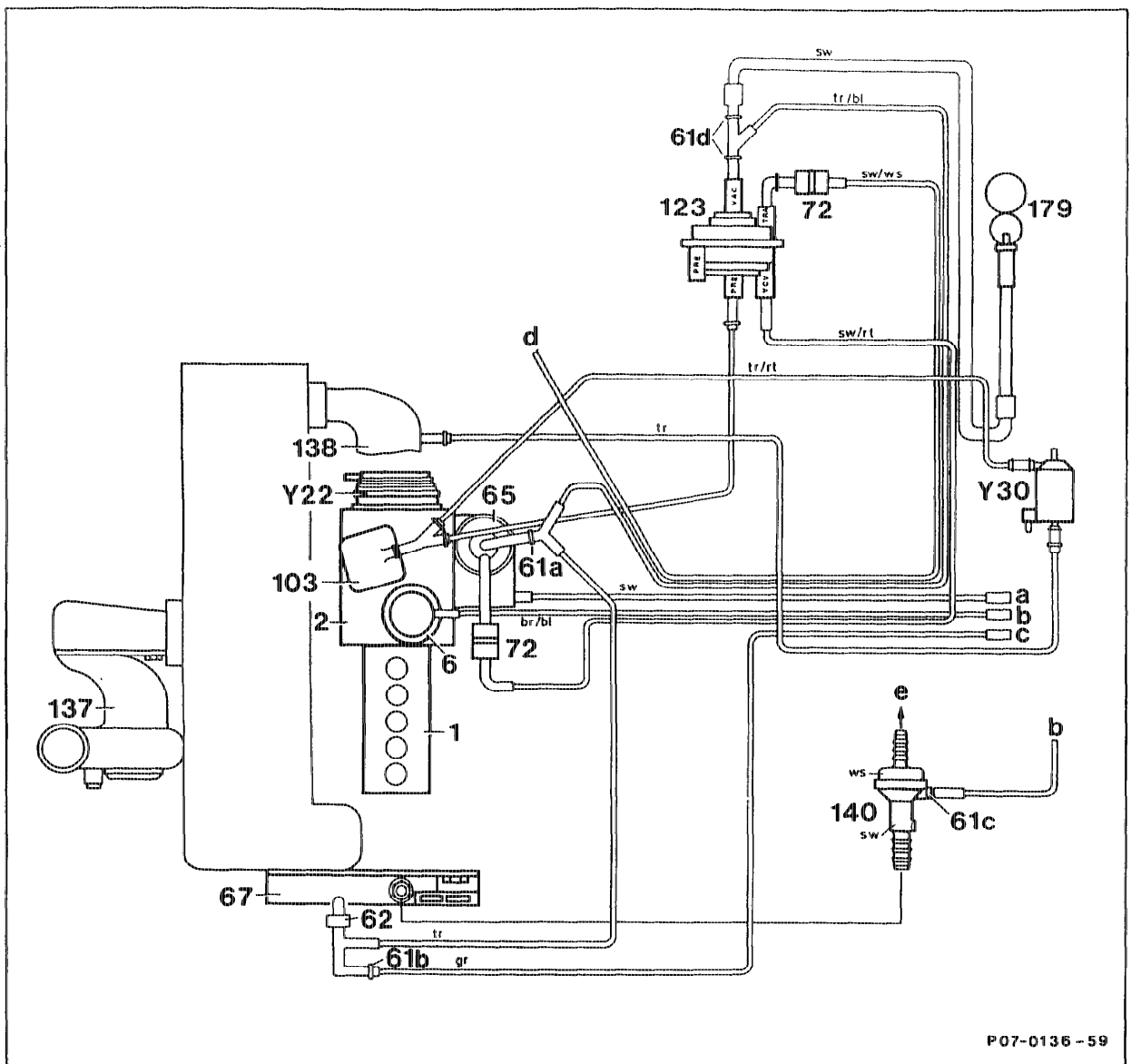
1	Injection pump	140	Non-return valve - brake booster
2	Governor	Y22	ELR actuator
6	Stop unit	Y30	Switchover valve, engine overload protection
60	Exhaust gas recirculation valve	Y31/1	Pressure transducer, exhaust gas recirculation valve
61b	Restriction	a	Ventilation to passenger compartment
61c	Restriction Ø 0.5 mm (orange)	b	Key shut-off
61d	Connector piece	c	Other ancillaries
62	Filter	e	Brake booster
62a	Filter 000 078 06 56		
67	Vacuum pump		
103	ALDA unit		
137	Exhaust gas turbocharger		
138	Charge air distribution pipe		
			Pressure and vacuum connections to vacuum transducer or vacuum amplifier
		VAC	Vacuum from vacuum pump
		ATM	Ventilation to passenger compartment
		OUT	Exhaust gas recirculation to exhaust gas recirculation valve



Pressure and Vacuum Line Routing (EDS) Engine 602.961,
Model 201 (A) (FIN)

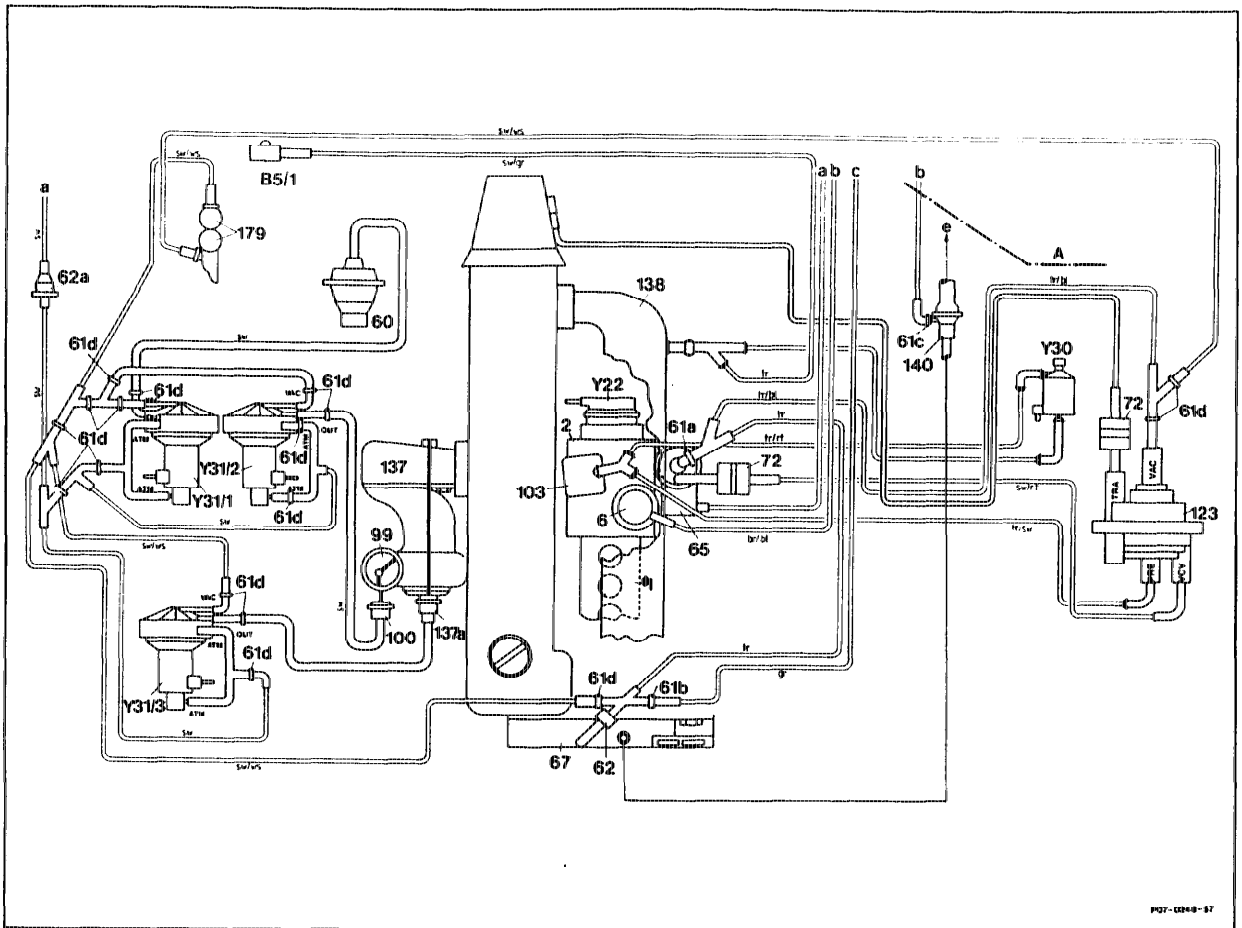
- 1 Injection pump
- 2 Governor
- 6 Stop unit
- 60 Exhaust gas recirculation valve
- 61a Restriction
- 61b Restriction
- 61c Restriction \varnothing 0.5 mm (orange)
- 61d Connector piece
- 62 Filter
- 62a Filter
- 65 Vacuum control valve
- 67 Vacuum pump
- 72 Damper
- 103 ALDA unit
- 123 Vacuum amplifier
- 137 Exhaust gas turbocharger
- 138 Charge air distribution pipe
- 140 Non-return valve -- brake booster
- 179 Vacuum reservoir

- Y22 ELR actuator
 - Y30 Switchover valve, engine overload protection
 - Y31/1 Vacuum transducer, exhaust gas recirculation valve
 - a Ventilation to passenger compartment
 - b Key shut-off
 - c Other ancillaries
 - d Vacuum unit, automatic transmission
 - e Brake booster
-
- Pressure and vacuum connections to vacuum transducer or vacuum amplifier
 - PRE Charge pressure from ALDA unit
 - TRA To vacuum unit, automatic transmission
 - VAC Vacuum from vacuum pump
 - VCV To vacuum control valve
 - ATM Ventilation to passenger compartment
 - OUT Exhaust gas recirculation to exhaust gas recirculation valve



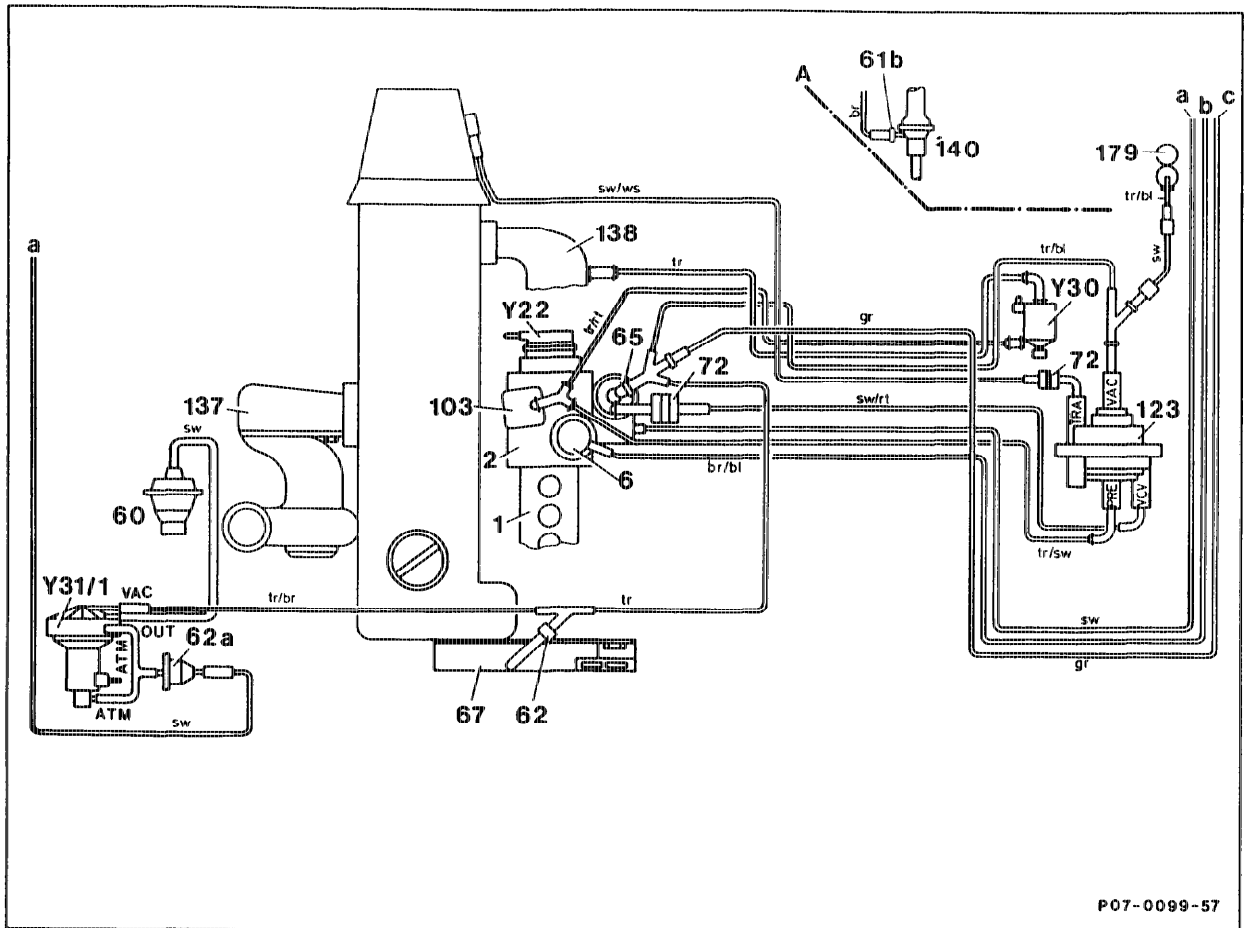
Vacuum Line Routing (EDS) Engine 602.961 with Automatic Transmission, Model 201 (Standard)

1	Injection pump	179	Vacuum reservoir (in left front wheelhouse behind plastic cover)
2	Governor	Y22	ELR actuator
6	Stop unit	Y30	Switchover valve, engine overload protection
61a	Restriction	a	Ventilation to passenger compartment
61b	Restriction	b	Key shut-off
61c	Restriction	c	Other ancillaries
62	Filter	d	To vacuum unit, automatic transmission
65	Vacuum control valve		Pressure and vacuum connections to vacuum transducer or vacuum amplifier
67	Vacuum pump		
72	Damper		
103	ALDA unit	PRE	Charge pressure
123	Vacuum amplifier	TRA	Transmission
137	Turbocharger	VAC	Vacuum
138	Charge air distributor	VCV	Vacuum control valve
140	Non-return valve - brake booster		



Vacuum Line Routing (EDS) Engine 602.962, (USA) Model Year 1990
and (CH) (DK) Model Year 1991

1	Injection pump	Y30	Switch-over valve, engine overload protection
2	Governor	Y31/1	ARF vacuum transducer
6	Stop unit	Y31/2	Vacuum transducer, pressure control flap
60	Exhaust gas recirculation valve	Y31/3	Vacuum transducer, charge pressure control
61a	Restriction	A	Partition wall
61b	Restriction	a	Ventilation to passenger compartment
61d	Connector piece (without restriction)	b	Key shut-off
62	Filter	c	Other ancillaries
62a	Filter	e	Brake booster
65	Vacuum control valve		
67	Vacuum pump		
72	Damper		
103	ALDA unit		
123	Vacuum amplifier	TRA	Pressure and vacuum connections to vacuum transducer or vacuum amplifier
137	Exhaust gas turbocharger	VAC	To vacuum unit, automatic transmission
137a	Vacuum unit, charge pressure control valve	VCV	To vacuum control valve
138	Charge air distribution pipe	ATM	Ventilation to passenger compartment
140	Non-return valve - brake booster	OUT	Output from vacuum transducer (Y31/1) to ARF valve
179	Vacuum reservoir	OUT	Output from vacuum transducer (Y31/2) to vacuum unit, vacuum control flap
B5/1	Pressure sensor (EDS)	OUT	Output from vacuum transducer (Y31/3) to vacuum unit, charge pressure control valve
Y22	ELR actuator		

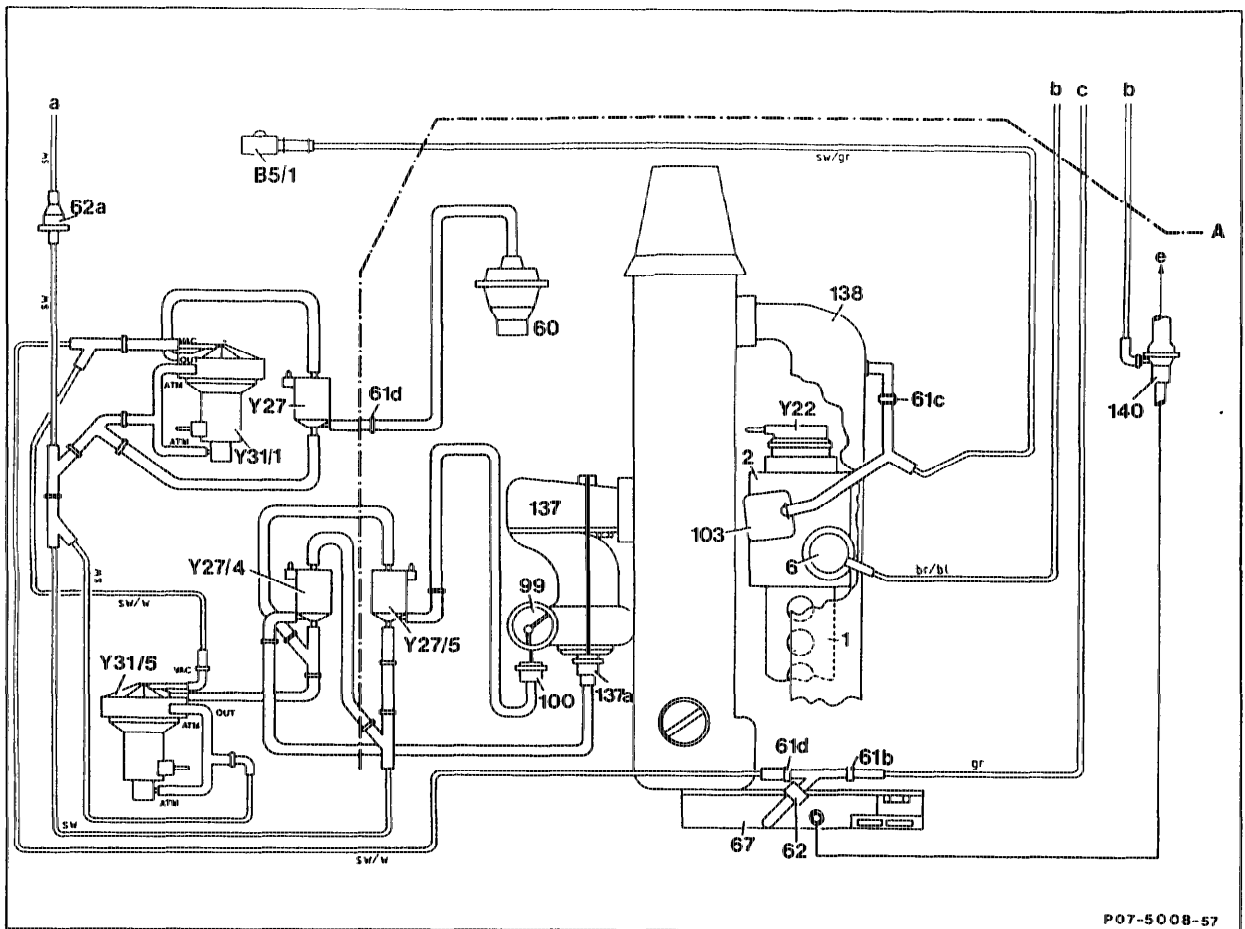


Vacuum Line Routing (EDS) Engine 603.970, (USA) Model Year 1990

- 1 Injection pump
- 2 Governor
- 6 Stop unit
- 60 Exhaust gas recirculation valve
- 61b Restriction
- 62 Filter
- 62a Filter
- 65 Vacuum control valve
- 67 Vacuum pump
- 72 Damper
- 103 ALDA unit
- 123 Vacuum amplifier
- 137 Exhaust gas turbocharger
- 138 Charge air distribution pipe
- 140 Non-return valve - brake booster

- 179 Vacuum reservoir
- Y22 ELR actuator
- Y30 Switchover valve, engine overload protection
- Y31/1 ARF vacuum transducer
- A Partition wall
- a Ventilation to passenger compartment
- b Key shut-off
- c Other ancillaries

- Pressure and vacuum connections to vacuum transducer or vacuum amplifier
- TRA To vacuum unit, automatic transmission
- VAC Vacuum from vacuum pump
- VCV To vacuum control valve
- ATM Ventilation to passenger compartment
- OUT Exhaust gas recirculation to exhaust gas recirculation valve

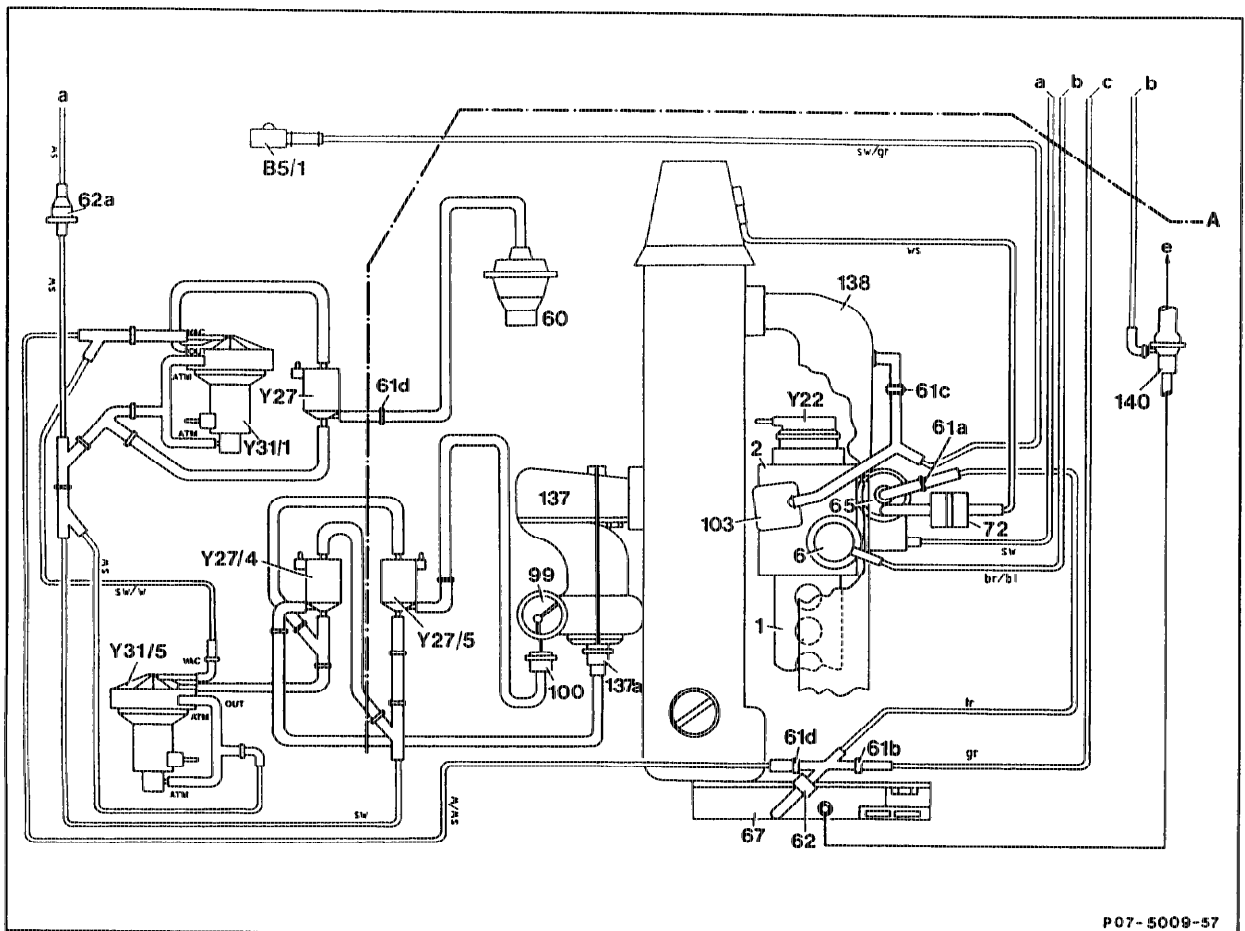


P07-5008-57

Vacuum Line Routing (EDS) Engine 602.96 with Manual Transmission Model 124, Basic Version Code 62/0 as of 06/91, (A) (FIN) Model Year 1992

1	Injection pump	Y27/5	Vacuum control flap switchover valve
2	Governor	Y31/1	ARF vacuum transducer
6	Vacuum Stop unit	Y31/5	Boost pressure control/vacuum control flap vacuum transducer
60	Exhaust gas recirculation valve		
61b	Restriction	A	Partition wall
61d	Connector (without restriction)	a	Fresh air flow to passenger compartment
62	Filter	b	Key-operated engine stop
62a	Filter	c	Other ancillaries
67	Vacuum pump	e	Brake booster
99	Vacuum control flap		
100	Vacuum control flap vacuum unit		
103	ALDA unit		
137	Exhaust gas turbocharger		
137a	Boost pressure control valve vacuum unit		
138	Charge air distribution pipe		
140	Non-return valve, brake booster		
B5/1	EDS pressure sensor		
Y22	ELR actuator		
Y27	ARF switchover valve		
Y27/4	Boost pressure control switchover valve		
			Pressure and vacuum connections at vacuum transducer
		VAC	Vacuum from vacuum pump
		ATM	Fresh air flow to passenger compartment
		OUT	Outlet from vacuum transducer (Y31/1) to ARF switchover valve
		OUT	Outlet from vacuum transducer (Y31/5) to: - vacuum control flap switchover valve - boost pressure control switchover valve

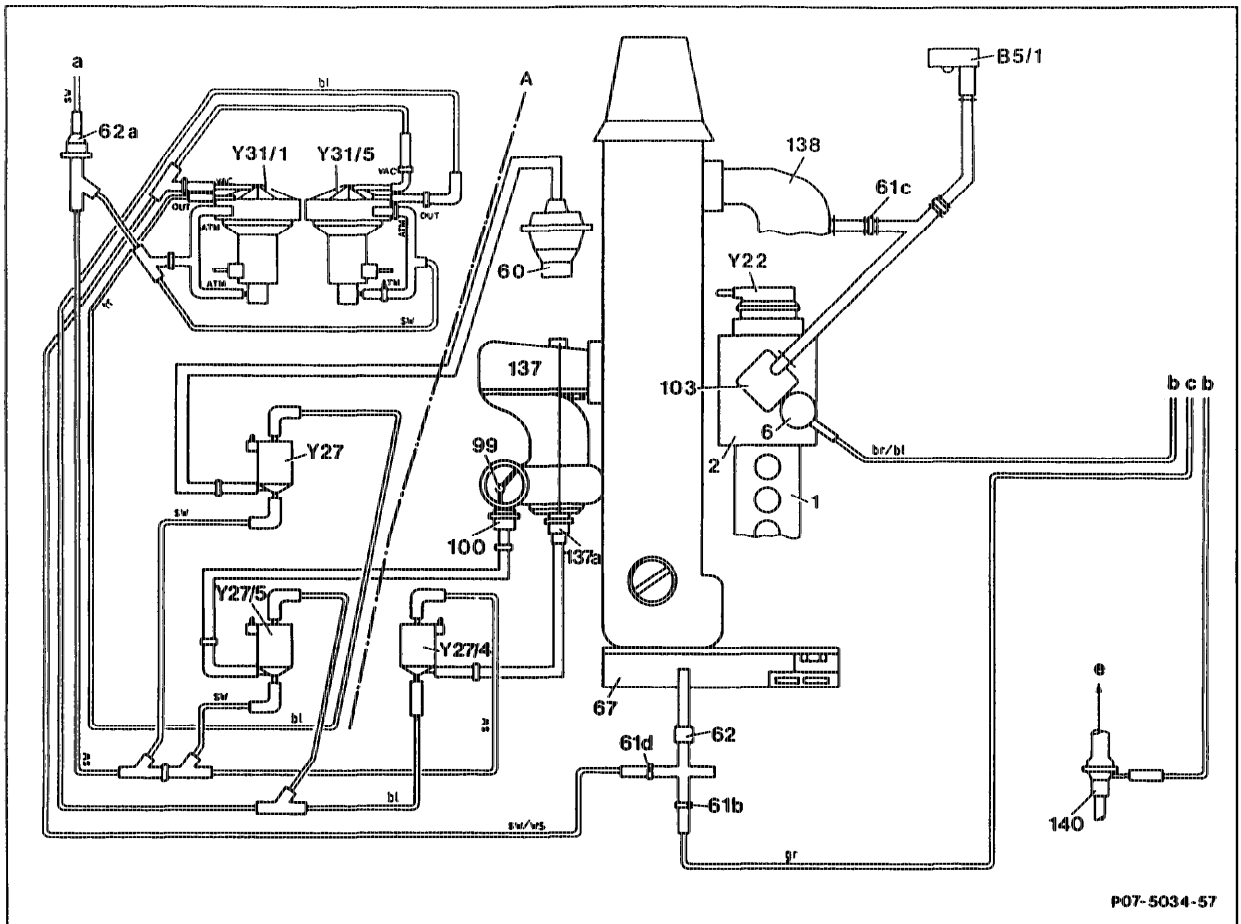




P07-5009-57

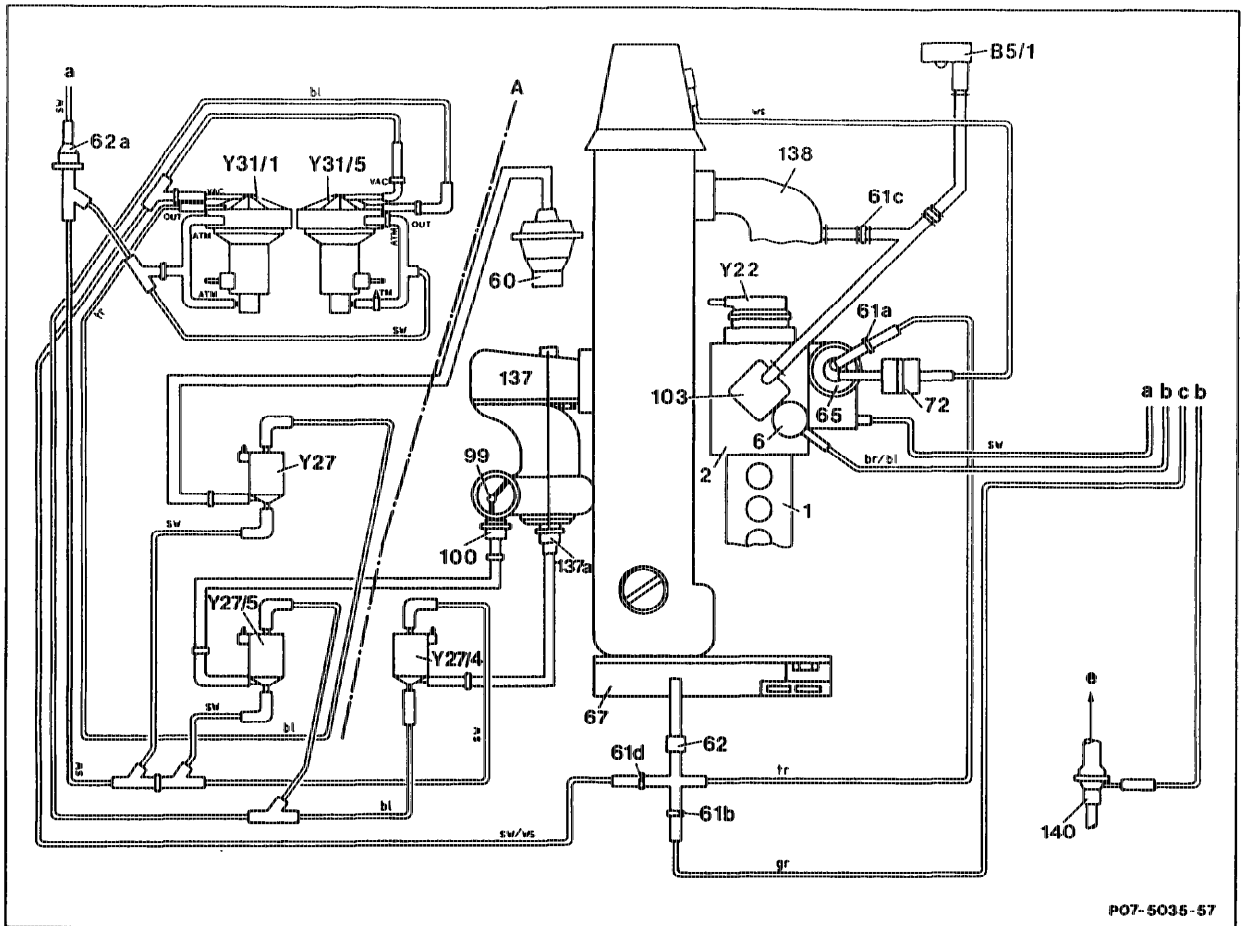
Vacuum Line Routing (EDS) Engine 602.96 with Automatic Transmission Model 124, Basic Version
Code 62/0 as of 06/91, (A) (FIN) (CH) (DK) (USA) Model Year 1992

1	Injection pump	Y27/5	Vacuum control flap switchover valve
2	Governor	Y31/1	ARF vacuum transducer
6	Vacuum Stop unit	Y31/5	Boost pressure control/vacuum control flap vacuum transducer
60	Exhaust gas recirculation valve		
61b	Restriction		
61d	Connector (without restriction)	A	Partition wall
62	Filter	a	Fresh air flow to passenger compartment
62a	Filter	b	Key-operated engine stop
65	Vacuum control valve	c	Other ancillaries
67	Vacuum pump	e	Brake booster
72	Damper		
99	Vacuum control flap		
100	Vacuum control flap vacuum unit		
103	ALDA unit		
137	Exhaust gas turbocharger		
137a	Boost pressure control valve vacuum unit		
138	Charge air distribution pipe		
140	Non-return valve, brake booster		
B5/1	EDS pressure sensor		
Y22	ELR actuator		
Y27	ARF switchover valve		
Y27/4	Boost pressure control switchover valve		
			Pressure and vacuum connections at vacuum transducer
		VAC	Vacuum from vacuum pump
		ATM	Fresh air flow to passenger compartment
		OUT	Outlet from vacuum transducer (Y31/1) to ARF switchover valve
		OUT	Outlet from vacuum transducer (Y31/5) to: - vacuum control flap switchover valve - boost pressure control switchover valve



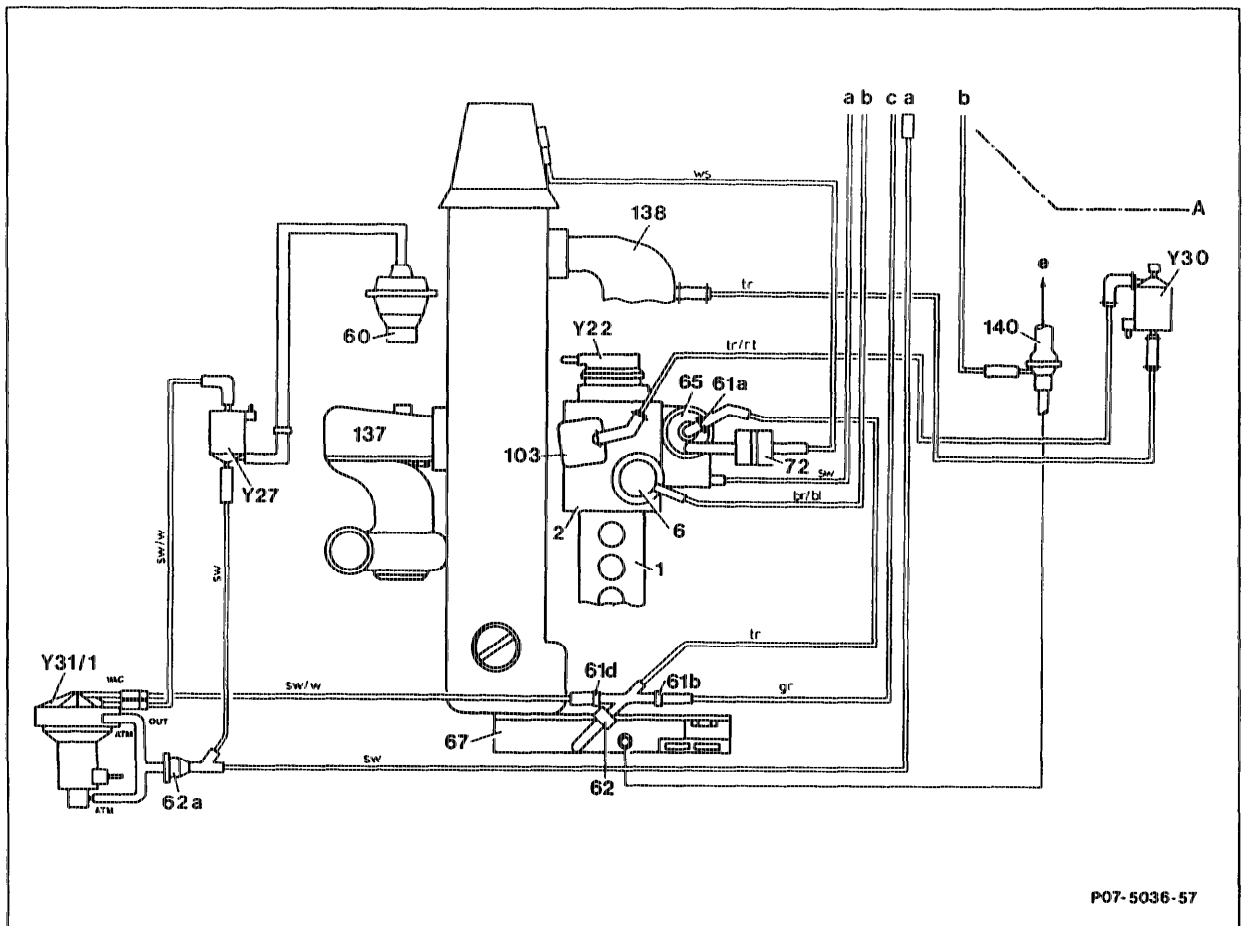
Vacuum Line Routing (EDS) Engine 602.96 with Manual Transmission Model 201, Basic Version Code 62/0 as of 06/91, (A) (FIN) Model Year 1992

1	Injection pump	Y27/5	Vacuum control flap switchover valve
2	Governor	Y31/1	ARF vacuum transducer
6	Vacuum Stop unit	Y31/5	Boost pressure control/vacuum control flap vacuum transducer
60	Exhaust gas recirculation valve		
61b	Restriction	A	Partition wall
61c	Restriction	a	Fresh air flow to passenger compartment
61d	Connector (without restriction)	b	Key-operated engine stop
62	Filter	c	Other ancillaries
62a	Filter	e	Brake booster
67	Vacuum pump		
99	Vacuum control flap		
100	Vacuum control flap vacuum unit		
103	ALDA unit		
137	Exhaust gas turbocharger		
137a	Boost pressure control valve vacuum unit		
138	Charge air distribution pipe		
140	Non-return valve, brake booster		
B5/1	EDS pressure sensor		
Y22	ELR actuator		
Y27	ARF switchover valve		
Y27/4	Boost pressure control switchover valve		
			Pressure and vacuum connections at vacuum transducer
		VAC	Vacuum from vacuum pump
		ATM	Fresh air flow to passenger compartment
		OUT	Outlet from vacuum transducer (Y31/1) to ARF switchover valve
		OUT	Outlet from vacuum transducer (Y31/5) to:
			- vacuum control flap switchover valve
			- boost pressure control switchover valve



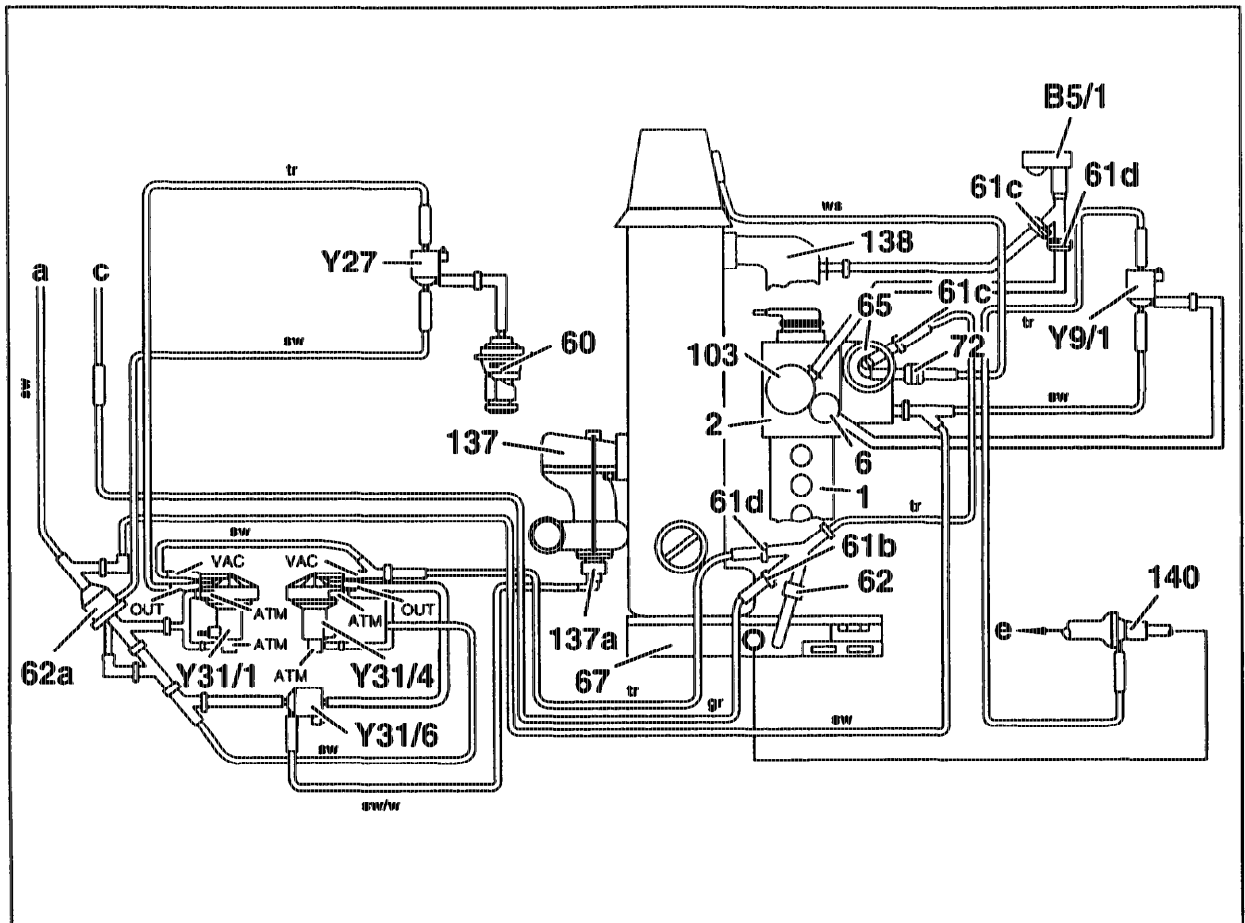
Vacuum Line Routing (EDS) Engine 602.96 with Automatic Transmission Model 201, Basic Version Code 62/0 as of 06/91, (A) (FIN) Model Year 1992

1	Injection pump	Y27/4	Boost pressure control switchover valve
2	Governor	Y27/5	Vacuum control flap switchover valve
6	Vacuum Stop unit	Y31/1	ARF vacuum transducer
60	Exhaust gas recirculation valve	Y31/5	Boost pressure control/vacuum control flap vacuum transducer
61a	Restriction	A	Partition wall
61b	Restriction	a	Fresh air flow to passenger compartment
61c	Restriction	b	Key-operated engine stop
61d	Connector (without restriction)	c	Other ancillaries
62	Filter	e	Brake booster
62a	Filter		
65	Vacuum control valve		
67	Vacuum pump		
72	Damper		
99	Vacuum control flap		
100	Vacuum control flap vacuum unit		
103	ALDA unit		
137	Exhaust gas turbocharger		
137a	Boost pressure control valve vacuum unit		
138	Charge air distribution pipe		
140	Non-return valve, brake booster		
B5/1	EDS pressure sensor		
Y22	ELR actuator		
Y27	ARF switchover valve		
			Pressure and vacuum connections at vacuum transducer
		VAC	Vacuum from vacuum pump
		ATM	Fresh air flow to passenger compartment
		OUT	Outlet from vacuum transducer (Y31/1) to ARF switchover valve
		OUT	Outlet from vacuum transducer (Y31/5) to:
			- vacuum control flap switchover valve
			- boost pressure control switchover valve



Vacuum Line Routing (EDS) Engine 603.96 with Automatic Transmission Model 124, Basic Version
Code 62/0 as of 06/91, (A) (FIN) (J) Model Year 1992

1	Injection pump	Y22	ELR actuator
2	Governor	Y30	Engine overload protection switchover valve
6	Vacuum Stop unit	Y31/1	ARF vacuum transducer
60	Exhaust gas recirculation valve		
61b	Restriction	A	Partition wall
61d	Restriction	a	Fresh air flow to passenger compartment
62	Filter	b	Key-operated engine stop
62a	Filter	c	Other ancillaries
65	Vacuum control valve	e	Brake booster
67	Vacuum pump		
72	Damper		
103	ALDA unit		
137	Exhaust gas turbocharger		
138	Charge air distribution pipe		
140	Non-return valve, brake booster		
			Pressure and vacuum connections at vacuum transducer
		VAC	Vacuum from vacuum pump
		ATM	Fresh air flow to passenger compartment
		OUT	Outlet to vacuum transducer (Y31/1) to ARF valve



P07.11-0205-57

Vacuum Line Routing (EDS) Engine 603.971 with Automatic Transmission Model 140, (USA)
 Model Year 1992

1	Injection pump	Y27	ARF switchover valve
2	Governor	Y31/1	ARF vacuum transducer
6	Stop unit	Y31/4	Boost pressure control vacuum transducer
60	Exhaust gas recirculation valve	Y31/6	Boost pressure shutoff switchover valve
61b	Restriction	a	Fresh air flow to passenger compartment
61c	Restriction	c	Other ancillaries
61d	Connector	e	Brake booster
62	Filter		
62a	Filter		
65	Vacuum control valve		
67	Vacuum pump		
103	ALDA unit		
137	Exhaust gas turbocharger		
137a	Boost pressure control valve vacuum unit		
138	Charge air distribution pipe		
140	Non-return valve, brake booster		
B5/1	EDS pressure sensor		
Y9/1	Key-operated engine stop switchover valve		
Y22	ELR actuator		
			Pressure and vacuum connections at vacuum transducer
		VAC	Vacuum from vacuum pump
		ATM	Fresh air flow to passenger compartment
		OUT	Outlet from vacuum transducer (Y31/1) to exhaust gas recirculation valve
		OUT	Outlet from vacuum transducer (Y31/4) to switchover valve (Y31/6) or to boost pressure control valve vacuum unit