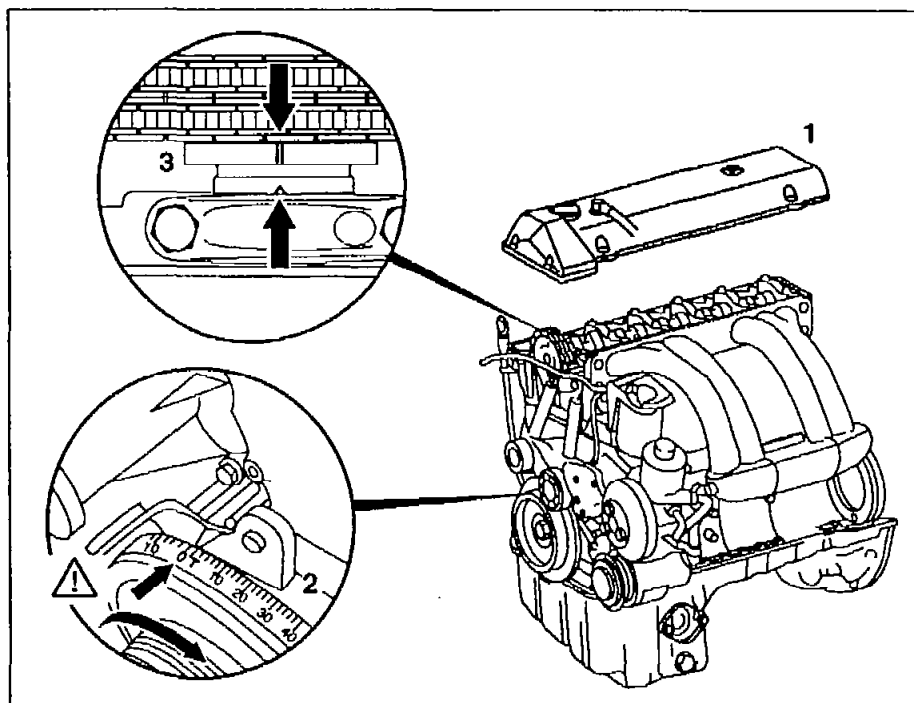


ENGINE 601, 602, 603, 602.983



P05.20-0337-06

Fig. item etc.	Work instructions		
2	Position piston of cylinder 1 to ignition TDC	Rotate engine at crankshaft. ⓘ Engine must not be rotated at the camshaft or cranked backward.	
3	Inspect basic position of camshaft	ⓘ The marking on the camshaft (arrow) should be aligned with the marking at the 1st camshaft bearing cap (arrow). Set, if necessary, after inspecting.	