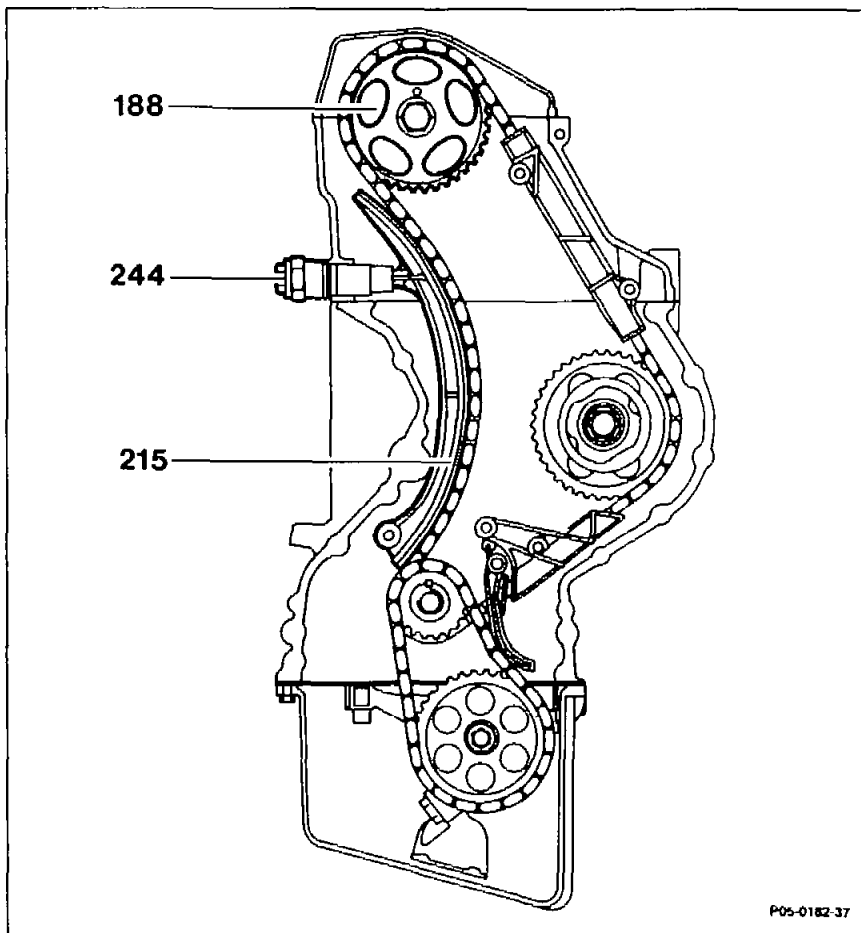


## 05-330 Removal and Installation of tensioner rail

### Preceding work:

Cylinder head removed (01-415)  
Timing case cover removed (01-210)  
Chain tensioner removed (05-310).

Operation no. of operation texts and work units  
or standard texts and flat rates ..... 05-8126



Tensioner rail (215) ..... pull off, put on.

### Note

Plastic layer on the tensioner rail cannot be replaced.

**Note**

Since 08/86 unhardened straight pins have been fitted for the tensioner rail bearing.

**Data**

Since 09/86 the lead-in tangent (contact surface) on the tensioner rail has been extended, thus reducing lining wear.

Dotted line shows former design.

