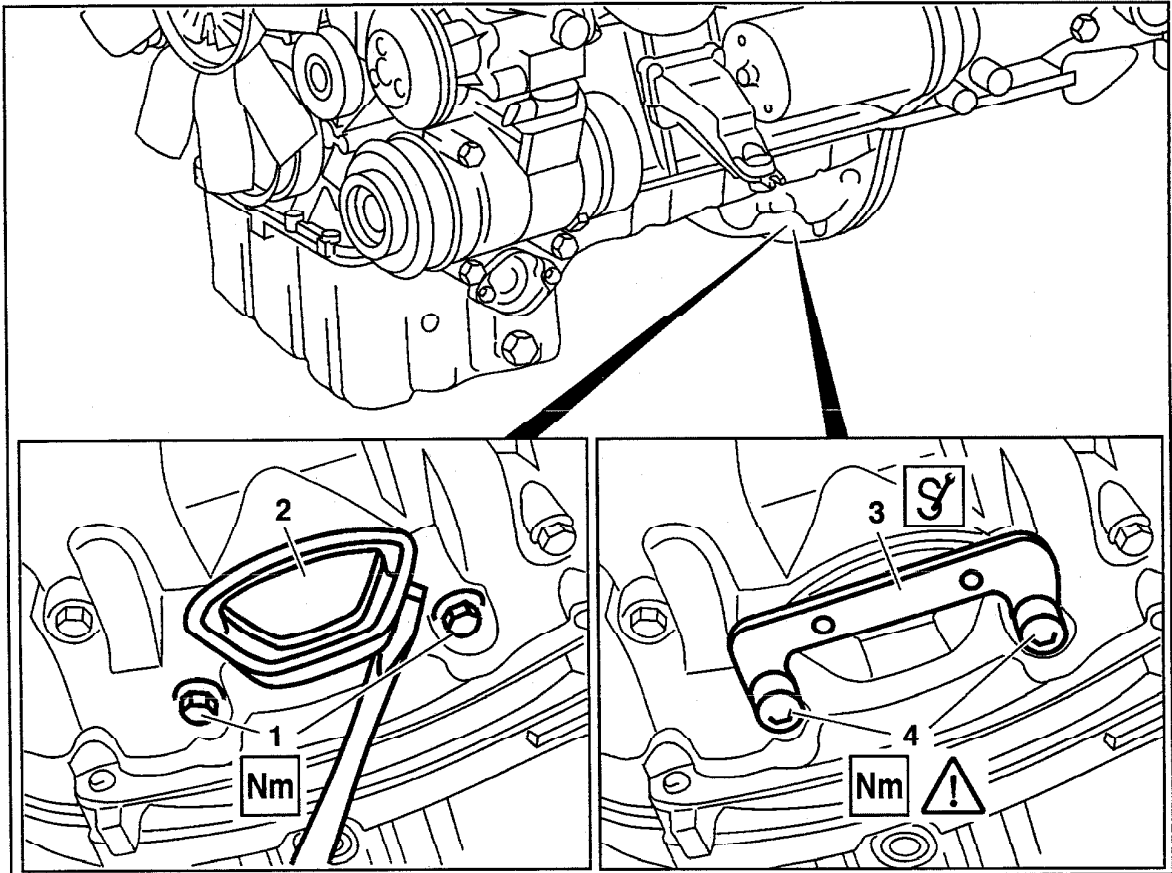


03-500 Installing, removing retaining lock for crankshaft/ring gear



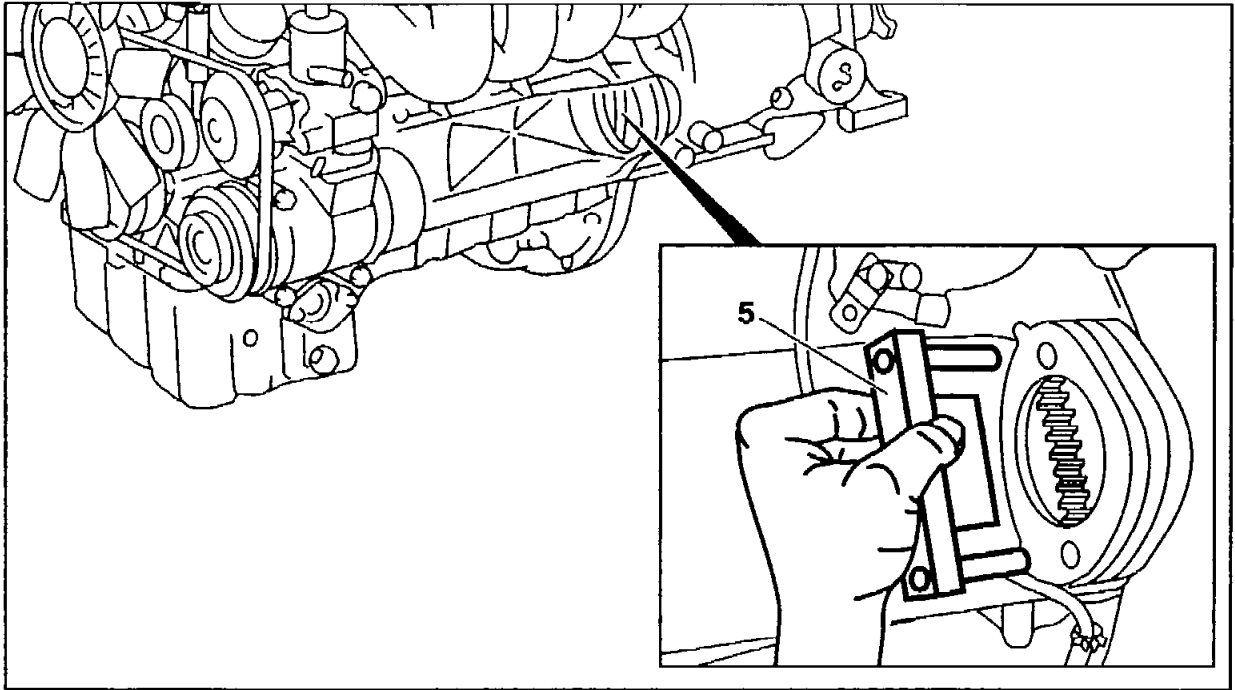
P03.00-0243-57

Retaining lock at oil sump

End cover (2) at rear of oil sump	take off, fit on.
Bolts (1) M6 × 85	unscrew, screw on.
Retaining lock (3) 601 589 02 40 00	allow to lock in ring gear, rotate crankshaft if necessary.
Retaining lock (3)	unbolt, bolt on (10 Nm).



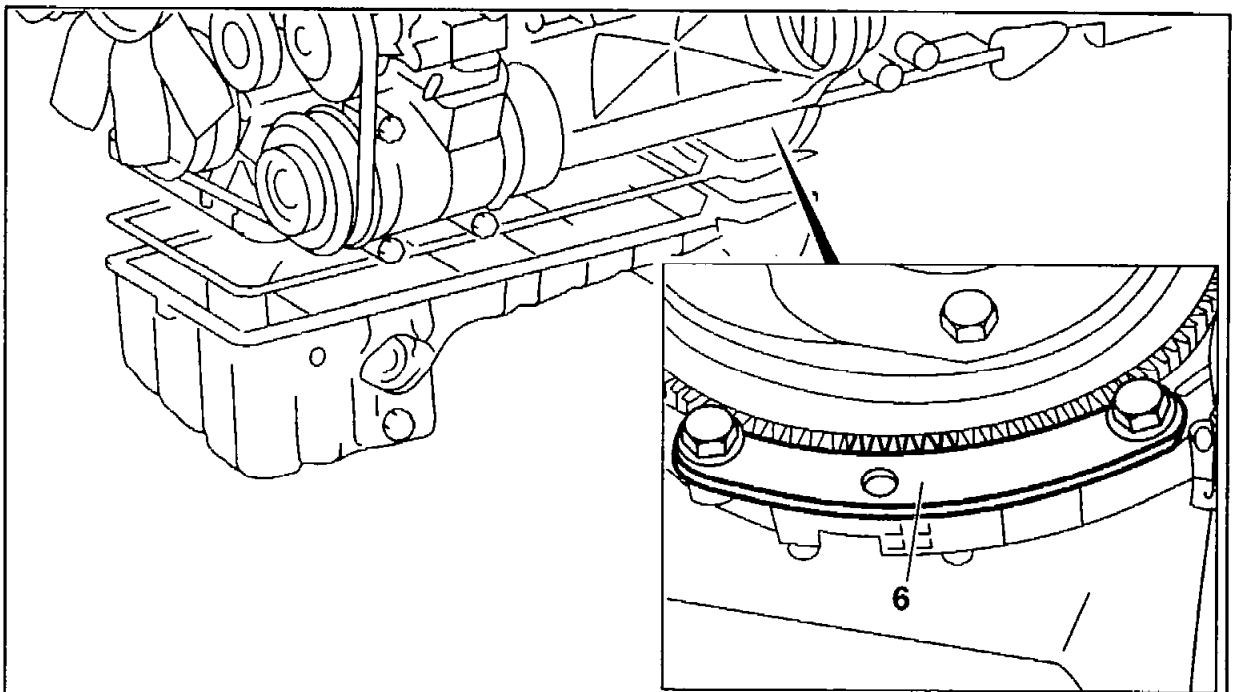
Attach retaining lock (3) with M6 × 90 bolts (4) (supplied with part) otherwise in the rear end cover will be damaged.



P03.00-0246-55

Retaining lock at starter opening

Retaining lock (5) 602 589 00 40 00 insert into starter opening with starter removed and allow to lock in ring gear; rotate crankshaft if necessary.



P03.00-0247-55

Retaining lock at transmission bell housing

Retaining lock (6) 102 589 01 40 00 attach in ring gear with sump removed and transmission flanged on; rotate crankshaft if necessary.

Special tools

