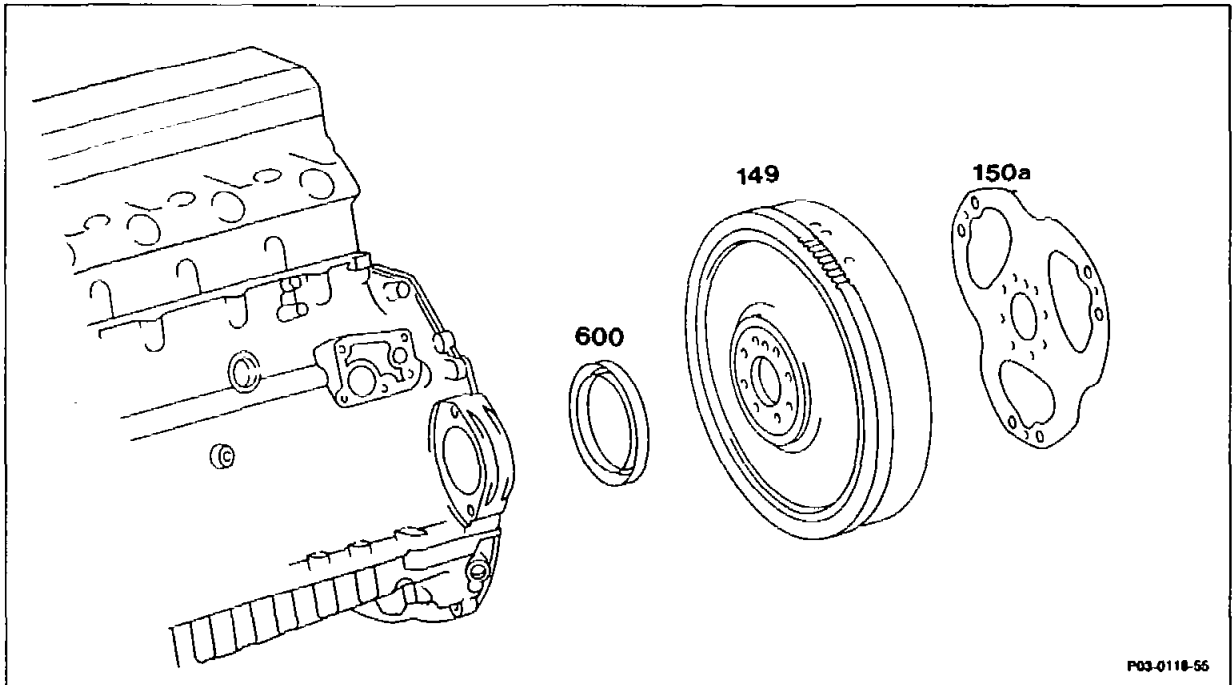



03-327 Replacing rear crankshaft radial sealing ring

Preceding work:
Transmission removed (26-020 or 27-600).

Operation no. of operation texts and work units or standard texts
and flat rates
03-3063



P03-0118-56

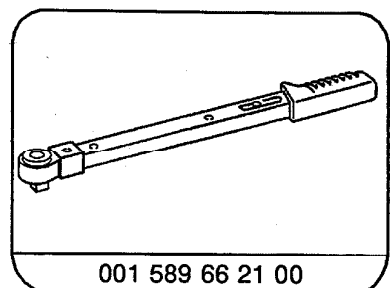
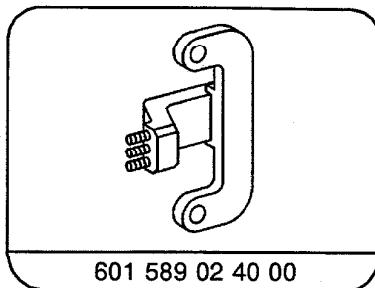
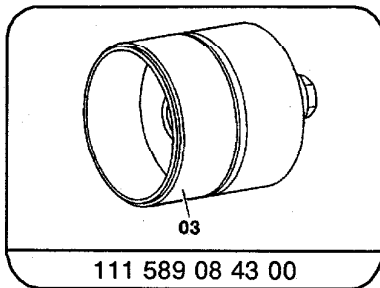
<p>Flywheel (149) and driven plate (150a)</p> <p>Crankshaft radial seal (600)</p>	<p>remove, install, (03-410) (items 1, 9).</p> <p>remove, renew. Check running surface on crankshaft flange, clean mounting bore, coat sealing lip of crankshaft radial seal with oil and press in with special tool 601 589 03 43 00 (items 2 - 8).</p>
<p>Crankshaft radial seal (600)</p>	<p></p> <p>Assure that radial seal is seated properly.</p> <p>check for leakage with engine running (item 10).</p>

Note

The repair sealing rings offset 3 mm to the inside is no longer supplied as a replacement part.

If the crankshaft shows signs of wear at the rear, the sealing ring must be pressed in a further 3 mm. Use the insertion sleeve 111 589 08 43 03, part of basic tool 111 589 08 43 00, for this step.

Special tools

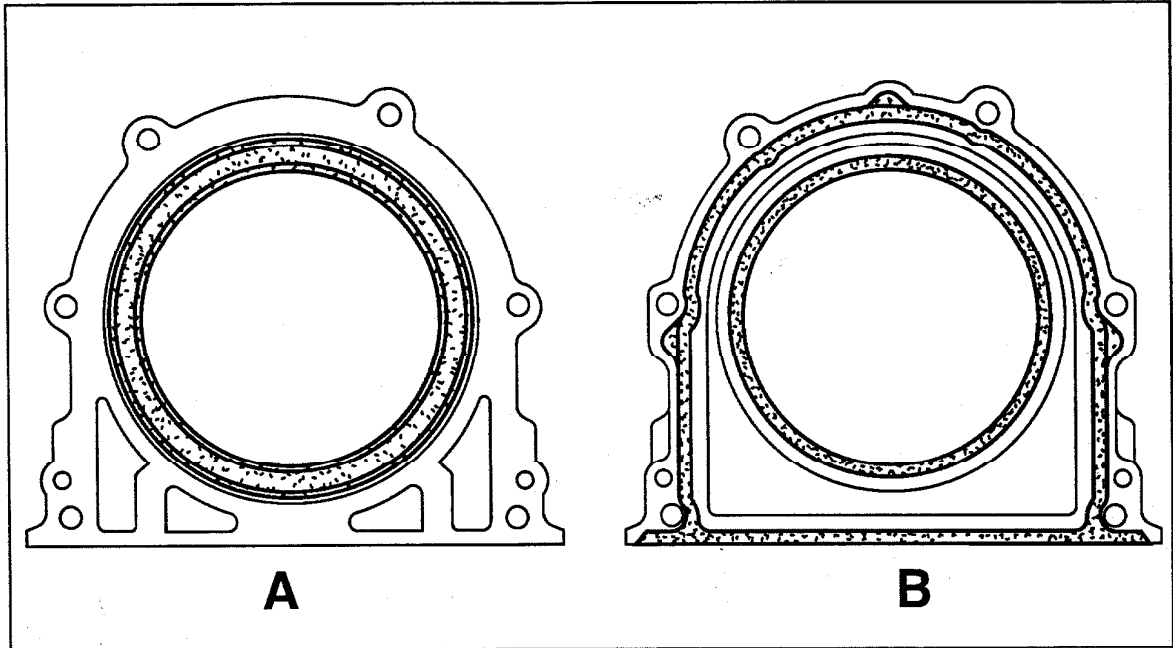


Note

Since 09/94 an end cover with integrated shaft seal (version B) has been fitted to engine 601, 602, 603. End cover and shaft seal are a unit; the shaft seal is vulcanized in the cover.



When performing repairs, install the previous version of radial shaft seal and end cover.

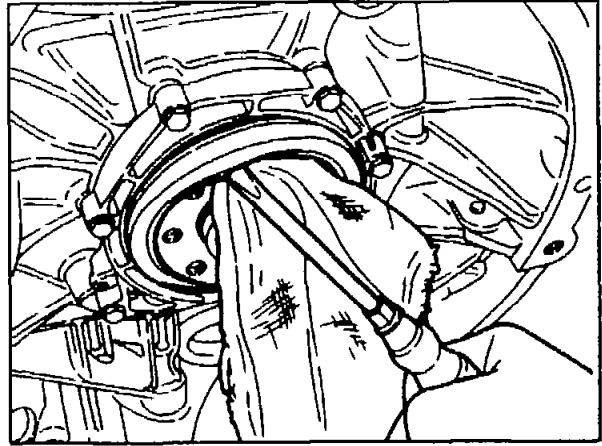


P03.00-0215-55

Renewal

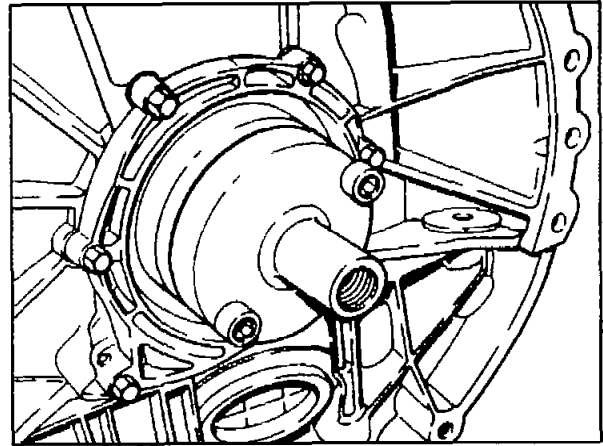
- 1 Remove flywheel or flywheel and driven plate (03-410).
- 2 Press crankshaft radial seal out of end cover with screwdriver.

Do not damage crankshaft flange or end cover.
Cover crankshaft flange with rag.



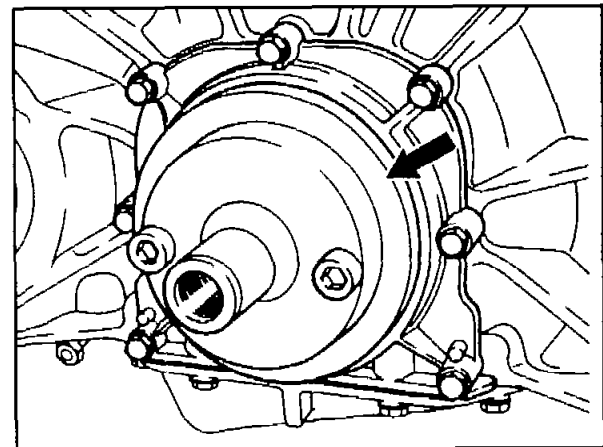
P03-2080-13

- 3 Check running surface for crankshaft radial seal on crankshaft flange for damage.
- 4 Clean mounting hole for crankshaft radial seal, deburr, if required.
- 5 Screw inner part of installation tool 111 589 03 43 00 onto crankshaft flange.



P03-2081-13

- 6 Coat sealing lip of crankshaft radial seal and opposite running surface lightly with oil, do not use grease.
- 7 Slide crankshaft radial seal (arrow) over inner part of installation tool 111 589 03 43 00.



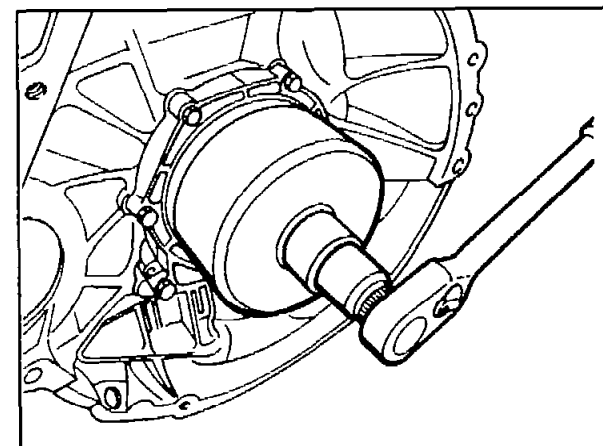
P01-2184-13

- 8 Press crankshaft radial seal against stop in end cover with outer part of installation tool 111 589 03 43 00 or 111 589 08 43 03.

Note

Assure that crankshaft radial seal is properly seated.

- 9 Install flywheel or flywheel and driven plate (03-410).
- 10 Check for leakage with engine running.



P03-2129-13