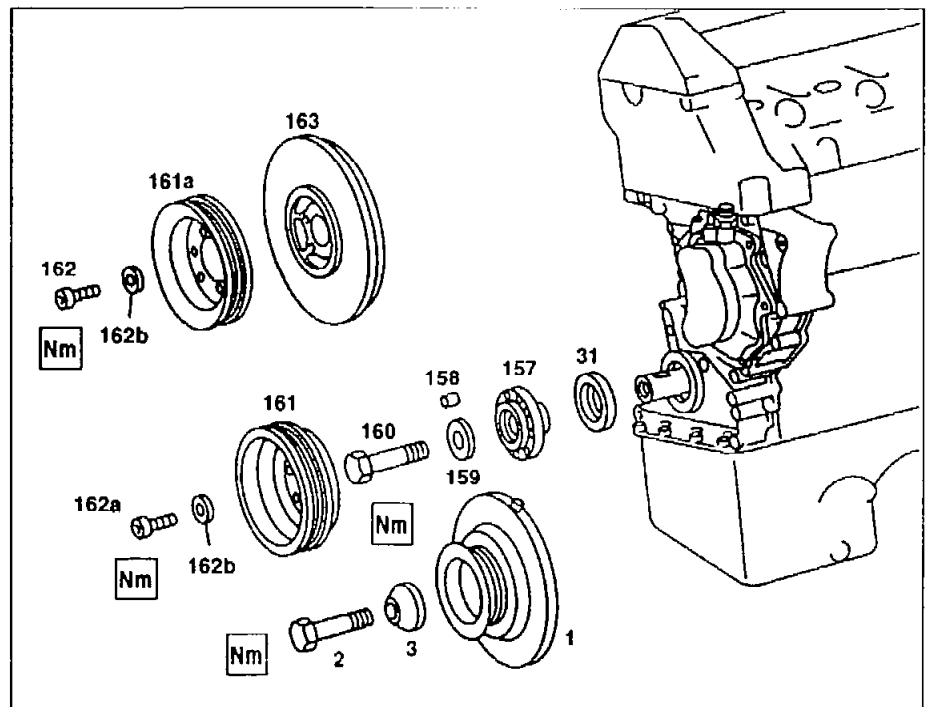


ENGINE 601, 602, 603 (except , 602.98)

- 1 Vibration damper with hub
(one-sectioned)
2 Central bolt 10.9
3 Conical piece
157 Hub
158 Dowel pin
159 Dished washers (3 in total, install
with convex face pointing to each
other)
160 Central bolt 8.8
161 Belt pulley
161a Belt pulley
162a Bolt
162b Bolt
163 Vibration damper




P03.30-0316-06

Modification notes

1.6.95	Parallel key at front of crankshaft modified	see step 7	AR03.30-P-1600HW
--------	--	------------	------------------

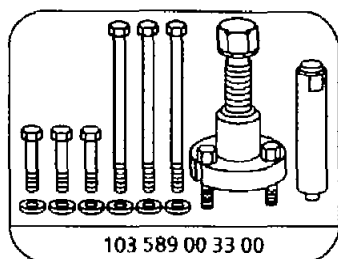
	Removing, installing		
1.1	Remove radiator	Engine 601, 602 in model 124, 201 Engine 603 in model 124, 126, 140	AR20.20-P-3865HW
2	Remove poly V-belt		AR13.22-P-1202HW
3	Install retaining lock for crankshaft/starter ring gear		03-500
4.1	Remove crankshaft belt pulley (161)	<p>i Engine 601 in model 124, 201 1st version</p> <p>i The crankshaft belt pulley is centered by the straight pin (158). Washers (162b) are placed below the hexagon socket bolts.</p>	BA03.30-P-1002-01A
5.1	Remove crankshaft belt pulley (161a) and vibration damper (163), place washers (162b) below	<p>i Engine 601 in model 124, 2nd version as of 10/85 and engine 602, 603</p> <p>i The crankshaft belt pulley and the vibration damper are centered by the straight pin (158). Place washers (162) below bolts (162b).</p>	BA03.30-P-1002-01A
6.1	Remove hub (157).	<p>i Engine 601 in model 124 2nd version as of 10/85 and engine 602, 603</p> <p>i Installation: Install dished washer (159) with convex face pointing toward bolt head.</p> <p>S</p>	BA03.30-P-1007-01A 103 589 00 33 00



7	Remove crankshaft belt pulley together with vibration damper and hub (1), install	<p>i Engine 601 in model 124, 3rd version as of 09/94, engine 601 in model 202</p> <p>i The crankshaft assembly has been modified. The central bolt has been modified from 10.9 to 8.8 (material strength).</p> <p>The two versions, central bolt with dished washers and central bolt with washer, must not be mixed up.</p>	BA03.30-P-1001-01A
 BT	Parallel key at front of crankshaft modified		BT03.20-P-0001-01B
8	Install in the reverse order		

Nm Flywheel, driven plate, vibration damper, starter ring gear

Number	Designation	Engine 601, 602, 603 with/without automatic transmission		
BA03.30-P-1001-01A	Central bolt vibration damper strength class 8.8	1st stage	Nm	200
		2nd stage	Δ°	90
BA03.30-P-1002-01A	Bolt belt pulley/vibration damper to hub		Nm	25
BA03.30-P-1007-01A	Central bolt vibration damper strength class 10.9		Nm	320



Puller