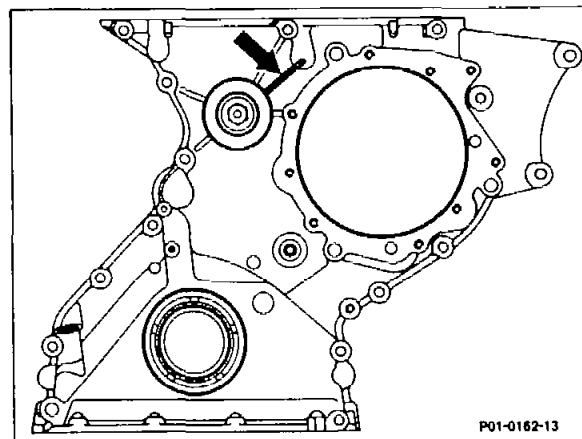


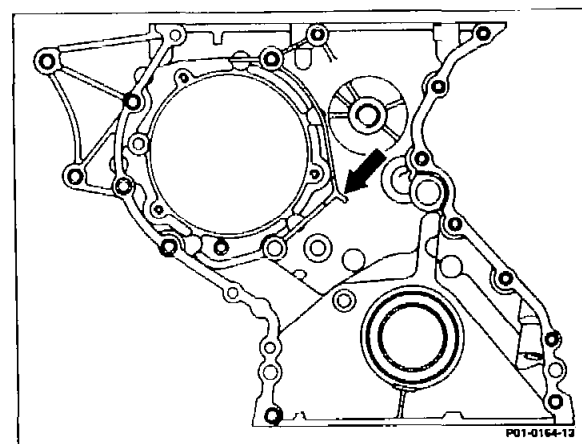
Additional reinforcements on timing case cover, engine 601

This timing case cover was provided with additional reinforcement ribs at the eye of the bearing bolt for the V-belt tensioning lever (arrow) and securing the plug cap in the main oil duct (arrow, timing case cover - back).

Timing case cover - front



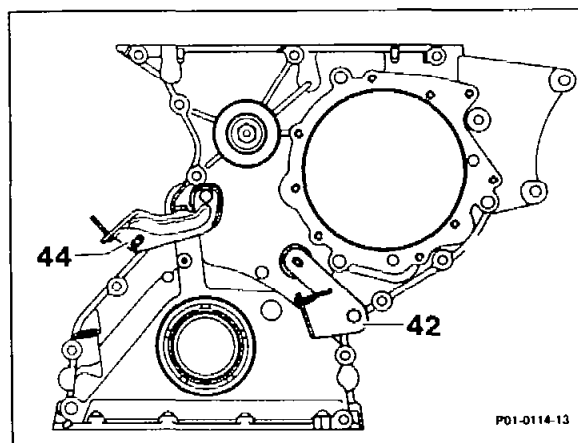
Timing case cover - back



Standardization of timing case covers

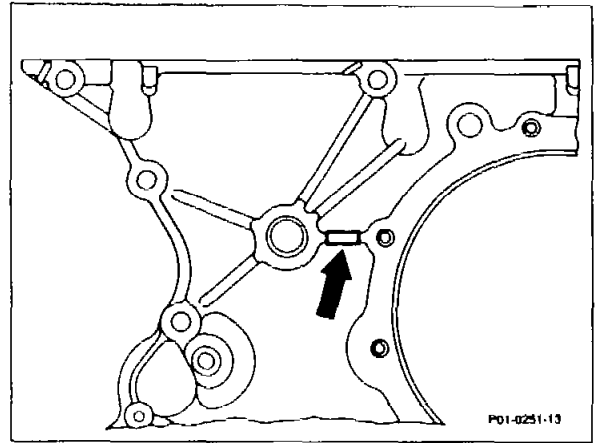
In the past it has only been possible to install the specific mount for the TDC sensor (42) on the timing case cover for engine 601.

Within the scope of standardization since 11/84 engine 601 has been equipped with a timing case cover, which also allows the mount for the TDC sensors for engines 602 and 603 to be installed. The timing case covers for these three engines are now identical.



Additional modification to timing case cover to prevent cracking

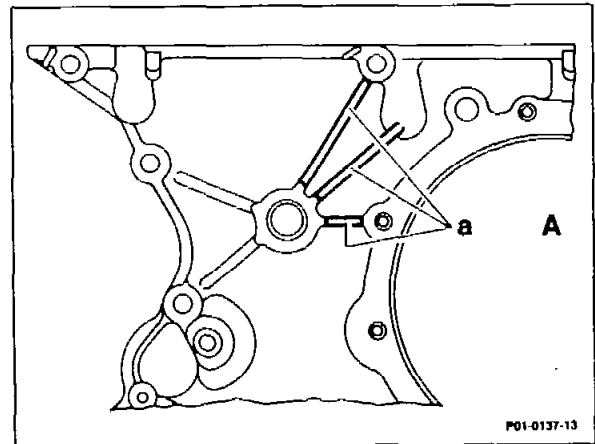
To prevent cracking in the area of the tensioning lever bearing and the vacuum pump the horizontal rib (arrow) has been modified.



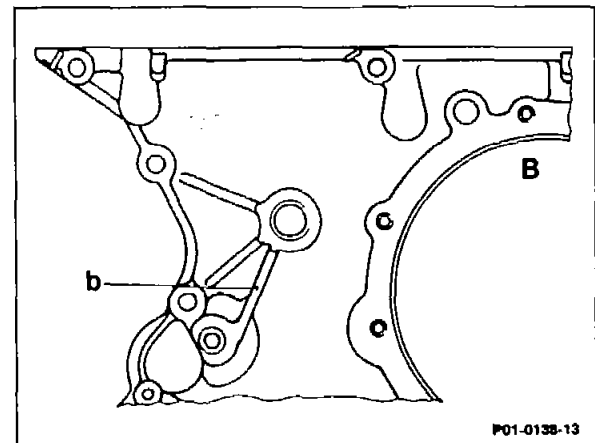
Modification of reinforcement ribs in area of tensioning lever bearing

The reinforcement ribs (a) on the right at the bearing bolt eye for the tensioning lever bearing have been eliminated. The reinforcement rib (b) at the bottom left has been added. Production breakpoint 11/88.

These modifications prevent cracking in this area.

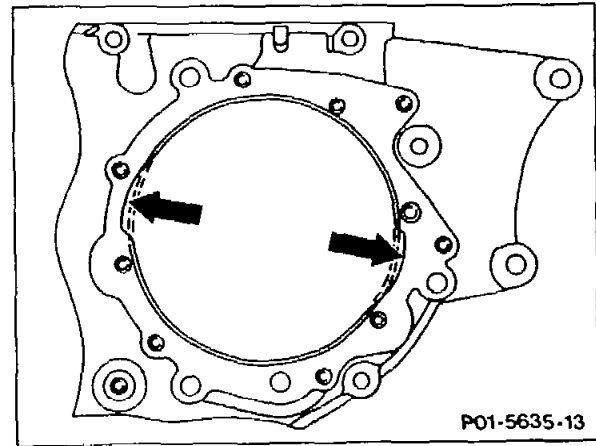


A Previous version



B Present version

Since 05/92 the cutout for the injection timing device has been enlarged (arrows).



On engines 603.971 the timing case cover had been strengthened by means of wider ribbing (arrows) in the area of the attachment for the power steering pump or the tandem pump. As a result of repositioning the dipstick guide tube at the oil pan, the hole in the timing case cover is sealed with a plug.

