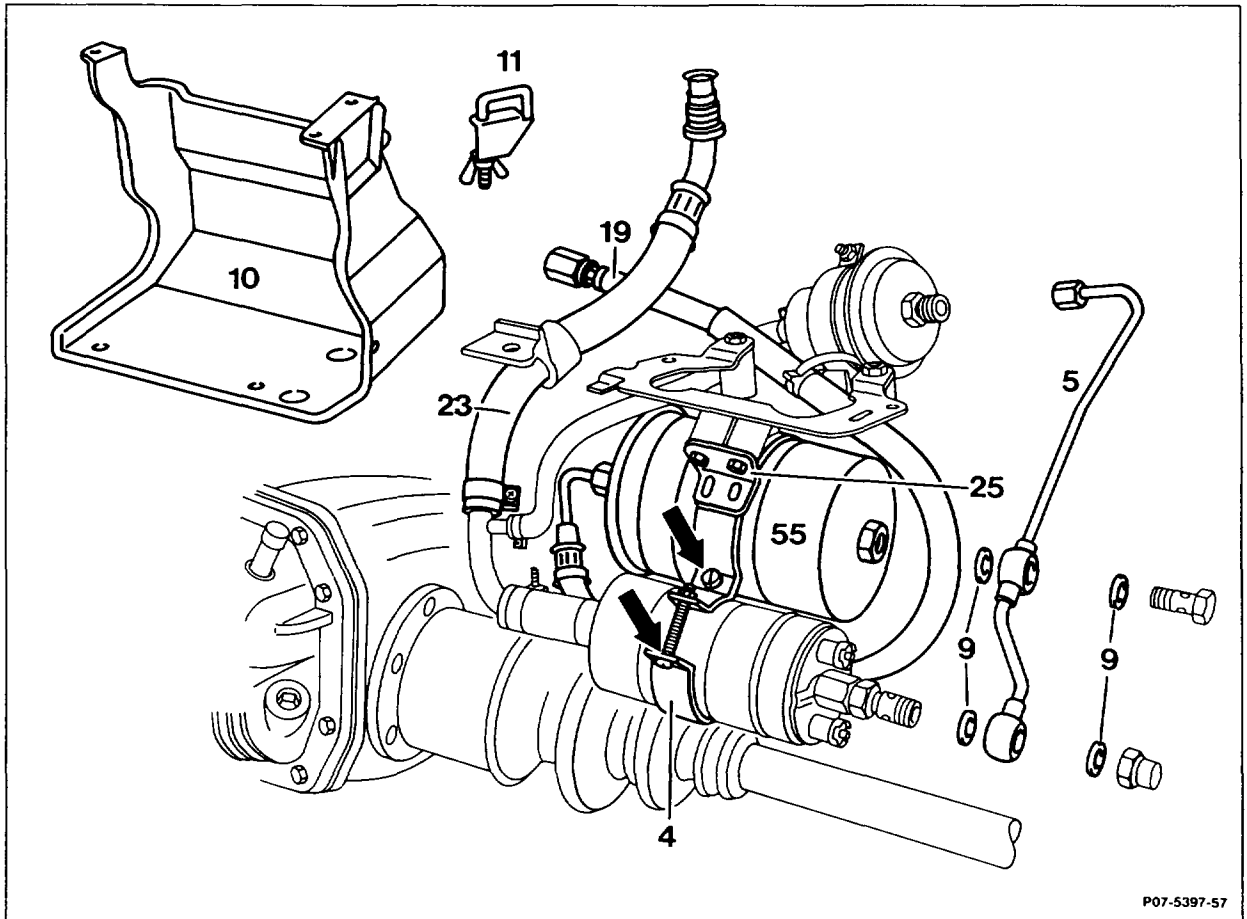



## 07.3-5563 Removing and installing fuel filter

Operation no. of operation texts and work units or standard texts  
and flat rates:  
07-5563.

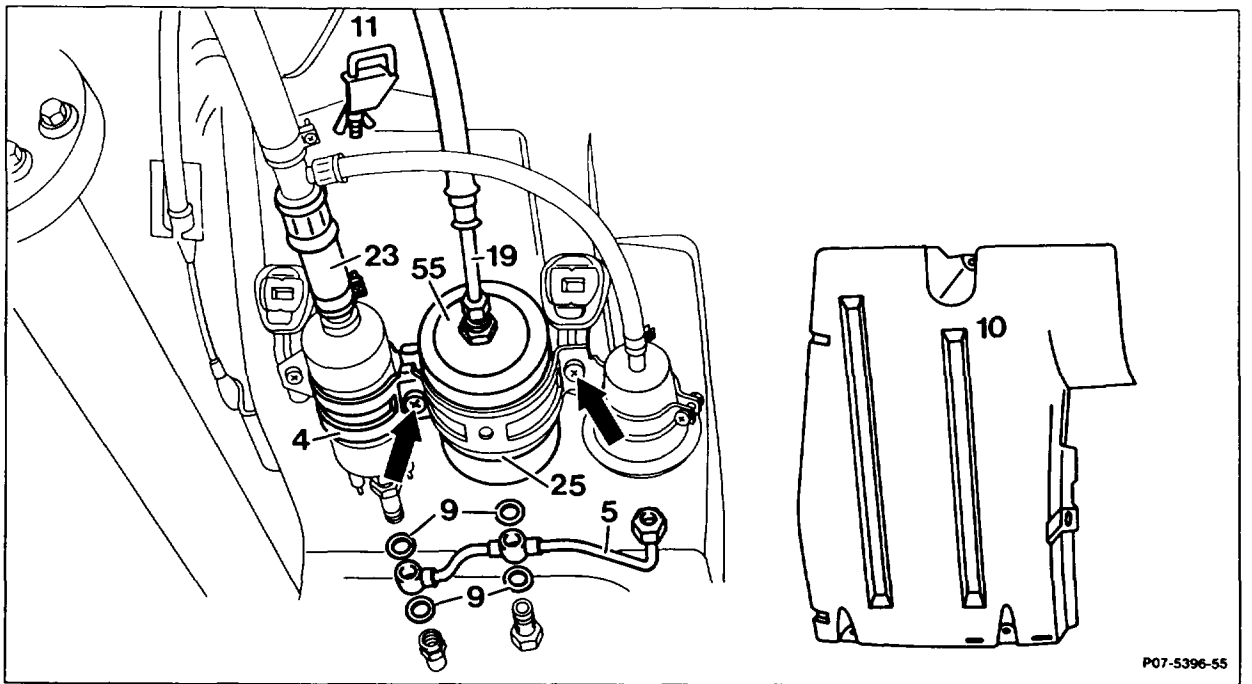


Models 107, 126: fuel pump set with one fuel pump

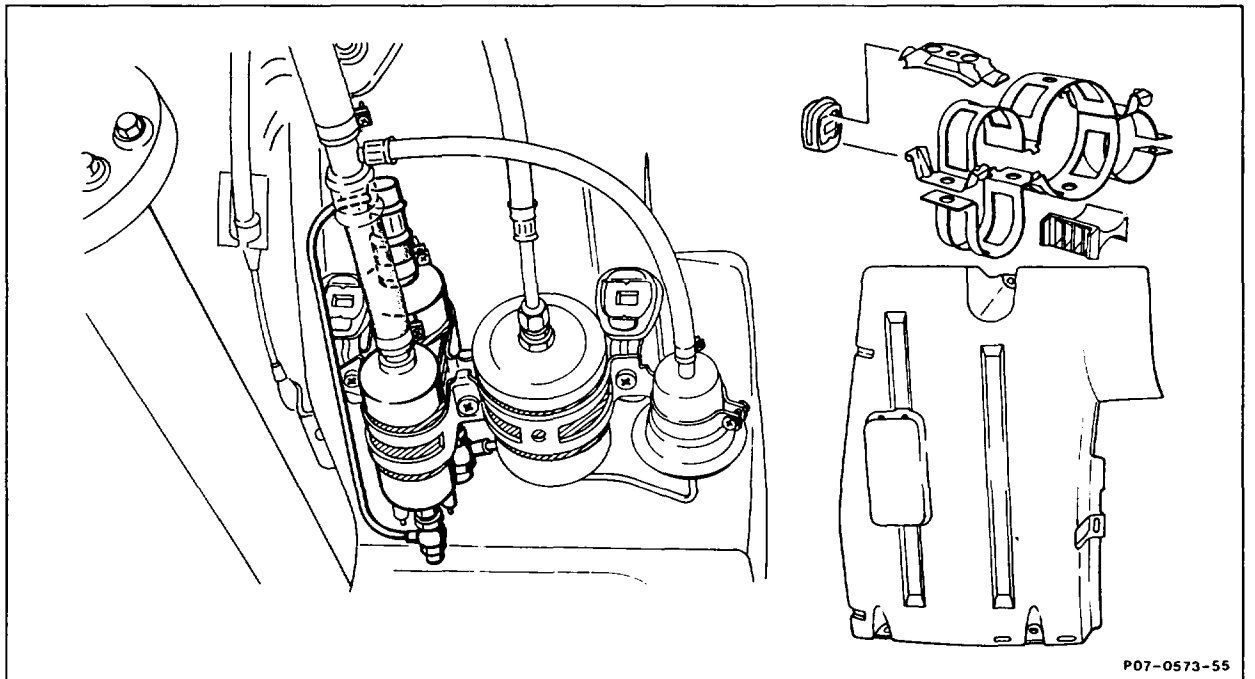
### Note

Models 124, 129, 201 (without  and Gulf States)

Model 124 (as of 02/93), model 129 (as of 06/93), model 201 (as of 01/93) conversion of fuel filter to 0.4 liter (was 0.6 liter).



Model 124: fuel pump set with one fuel pump



Models 124, 129: fuel pump set with two fuel pumps

Pressure in fuel tank . . . . .	release by opening cap, close.
Ground cable at battery . . . . .	disconnect, connect.
Protective box (10) . . . . .	unscrew, screw on.
Fuel suction hose and fuel pressure hose (23, 19) . . . . .	pinch off with clamp (11). Special tool 000 589 40 37 00. For model 124.090 pay attention to note (07.3-5710).
Fuel line (5) . . . . .	at fuel accumulator, fuel pump and fuel filter, unscrew, screw on.
Fuel pressure hose (19) . . . . .	unscrew, screw on.
Securing screws (arrows) . . . . .	at holder (4) slacken, tighten.
Fuel filter (55) . . . . .	remove, insert.

**Note**

When exchanging the fuel filter, it is essential to ensure that the plastic sleeve (25) is installed between fuel filter and holder (4). It must project on both sides of the holder as direct contact of the fuel filter with the holder can cause contact corrosion.

Seals (9) . . . . .	replace.
Leaktightness of all connection points . . . . .	check with engine running.

**Special tool**

