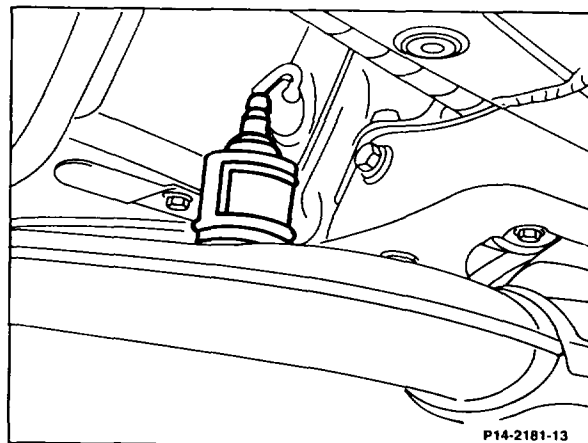
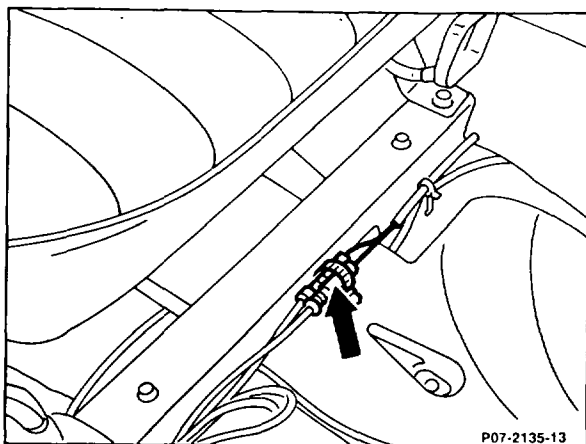


07.3-5303 Replacing oxygen sensor

Operation no. of operation texts and work units or standard texts and flat rates:
07-5303.



Plug connection of oxygen sensor heating coil (G3/2x1) and plug connection of oxygen sensor signal (G3/2x2) (arrow)

separate in passenger compartment, fit together. Pay attention to note for model 129.

Cable of oxygen sensor with rubber grommet ...

press to outside from passenger compartment, insert.

Splash water plate

Installation note

Ensure rubber grommet is correctly seated in transmission tunnel.

pull off, fit on.

Oxygen sensor

Installation note

Install heat transmission plate with the opening to the rear.


unscrew, install.

Tightening torque: 50-60 Nm.

Lambda control

Installation note

Coat thread with paste 000 989 76 51.

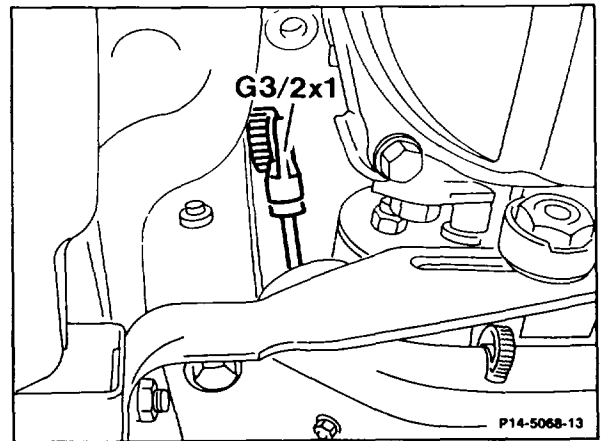
test, adjust (07.3-2053 or  07.3-5203).

Model 129

The 3-pin oxygen sensor plug connection (G3/2x1) is located on the outside right at the transmission tunnel.

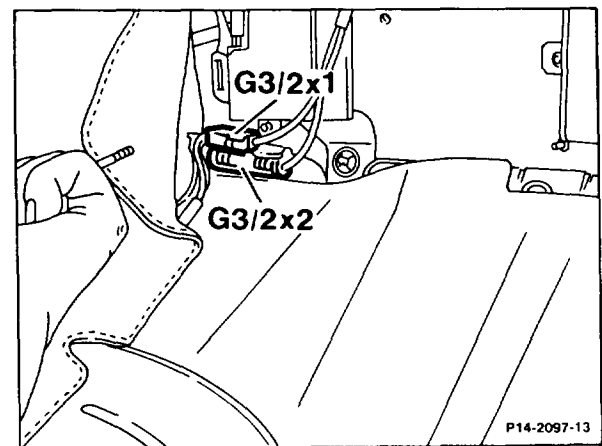
Note

Slackening union nut = turn counter-clockwise.
Tightening union nut = turn clockwise.



Models 107, 126

In right footwell below floor plate.



G3/2 × 1 Plug connection, oxygen sensor heating coil
G3/2 × 2 Plug connection, oxygen sensor signal

Note re model 124

On all vehicles of model 124 with M103, the oxygen sensor with the identification OS 0002 can be installed when retrofitting RÜF vehicles or when replacing the sensor.

If the oxygen sensor OS 0001 is stated in the vehicle registration document page 4, para 34, the vehicle owner must also be given a copy of the certificate of the Motor Vehicle Registration Office in addition as a confirmation that the oxygen sensor OS 0002 has been installed (applies to Germany only).