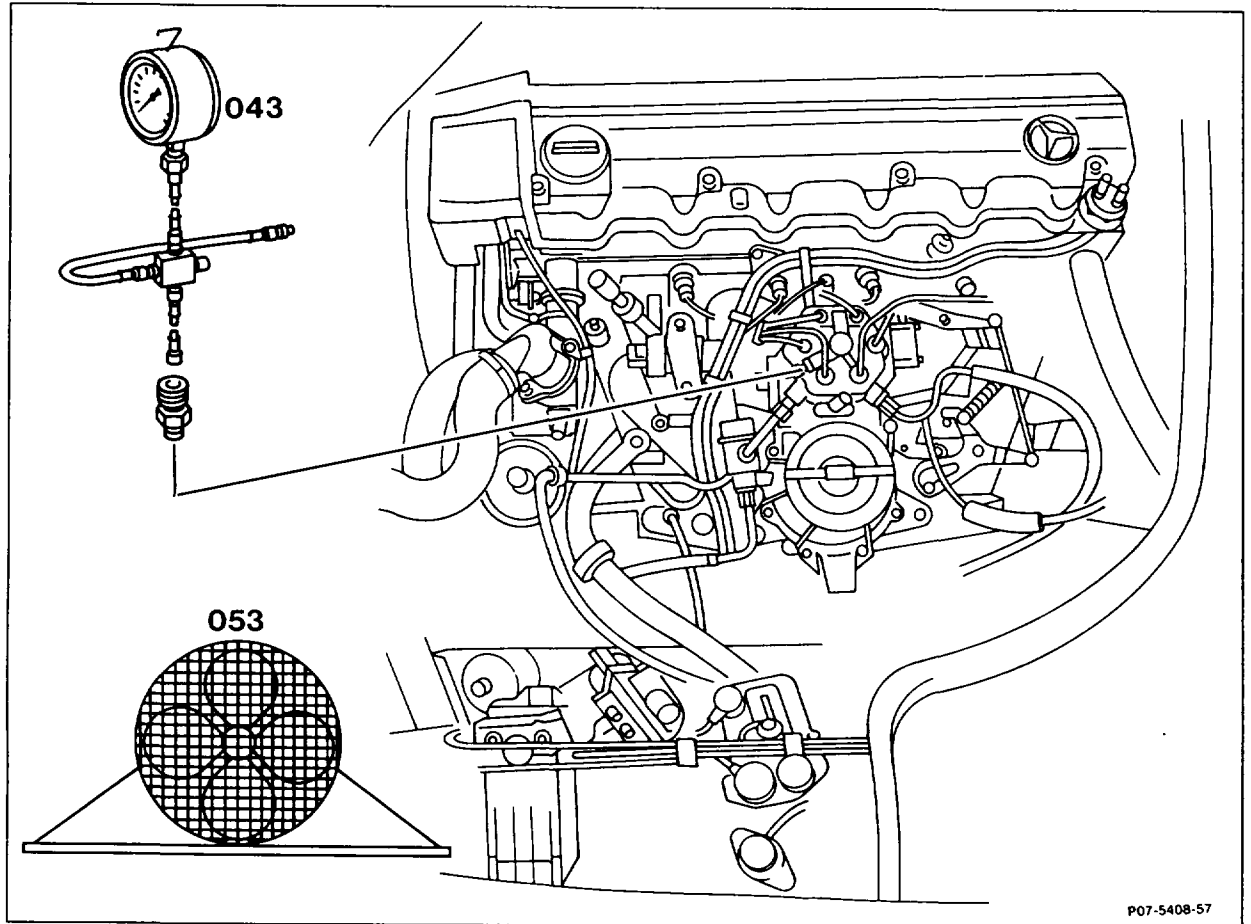


07.3-2320 Performing cold start

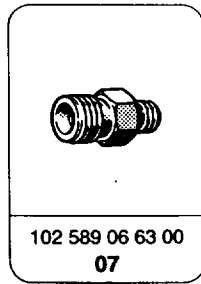
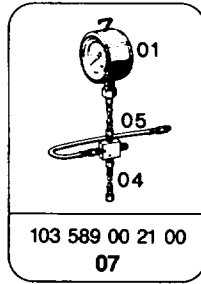
Preceding work:
Testing, adjusting engine (07.3-1100).

Operation no. of operation texts and work units or standard texts
and flat rates:
07-2320.



Pressure measuring device (043)	connect (07.3-1603), special tool 103 589 00 21 00, double union 103 589 06 63 00.
Engine	run to build up pressure.
Fan (053)	switch on.
Cold start	Cool engine (or allow to stand overnight). perform, keeping a check on pressure gauge. If necessary, test fuel pressures (07.3-1603) or electronic components of KE injection system (07.3-0121).

Special tools



Test and adjustment data

Fuel pressures (in bar gauge)

Engine		103	
System pressure when engine cold or at normal operating temperature		5.3–5.5	
Lower chamber pressure	engine at normal operating temperature	approx. 0.4 ¹⁾	
	coolant temperature + 20°C	stationary or engine idling	approx. 0.5 ¹⁾
		and acceleration enrichment	≥ 3.8
with decel fuel shutoff		5.3–5.5 ²⁾	

¹⁾ Below previously measured system pressure.

²⁾ Lower chamber pressure equal to system pressure.