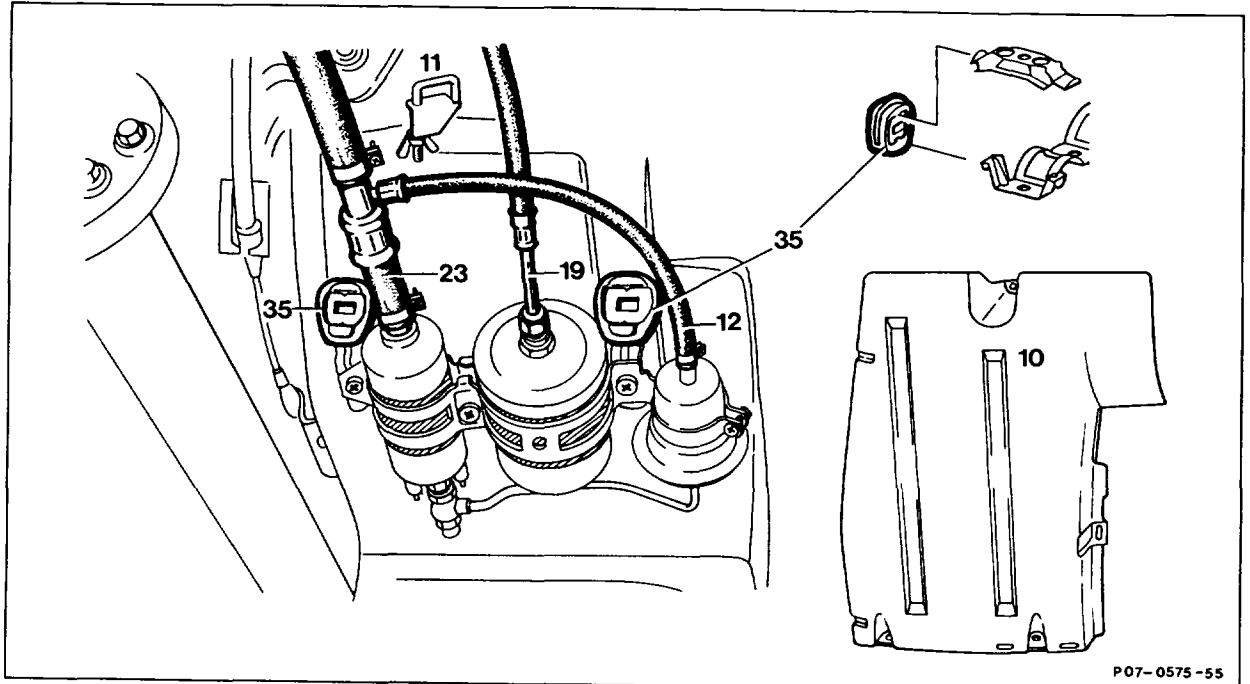


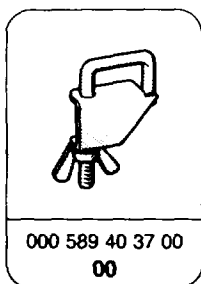
A. Removing and disassembling fuel pump set



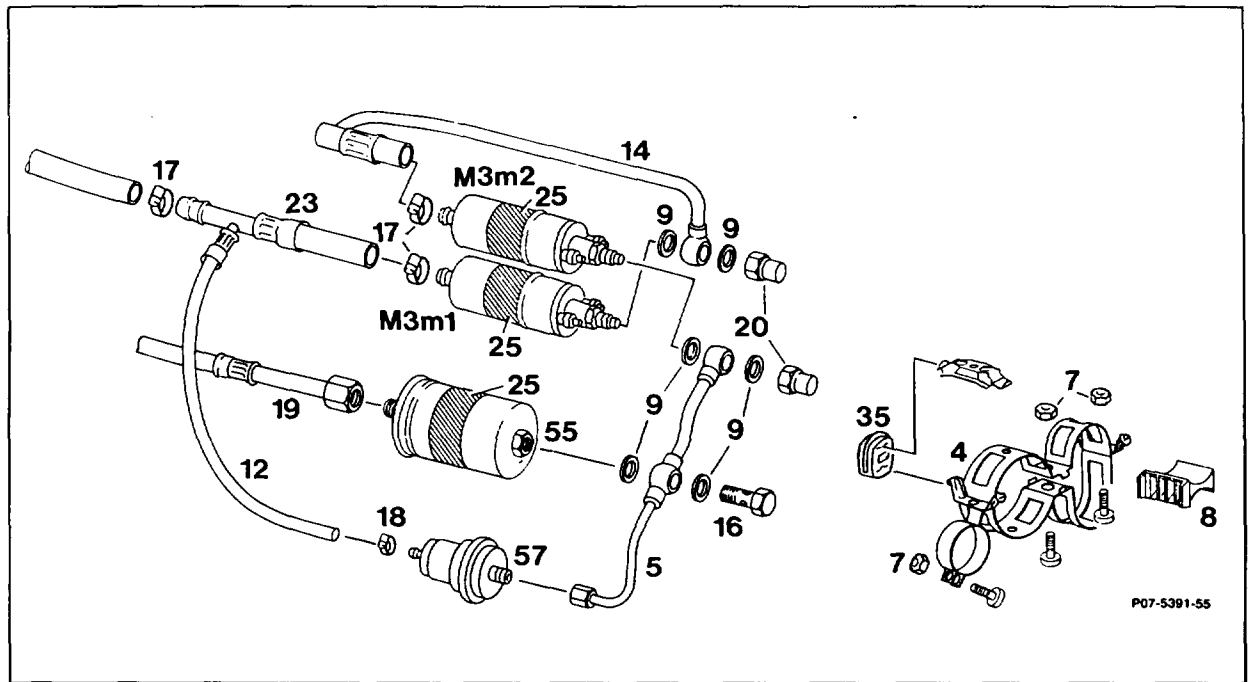
P07-0575-55

Vacuum in fuel tank	release by opening cap.
Ground cable at battery	disconnect.
Protective box (10)	unscrew.
Electric wiring at fuel pump	disconnect.
Fuel suction hose and fuel pressure hose (19, 23)	pinch off with clamp (11). Special tool 000 589 40 37 00.
Fuel suction hose, pressure hose and leak hose (19, 23, 12)	unscrew.
Rubber rings (35)	remove.
Fuel pump set	disassemble.

Special tool



B. Assembling fuel pump set



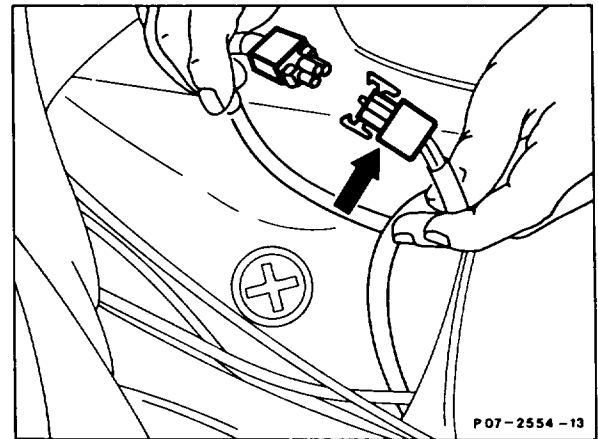
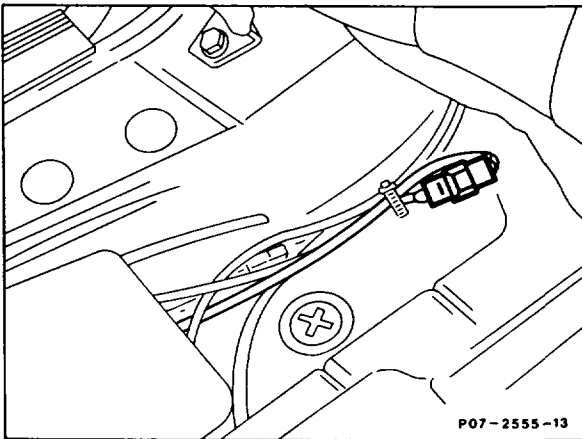
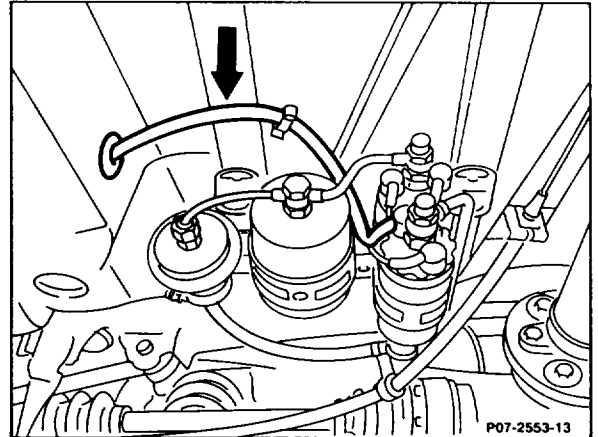
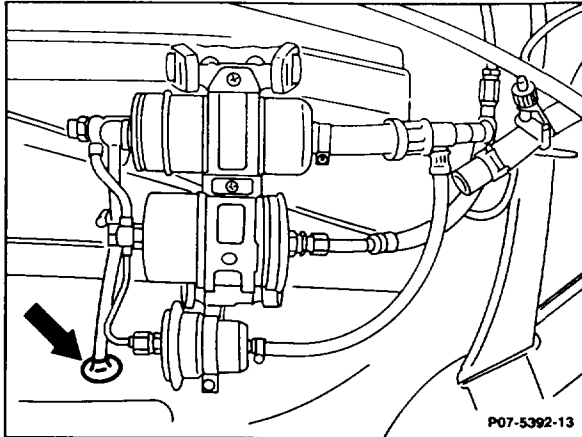
- | | | | |
|----|---------------|------|--------------------|
| 4 | Holder | 18 | Hose clip |
| 5 | Fuel line | 19 | Fuel pressure hose |
| 7 | Nut | 23 | Fuel suction hose |
| 8 | Spacer sleeve | 25 | Plastic sleeve |
| 9 | Seal | 35 | Rubber ring |
| 12 | Leak hose | 55 | Fuel filter |
| 14 | Fuel line | 57 | Fuel accumulator |
| 16 | Banjo bolt | M3m1 | Fuel pump 1 |
| 17 | Hose clip | M3m2 | Fuel pump 2 |

Fuel pump set assemble.

Note

When assembling the fuel pump set, it is essential to ensure that the plastic sleeve (25) is fitted between fuel pumps and holder (4). It must project on both sides of the holder as direct contact between the fuel pump and the holder can produce contact corrosion.

C. Installing fuel pump set



Previous wiring harness
 New rubber rings
 Fuel pump set
 Fuel hoses
 New wiring harness 124 540 78 10
 Wiring harness
 Rear seat squab
 Cable shoes and rubber caps

push into vehicle interior.
 install.
 install.
 lay and connect free of kinks.
 connect to fuel pumps.
 lay in interior and install rubber grommet.
 remove, install.
 cut off on standard wiring harness.

Both cables insulate.
 Bushes solder on.
 and coupling 008 545 08 28 install.

Note

Wiring harness plug together and fix with cable strap.
 Ground cable at battery connect.
 Leaktightness of all connection points check with engine running.
 New protective box install.

Note

Model 124.026/030

Since September 1986 a second fuel pump has been installed in these vehicles with an indefinite production breakpoint.

If engine running problems occur on vehicles manufactured prior to this date which are due to the formation of vapour bubbles during extreme outside temperatures, a second fuel pump can be installed.

When dealing with the complaint "fuel pump loud" (see microfilm Fault finding, Group 07.3), installation of a second fuel pump does not offer any remedy.

Production breakpoint

Model	Vehicle ident end no.
124.026/030	1A 368937

Parts

Qty	Designation	Part no.
2	Fuel pump	002 091 88 01
1	Holder	124 470 20 81
1	Spacer sleeve	201 478 01 53
1	Fuel line	124 470 28 64
1	Fuel line	201 470 24 64
1	Fuel suction hose	124 470 37 75
1	Closing nut	123 990 00 53
6	Seal	000 997 56 44
2	Hose clip 21 mm diameter	916033 021100
1	Hose clip 11 mm diameter	916033 011100
1	Wiring harness	124 540 78 10
1	Coupling	008 545 08 28
2	4 mm dia. bush	003 545 26 26
1	Cable strap	001 997 42 90
1	Protective cover	124 478 04 37
4	Rubber ring	124 478 05 82
1	Fuel filter	002 477 13 01