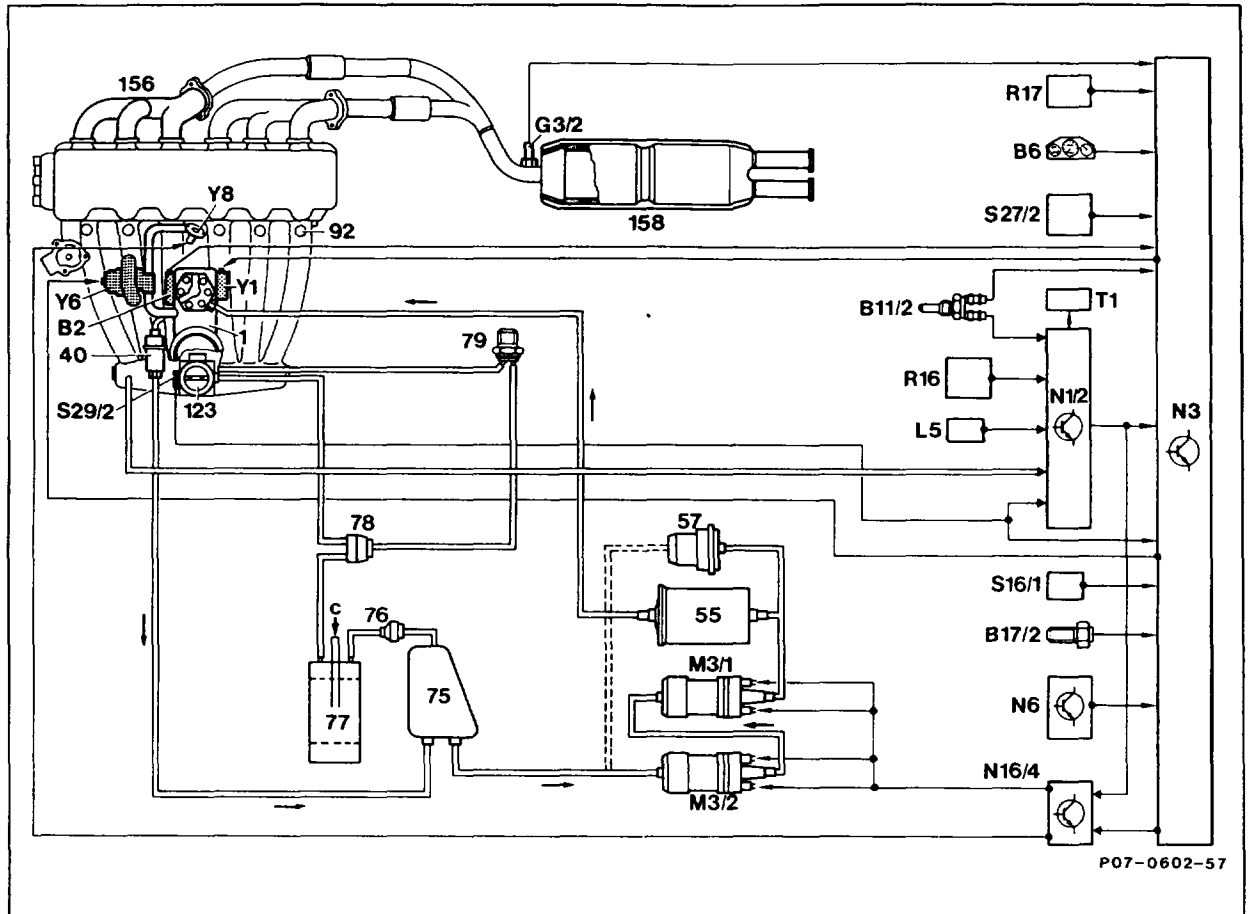


# 07.3-0013 Function diagram KE injection

## A. Basic and national versions engine 103.94/98 with KAT except 103.984



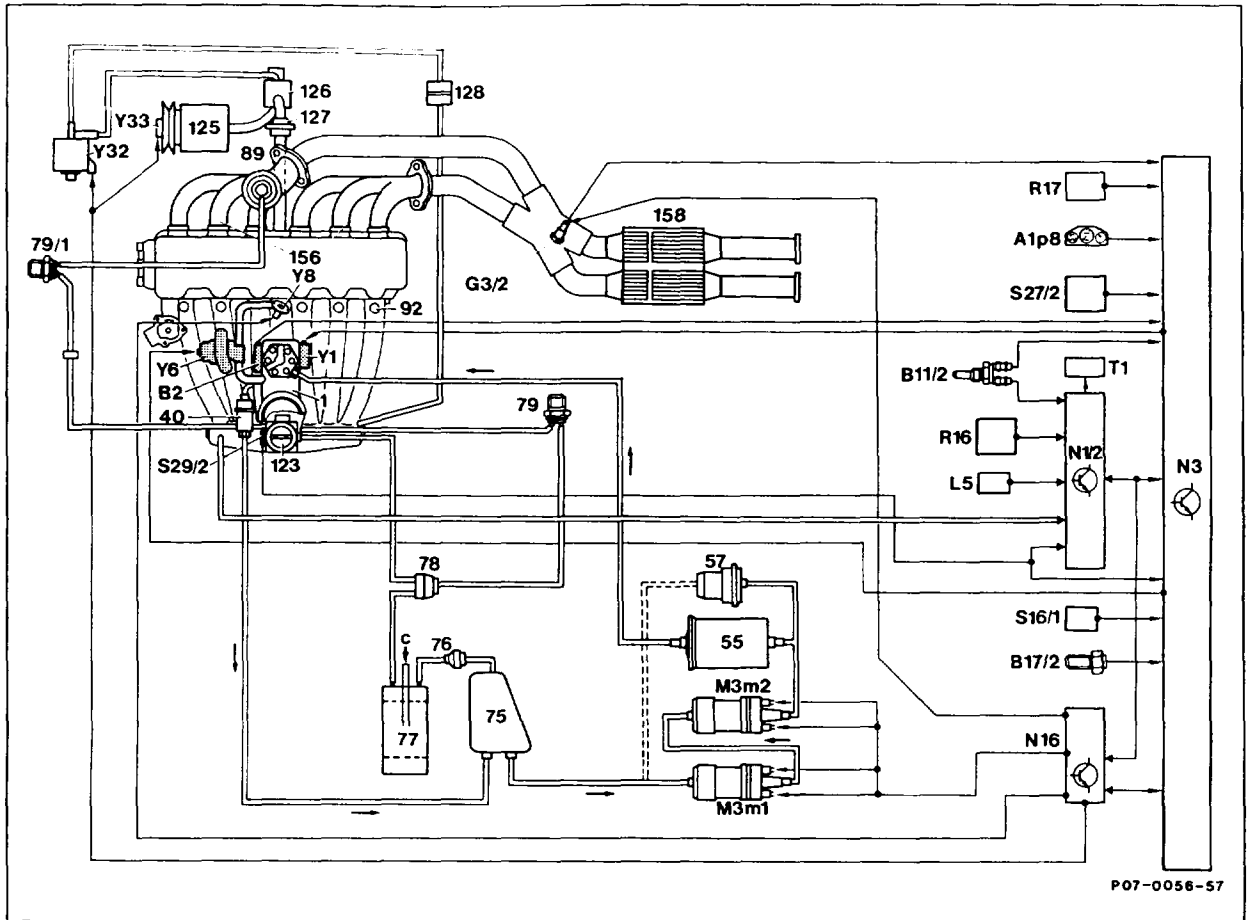
1	Mixture control unit	M3m1	Fuel pump 1
40	Diaphragm pressure regulator	M3m2	Fuel pump 2
55	Fuel filter	N1/2	EZL ignition control unit
57	Fuel accumulator	N3	KE control unit
75	Fuel tank	N6	A/C compressor cutoff control unit
75a	Model 124 Station Wagon: rear line directly in fuel tank	N16/4	Fuel pump relay with cold start valve actuation, kickdown and engine speed limiter
76	Vent valve	R16	EZL resistance trimming plug
77	Activated charcoal filter	R17	KE resistance trimming plug
78	Regeneration valve	S16/1	Starter lockout and reversing light switch
79	70°C thermostatic valve	S27/2	Decel fuel shutoff microswitch
92	Injection valve	S29/2	Throttle valve switch, full load/idle speed recognition
123	Throttle valve body	T1	Ignition coil
156	Exhaust manifold	Y1	Electrohydraulic actuator
158	Underflow catalytic converter	Y6	Idle speed air valve
B2	Air flow sensor position indicator	Y8	Start valve
B6	Hall-effect road speed sensor	c	Air admission
B11/2	Coolant temperature sensor (EZL/KE)		
B17/2	KE intake air temperature sensor		
G3/2	Heated oxygen sensor		
L5	Crankshaft position sensor		

### Note

Oxygen sensor (G3/2) and catalytic converter (158) not fitted to vehicles without KAT.



# Engine 103.984 with KAT, model 129



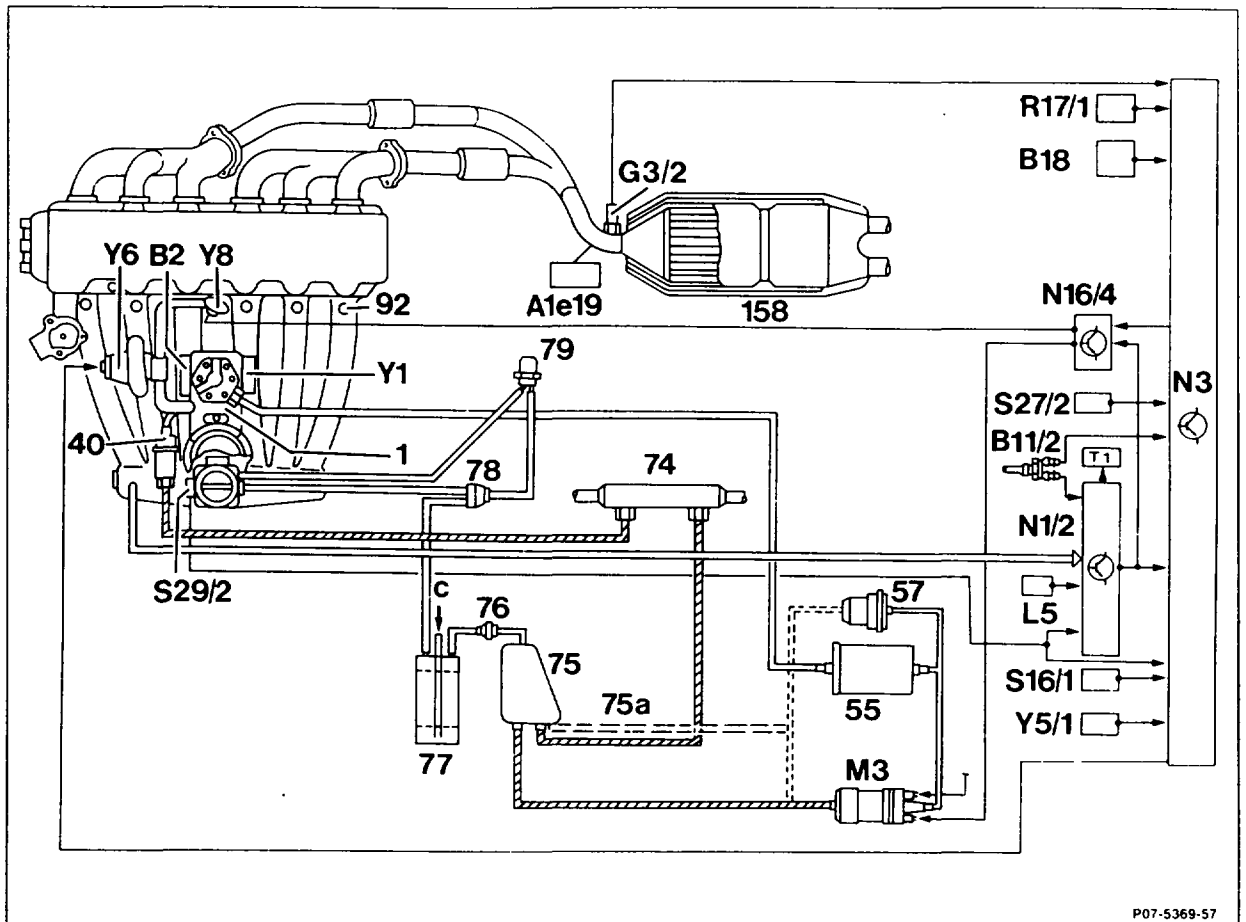
1	Mixture control unit	B17/2	KE injection system intake air temperature sensor
40	Diaphragm pressure regulator	G3/2	Heated oxygen sensor
55	Fuel filter	L5	Crankshaft position sensor
57	Fuel accumulator	M3m1	Fuel pump 1
75	Fuel tank	M3m2	Fuel pump 2
76	Vent valve	N1/2	EZL ignition control unit
77	Activated charcoal filter	N3	KE control unit
78	Regeneration valve	N16	Engine systems control unit (MAS)
79	70/60°C thermo valve	R16	EZL resistance trimming plug
79/1	70/35°C thermo valve	R17	KE injection system resistance trimming plug
92	Injection valve	S16/1	Starter lockout and reversing light switch
123	Throttle valve body	S27/2	Decel fuel shutoff microswitch
125	Air pump	S29/2	Throttle valve switch, full load/idle speed recognition
126	Air shutoff valve	T1	Ignition coil
127	Non-return valve (injected air)	Y1	Electrohydraulic actuator
128	Non-return valve (vacuum)	Y6	Idle speed air valve
156	Exhaust manifold	Y8	Start valve
158	Catalytic converter	Y32	Air pump switchover valve
A1p8	Electronic speedometer	Y33	Air pump electromagnetic clutch
B2	Air flow sensor position indicator	c	Air admission
B11/2	Coolant temperature sensor (EZL/KE/2 E-E)		

### Note

Items G3/2, Y32, Y33, 125, 126, 127, 128, 158 not fitted to vehicles without KAT.



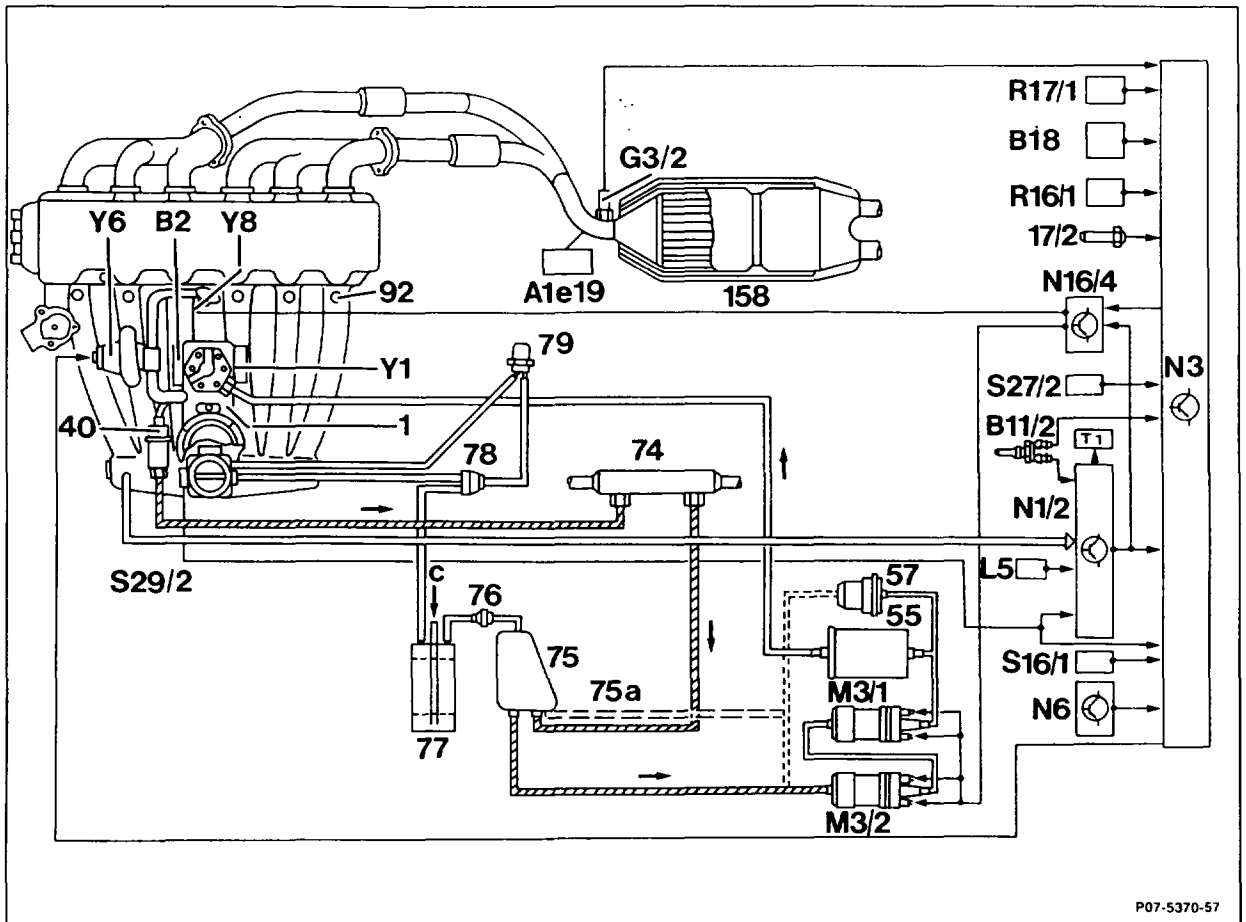
B. National version (AUS), (J), (USA) engine 103, model year 1986/87



P07-5369-57

- |       |  |       |  |
|-------|--|-------|--|
| 1     | Mixture control unit                                     | L5    | Crankshaft position sensor   |
| 40    | Diaphragm pressure regulator                             | M3    | Fuel pump  |
| 55    | Fuel filter  | N1/2  | E-ZL ignition control unit   |
| 57    | Fuel accumulator   | N3    | KE control unit  |
| 74    | Fuel cooler  | N6    | A/C compressor cutoff control unit   |
| 75    | Fuel tank  | N16/4 | Fuel pump relay with cold start valve actuation, kickdown and engine speed limiter |
| 75a   | Model 124 Station Wagon: rear line directly in fuel tank | R17/1 | KE reference resistor  |
| 76    | Vent valve   | S16/1 | Starter lockout and reversing light switch   |
| 77    | Activated charcoal filter                                | S27/2 | Decel fuel shutoff microswitch   |
| 78    | Regeneration valve                                       | S29/2 | Throttle valve switch, full load/idle speed recognition                            |
| 79    | 70°C thermovalve   | T1    | Ignition coil  |
| 92    | Injection valve  | Y1    | Electrohydraulic actuator  |
| 158   | Underflow catalytic converter                            | Y5/1  | A/C compressor electromagnetic clutch  |
| A1e19 | Catalytic converter overheating warning lamp             | Y6    | Idle speed air valve   |
| B2    | Air flow sensor position indicator                       | Y8    | Start valve  |
| B11/2 | Coolant temperature sensor (E-ZL/KE)                     | c     | Air admission  |
| B18   | Altitude sensor  |       |  |
| G3/2  | Heated oxygen sensor                                     |       |  |

# Engine 103, model year 1988/89



P07-5370-57

1	Mixture control unit	L5	Crankshaft position indicator
40	Diaphragm pressure regulator	M3m1	Fuel pump 1
55	Fuel filter	M3m2	Fuel pump 2
57	Fuel accumulator	N1/2	EZL ignition control unit
74	Fuel cooler	N3	KE control unit
75	Fuel tank	N6	A/C compressor cutoff control unit
75a	Model 124 Station Wagon: rear line directly in fuel tank	N16/4	Fuel pump relay with cold start valve actuation, kickdown and engine speed limiter
76	Vent valve	R17/1	KE reference resistor
77	Activated charcoal filter	S16/1	Starter lockout and reversing light switch
78	Regeneration valve	S27/2	Decel fuel shutoff microswitch
79	70°C thermovalve	S29/2	Throttle valve switch, full load/idle speed recognition
92	Injection valve	T1	Ignition coil
158	Underflow catalytic converter	Y1	Electrohydraulic actuator
A1e10	Oxygen sensor warning lamp (USA)	Y6	Idle speed air valve
A1e19	Catalytic converter overheating warning lamp (J)	Y8	Start valve
B2	Air flow sensor position indicator	c	Air admission
B6	Hall-effect road speed sensor		
B11/2	Coolant temperature sensor (EZL/KE)		
B17/2	Intake air temperature sensor		
B18	Altitude sensor		
G3/2	Heated oxygen sensor		