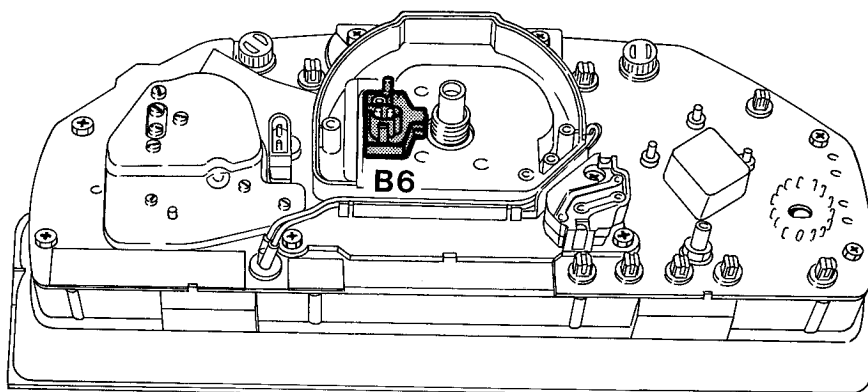


## 83-675 Removal and installation of Hall-sensor

---



1543-14705/1

- |   |                 |
|---|-----------------|
| Instrument cluster .....                    | Remove (54-250) |
| Rpm transmitter (B6) from speedometer ..... | Unscrew         |