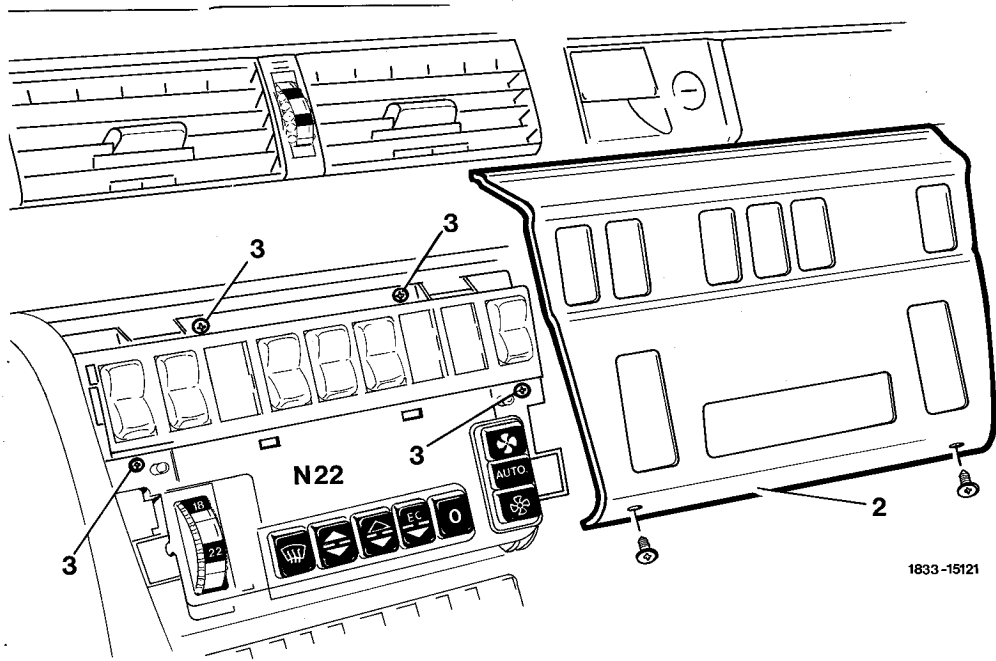


A. Removal and installation

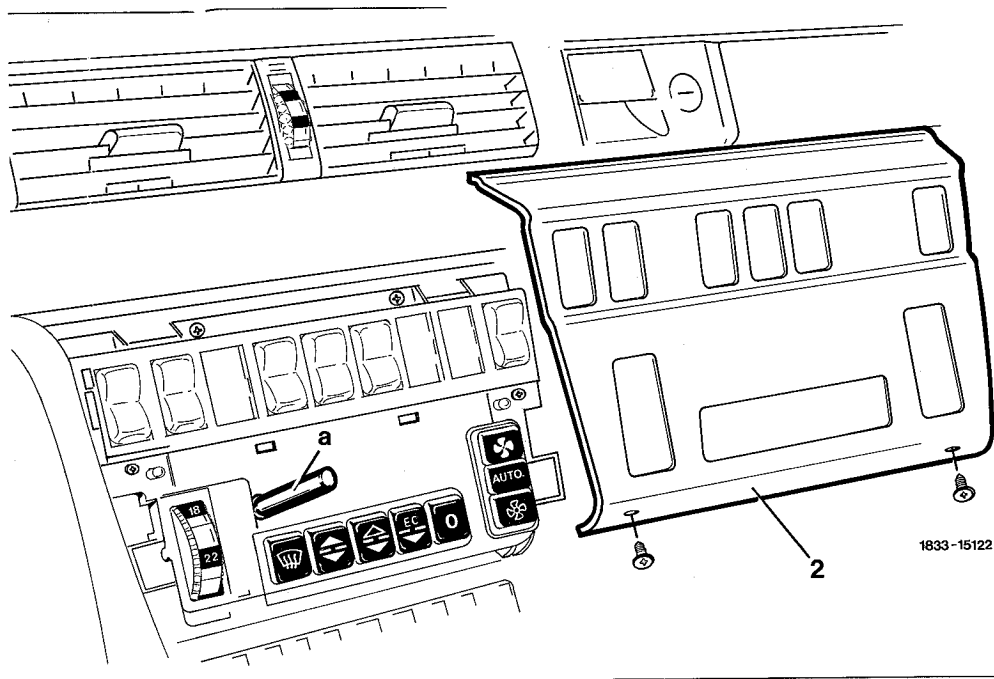


Cover (2)	Remove
Screws (3)	Unscrew
Control unit (N22)	Pull out and disconnect both couplings
In reverse order	Install

Installation instruction

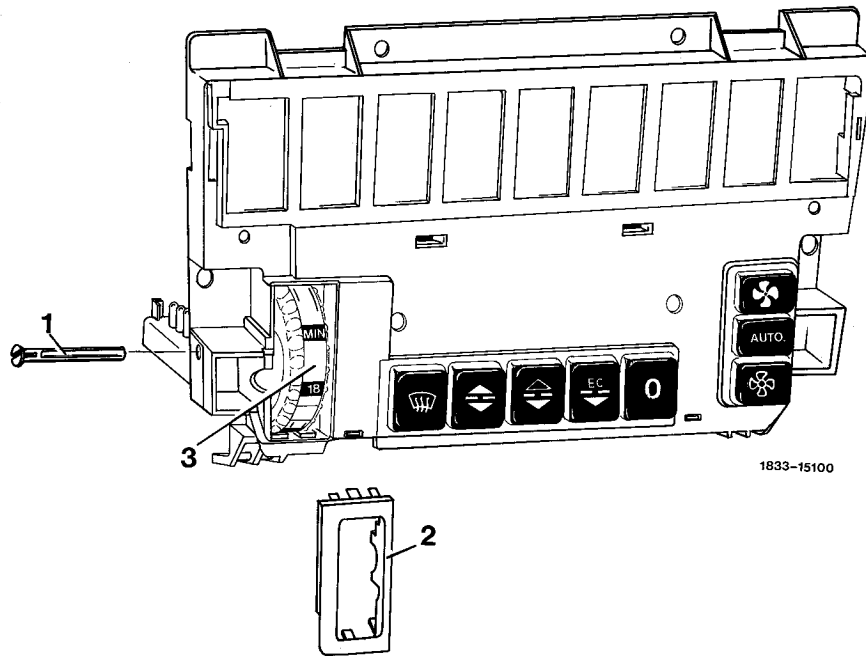
Before pressing on the two couplings, check all sleeves for proper contact, correct by bending if required.

B. Renewing lighting bulbs



Cover (2) remove
Put a piece of conduit (a, 5 mm dia.) over the bulb and pull out bulb

C. Removal and installation of temperature selector wheel (without potentiometer)



Control unit	Remove (see section A)
Temperature selector wheel (3)	Set between "MIN" and 18°C and pull out drive pin (1)
Frame (2)	Unclip in a forward direction
Install in reverse order	While inserting the temperature selector wheel (3) into the control unit in position "MIN" to 18°C