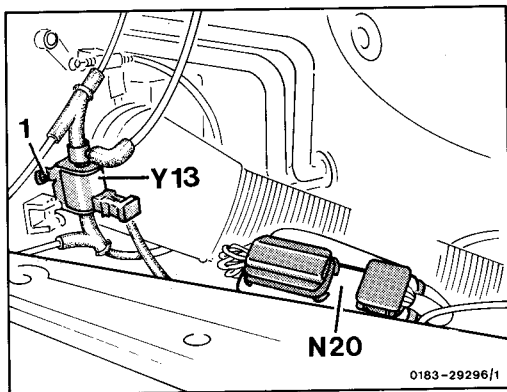


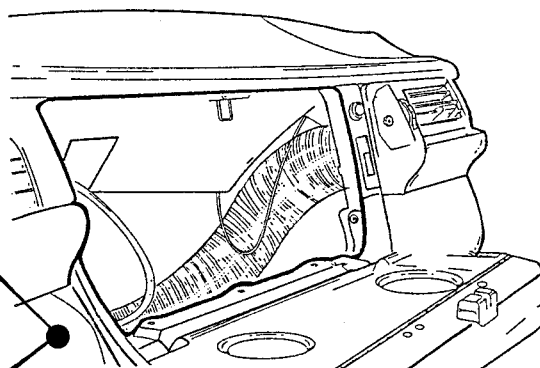
83-566 Removal and installation of switch-over valve (Y13/1) or 4-point valve block (Y11) for fresh air/recirculated air flap

Operation no. of operation texts and work units, standard texts and flat rates:
83-0595

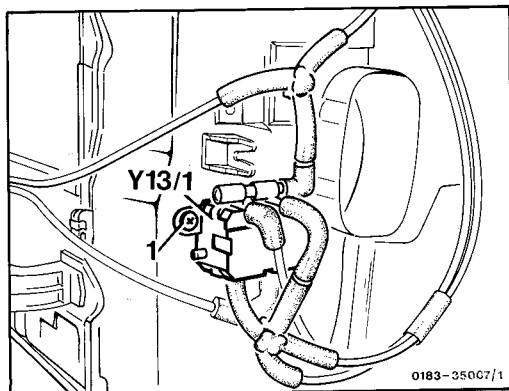
A. Up to 07/91



a



1834-16434

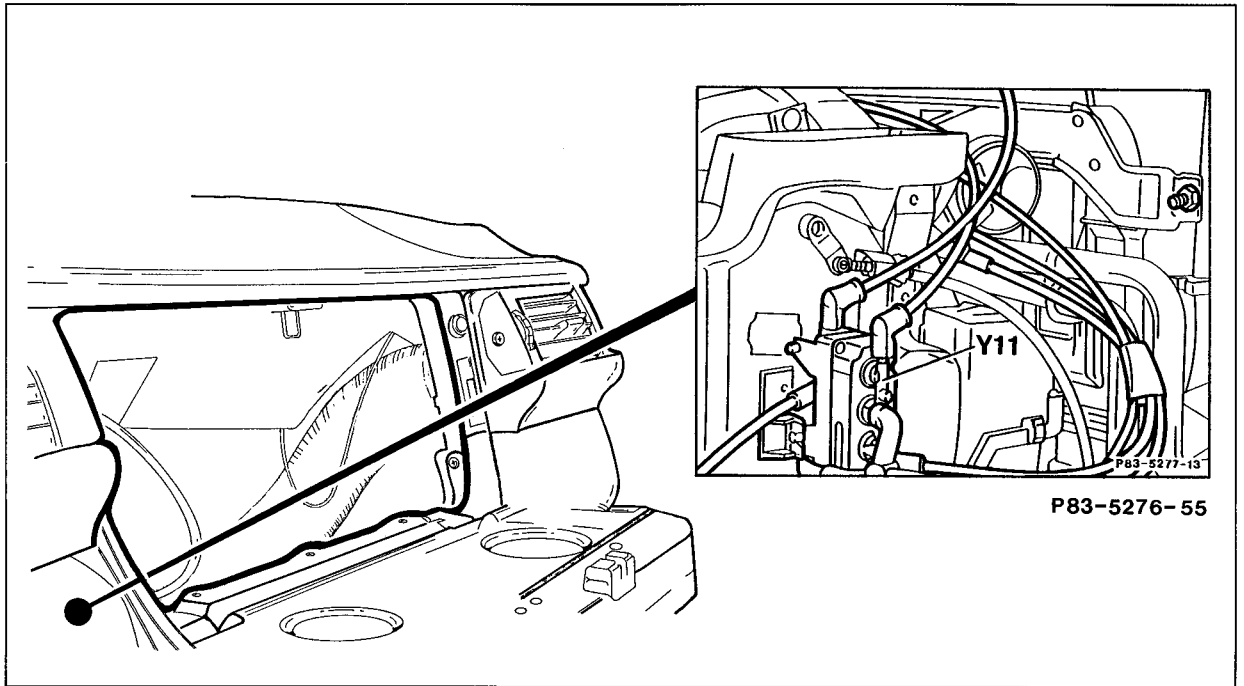


b

- a) Y13 Switch-over valve up to 08/87
- b) Y13/1 Switch-over valve connection block, 2 positions, as of 09/87

Glove box	remove.
Vacuum lines	disconnect.
2- or 3-pole connection.	disconnect.
Screw (1)	screw out.
Install in reverse sequence	observe colour code on vacuum lines (see vacuum function diagram 83-500, section "N").

B. As of 08/91



P83-5276-55

- | | |
|--|--|
| Glove box | remove. |
| Switch-over valve block (Y11) | unclip from heater box. |
| Vacuum lines and 6-pole connection | detach. |
| Install in reverse sequence | observe colour code on vacuum lines (see vacuum function schematic 83-500, section "O"). |