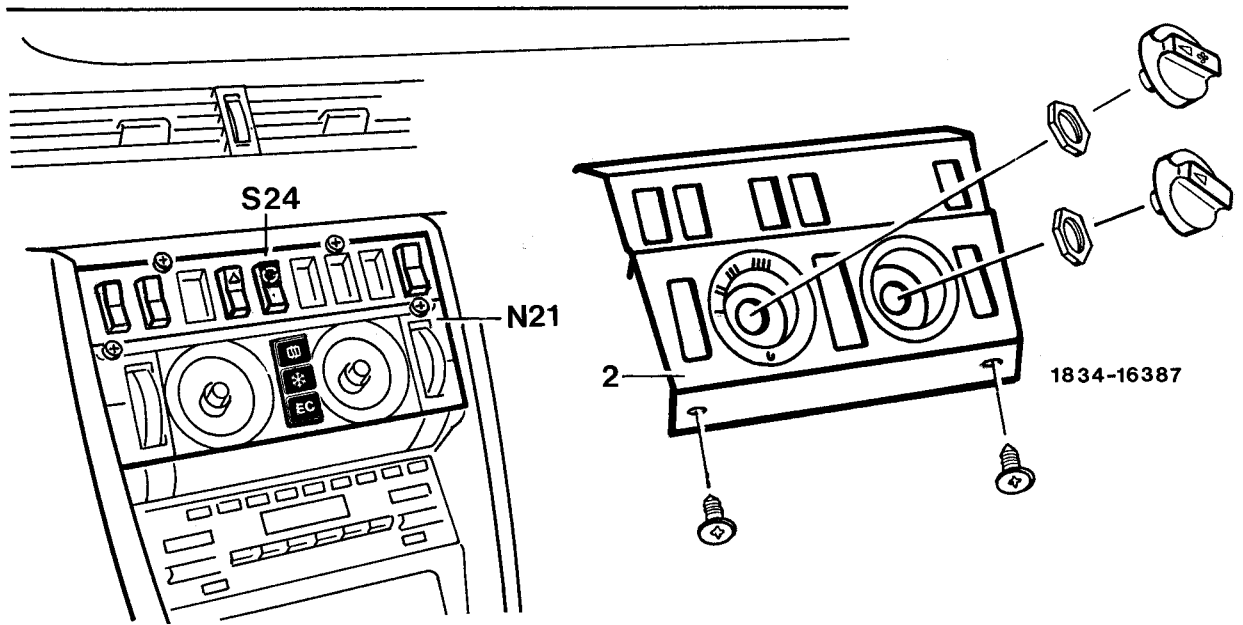


83-564 Testing, removal and installation of switch for fresh air/recirculated air (up to 08/87)

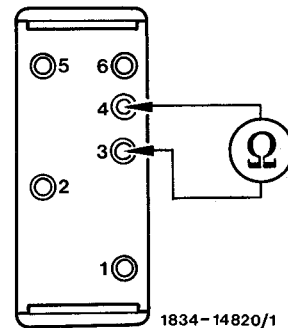
Operation no. of operation texts and work units or standard texts
and flat rates 83-0024



Cover (2)	remove.
Control panel (N21)	remove.
Switch for fresh air/recirculated air (S24)	disconnect, test.
In opposite order	reinstall.

Testing

- 1 Connect ohmmeter to terminals 3 and 4.

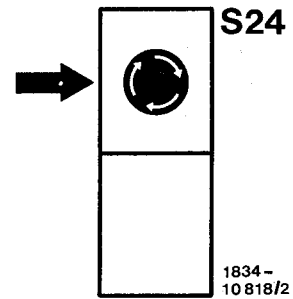


2 Switch on switch (S24) and hold down (arrow).

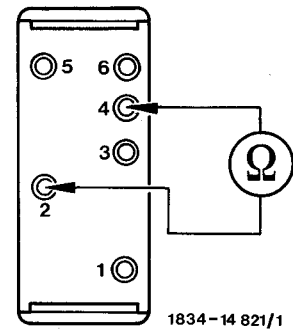
Specification: 0 - 1 Ω

3 Release switch (S24).

Specification: ∞



4 Then connect to terminals 2 and 4.



5 Switch off switch (S24) and hold down (arrow).

Specification: ∞

6 Release switch (S24).

Specification: 0 - 1 Ω

