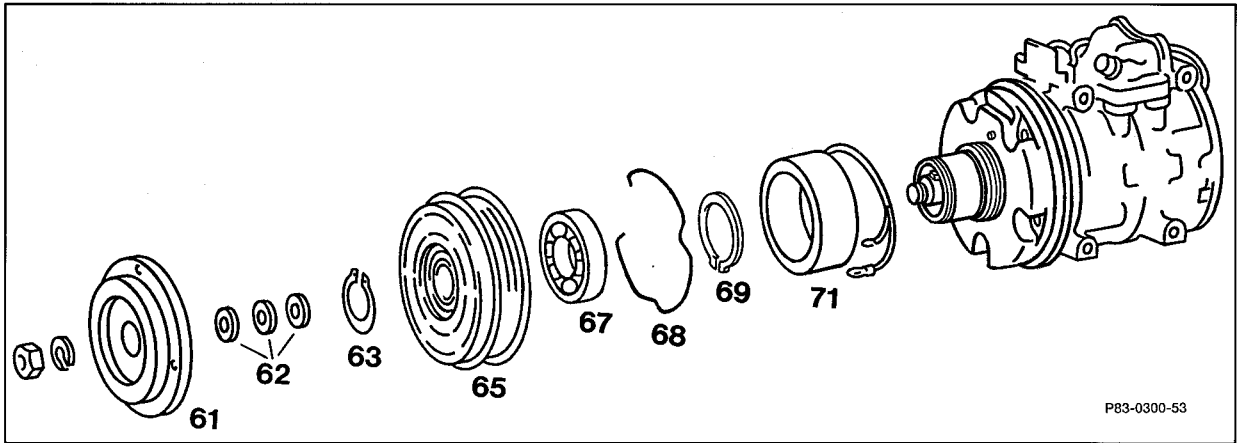


83-536 Removal and installation of electromagnetic clutch, removal, installation and checking of solenoid coil

Operation no. of operation texts and work units, standard texts and flat rates:

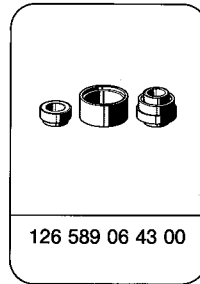
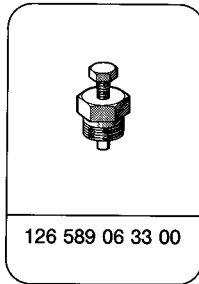
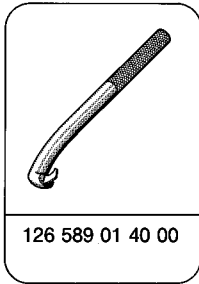
A. A/C compressor 10P15



P83-0300-53

Fan and fan cowl	remove/install.	
Poly-V-belt	remove/install (13-342).	
Spring plate (61)	remove with pin wrench 000 589 00 05 00 and puller 126 589 06 33 00, check gap: 0.5 ± 0.15 , correct with shims (62). Tighten to 16 ± 1.0 Nm.	
Snap ring (63)	remove, install with snap ring pliers (outside).	
V-belt pulley (65)	knock on/off with plastic hammer, clean friction surface.	
Roller bearing (67)	replace if required, removing and installing snap ring (68) and pressing out/in with special tool 126 589 06 43 00.	
Snap ring (69)	remove, install.	
Solenoid coil (71)	remove, install, opening, closing, and checking plug housing on A/C compressor.	
	Specification	
	approx. hot	3.75 A,
	approx. cold	4.20 A.

Special tools



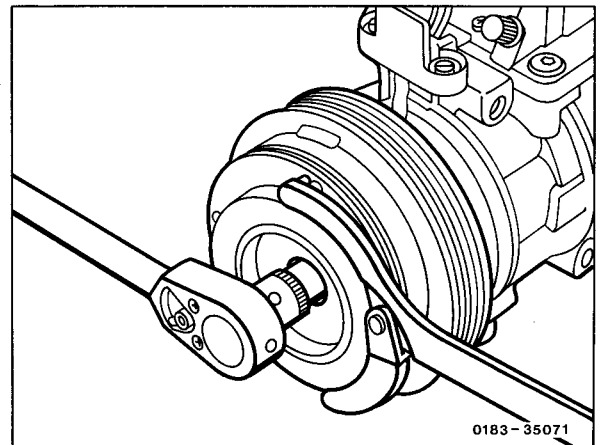
Self-made tool

Bearing mandril (rotating part), not required for installation with toggle press.

Removal and installation of spring plate

Removal

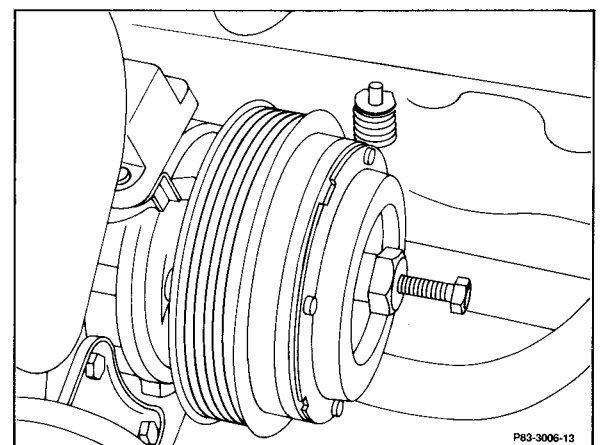
- 1 Remove fan and fan cowl.
- 2 Release tension on poly-V-belt and remove.
- 3 Hold spring plate with pin wrench and loosen nut.



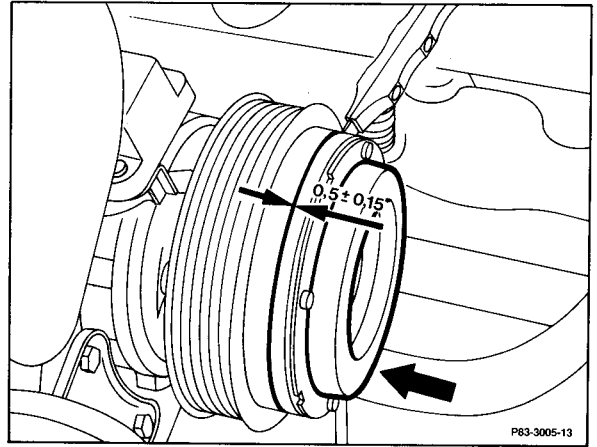
- 4 Screw puller into spring plate and pull spring plate.

Installation

- 5 Mount spring plate on compressor shaft.



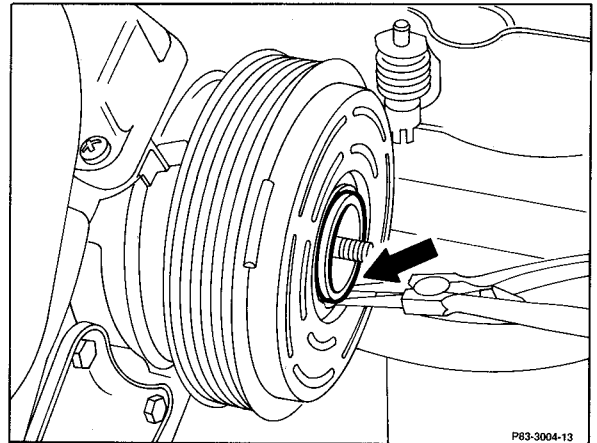
- 6 Check gap with valve gauge and correct with shims if required.
- 7 Install poly-V-belt and tension.
- 8 Install fan cowl and fan.
- 9 Check air-conditioner for proper function (83-508).



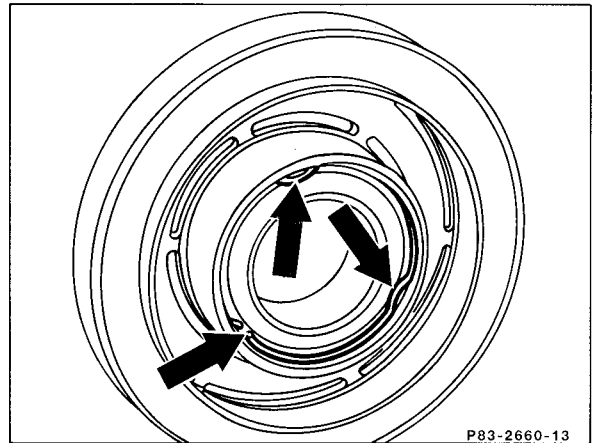
Removal and installation of V-belt pulley

Removal

- 1 Remove spring plate.
- 2 Remove snap ring for V-belt pulley (arrow) and knock off V-belt pulley with plastic hammer.



- 3 Replace bearing if required. Remove retaining ring from bearing (arrow).

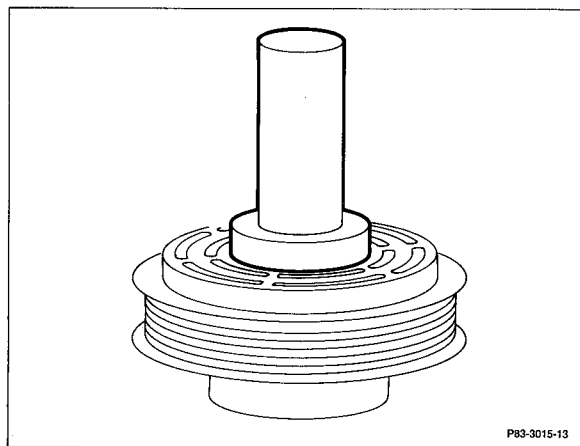


- 4 Press out bearing with special tool (arrow).
- 5 Press in new bearing with special tools.
- 6 Install in reverse order



If the same pulley is reinstalled, clean the friction surface on the pulley. If the friction surface is damaged (e.g. due to overheating), replace pulley together with spring plate.

- 7 Check airconditioner for proper function (83-507).



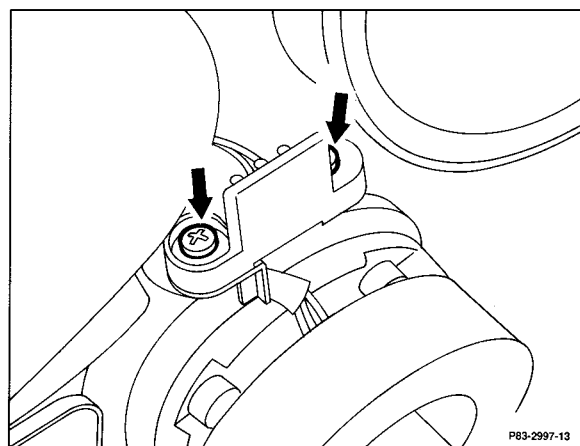
Removal and installation of solenoid coil

Data

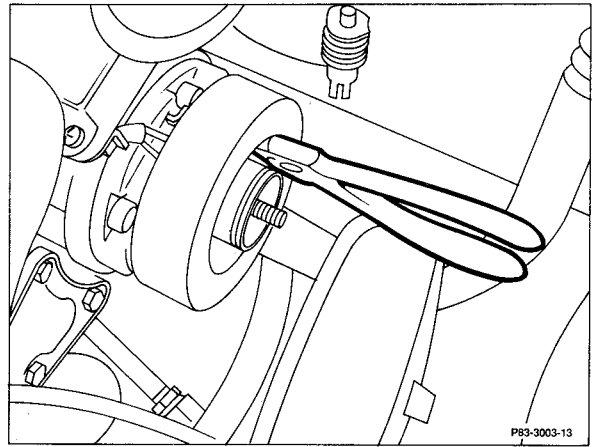
Specification approx.	hot	3.75 A
	cold	4.20 A

Removal

- 1 On vehicles with 6-cylinder engines remove A/C compressor (83-530).
- 2 Remove spring plate and V-belt pulley.
- 3 Pull plug on A/C compressor.
- 4 Unscrew both screws (arrow) on plug housing, open plug housing and remove lead (blue).
- 5 Disconnect ground cable for magnetic coil from A/C compressor.



6 Remove snap ring on magnetic coil and remove coil.



7 Reinstall in reverse order.

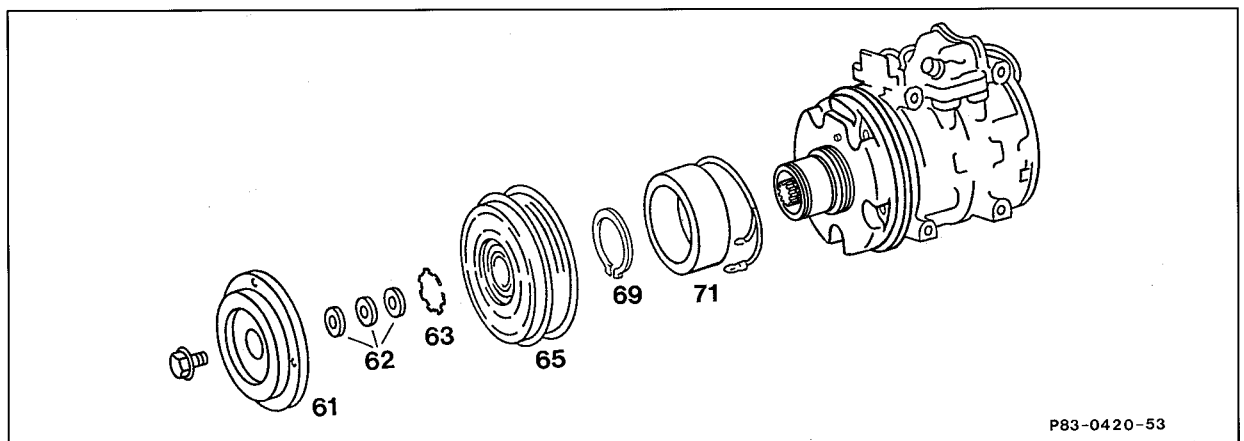


The solenoid coil must be positioned on the locating pin and the conical surface of the snap ring must point toward the outside.



8 On vehicles with 6-cylinder engine reinstall A/C compressor (83-507).

9 Check airconditioner for proper function (83-507).

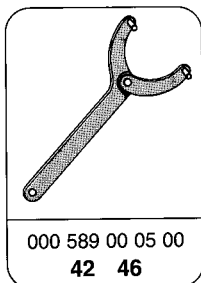
B. A/C compressor 10PA15 and 10PA17



Fan and fan hub	remove, install.
V-belt	remove, install (13-342).

Spring plate (61)	remove using pin wrench 000 589 00 05 00 and puller 126 589 06 33 00. Check clearance dimension 0.5 ± 0.15 , correct with shims (62). Tighten to 16 ± 1.0 Nm.
Snap ring	remove, install with snap ring pliers (outside).
V-belt pulley (65)	knock off/on with plastic hammer.
	
	If the same pulley is reinstalled, clean the friction surface on the pulley. If the friction surface is damaged (e.g. due to overheating), replace pulley together with spring plate.
Snap ring (69)	remove, install.
Solenoid coil (71)	remove, install, opening/closing plug housing on A/C compressor. Disconnect negative cable of solenoid coil from A/C compressor.
	
	The solenoid coil must be positioned on the locating pin and the conical surface of the snap ring must point outwards.
Solenoid coil	check. Nominal value approx.
	hot 3,75 A
	cold 4,20 A
Air conditioner	check operation.

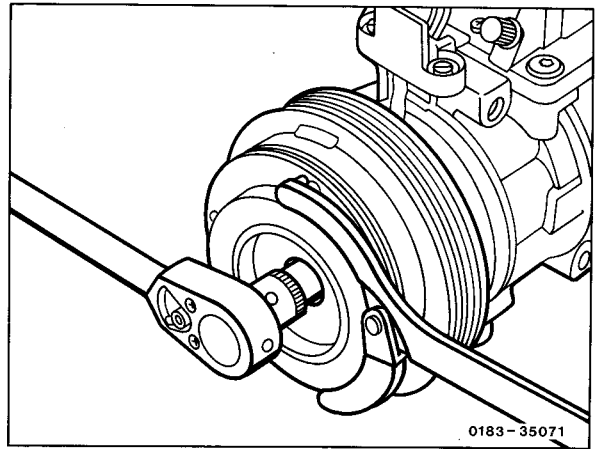
Special tool



Removal and installation of spring plate

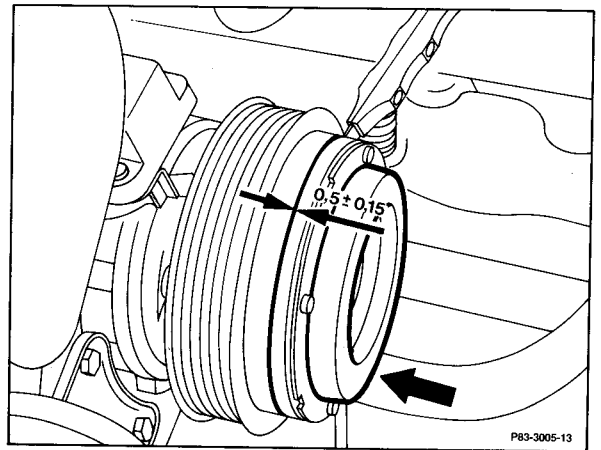
Removal

- 1 Remove fan and fan hub.
- 2 Release tension on V-belt and remove.
- 3 Using the pin wrench, hold spring plate and slacken screw.
- 4 Remove spring plate.



Installation

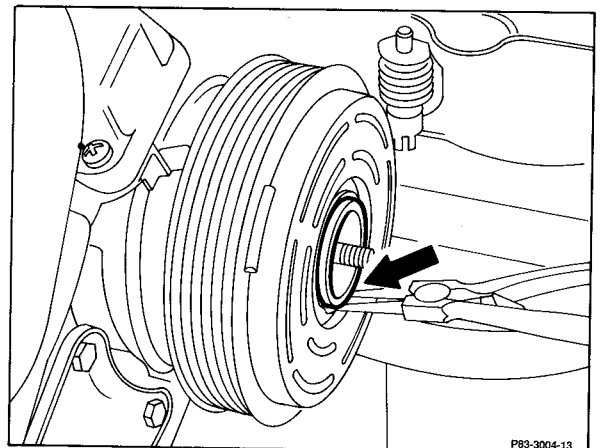
- 5 Mount spring plate on compressor shaft and tighten nut to 16 ± 1.0 Nm.
- 6 Check clearance dimension with valve gauge or correct with spacer.
- 7 Fit V-belt and tension.
- 8 Install fan hub and fan.
- 9 Check operation of air conditioner (83-508).



Removal and installation of V-belt pulley

Removal

- 1 Remove spring plate.
- 2 Remove snap ring from V-belt pulley (arrow) and knock V-belt pulley downwards with plastic hammer.
- 3 Install in reverse sequence.





If the same pulley is reinstalled, clean the friction surface on the pulley. If the friction surface is damaged (e.g. due to overheating), replace pulley together with spring plate.

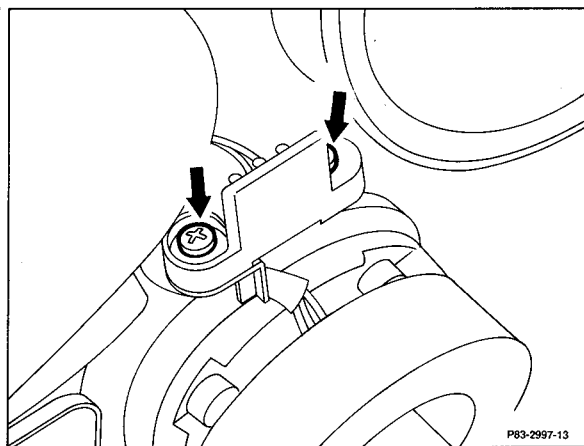
Removal and installation of solenoid coil

Data

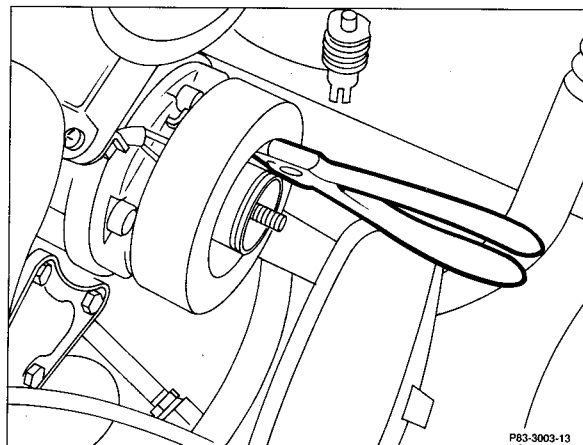
Specification approx.	hot	3.75 A
	cold	4.20 A

Removal

- 1 On vehicles with 6-cylinder engines, remove A/C compressor (83-530).
- 2 Remove spring plate and V-belt pulley.
- 3 Detach plug from A/C compressor.
- 4 Unscrew both screws (arrows) from plug housing, open plug housing and remove line (blue).
- 5 Disconnect ground cable of solenoid coil from A/C compressor.



6 Remove snap ring from solenoid coil and remove coil.



7 Install in reverse sequence.



The solenoid coil must be positioned on the locating pin and the conical surface of the snap ring must point outwards.

8 On vehicles with 6-cylinder engines, remove A/C compressor (83-530).

9 Check operation of air conditioner (83-507)