



### Installation instructions

## Oddments box on driver's seat

86.3

Model 124

The oddments box is fastened to the seat cushion of the left-hand driver's seat with a mounting bracket.

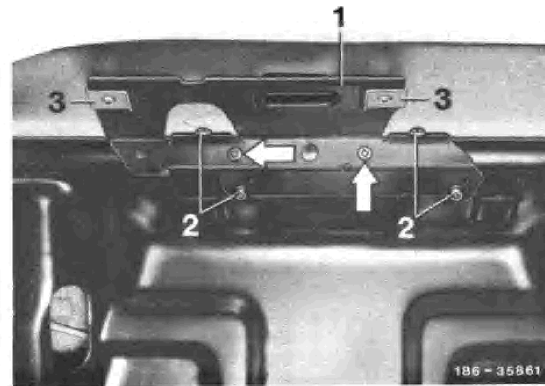
The installation instructions are subdivided into the following sections:

- A. Scope of work without fire-extinguisher
- B. Scope of work with fire-extinguisher
- C. How-to-order note

#### A. Scope of work without fire-extinguisher

##### 1 Remove driver's seat

2 Screw mounting bracket onto driver's seat cushion frame. The two mounting holes (arrows) on the driver's seat cushion frame are present as a standard feature. Drill the other 3.2 mm dia. mounting holes using the holes present in the mounting bracket as a template.

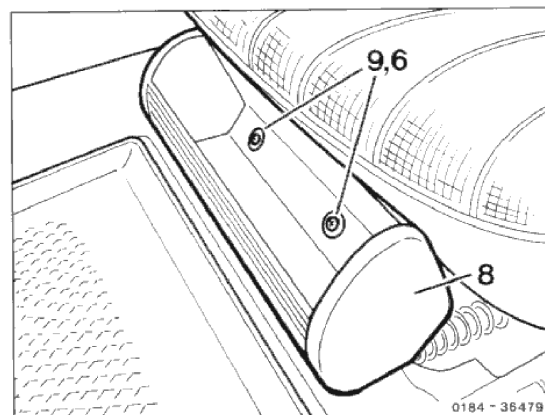


##### 3 Install clip nuts on mounting bracket.

- 1 Mounting bracket
- 2 Screw B 4.2 x 13
- 3 Clip nuts

##### 4 Screw oddment box onto mounting bracket.

##### 5 Reinstall driver's seat.



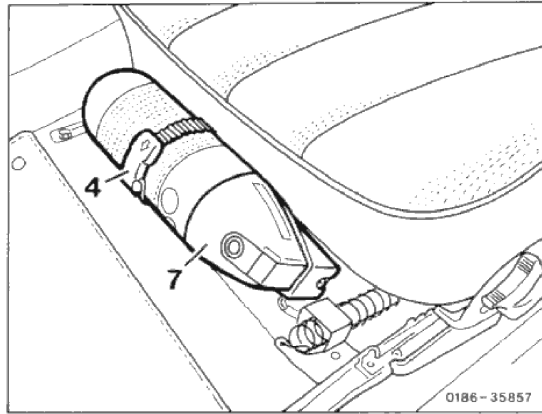
- 6 Countersunk sheet metal screw
- 8 Oddments box
- 9 Screw BZ 4.8 x 13



### B. Scope of work with fire-extinguisher

- 1 Remove driver's and passenger's seats.
- 2 Remove fire-extinguisher on driver's seat with holder and mounting bracket.

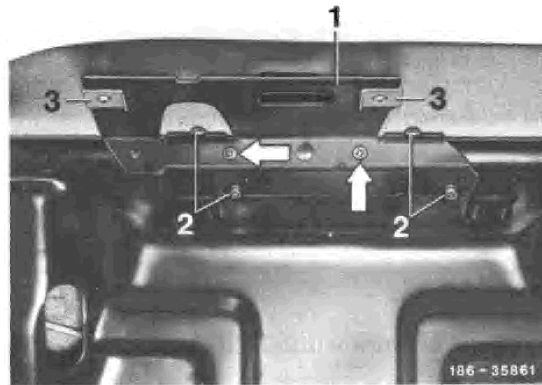
- 4 Holder
- 7 Fire-extinguisher



- 3 Screw mounting bracket for oddments box onto driver's seat cushion frame in place of mounting bracket for fire-extinguisher.

- 4 Install clip nuts on mounting bracket.

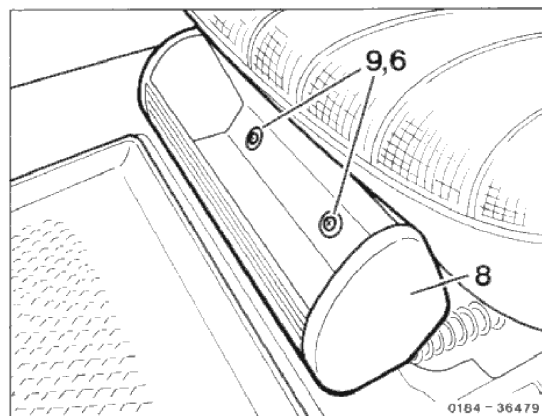
- 1 Mounting bracket
- 2 Screw B 4.2 x 15
- 3 Clip nuts



- 5 Screw oddments box onto mounting bracket.

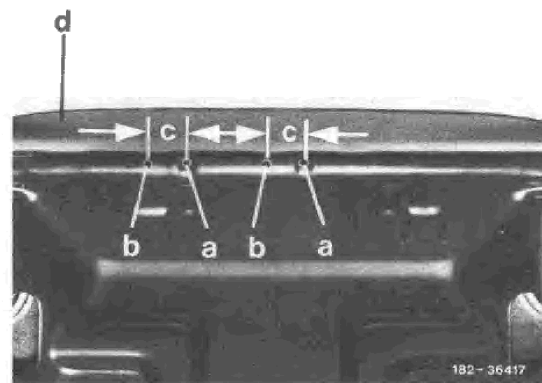
- 6 Reinstall driver's seat.

- 6 Countersunk sheet metal screws.
- 8 Oddments box
- 9 Screw BZ 4.8 x 13



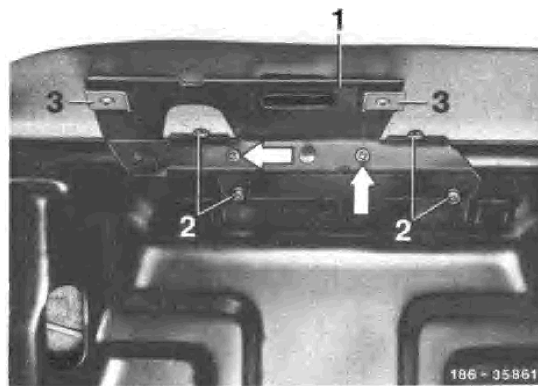
- 7 Drill 3.2 mm dia. holes in passenger's seat for fire-extinguisher mounting bracket. Use mounting bracket as template.

- a present hole
- b new hole
- c = 25 mm
- d seat cushion frame



8 Screw mounting bracket on at new holes with 2 sheet metal screws B 4.2 x 13 (arrow) then drill remaining 3.2 mm dia. mounting holes and screw mounting bracket on with sheet metal screws B 4.2 x 13.

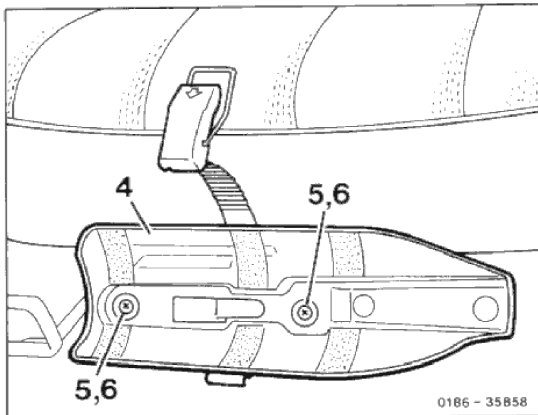
9 Install clip nuts on mounting bracket.



- 1 Mounting bracket
- 2 Screw B 4.2 x 13
- 3 Clip nuts

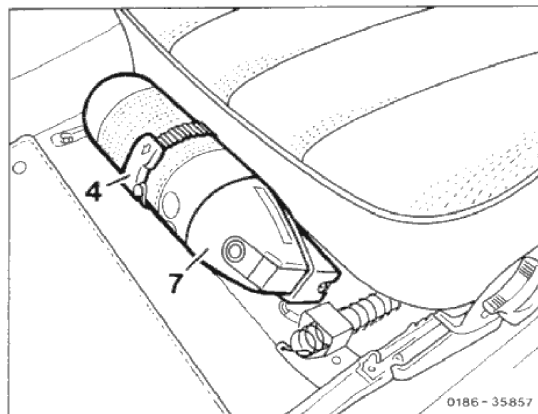
10 Screw fire-extinguisher holder onto mounting bracket.

11 Reinstall passenger's seat.



- 4 Holder
- 5 Screw B 4.8 x 16
- 6 Countersunk sheet metal screw

12 Mount fire-extinguisher in holder.



- 4 Clip on holder
- 7 Fire-extinguisher

C. How-to-order note

Take the parts required for installation from the following spare parts data:

Oddments box and mounting hardware

SA 56.152

Available from: Plant 50 (PEW Sindelfingen)

