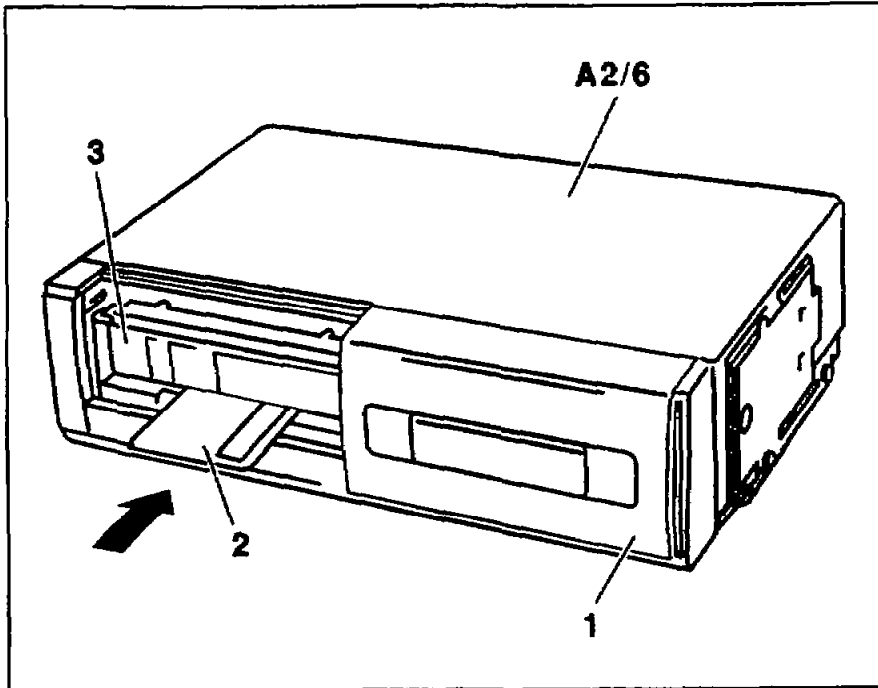


82-7606 Mechanically releasing and removing magazine (CD player with changer for six CDs)

Operation no. of operation texts and work units
or standard texts and flat rates:



P82-6400-35

End cap (1)	open.
Credit card (2) or item with similar shape	insert between magazine compartment (3) and CD player with changer (A2/6) until resistance is felt.
Catch	release with slight pressure.

Note

The magazine eject mechanism is activated automatically and the magazine pushed out.

Magazine compartment (3)	remove.
Power supply	interrupt momentarily (e.g. disconnect plug connection on CD player with changer or remove fuse).
Magazine compartment (3)	press in.
End cap (1)	close.
Function test	perform.