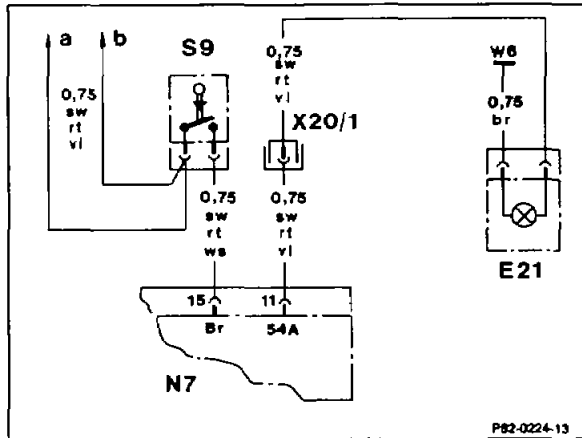
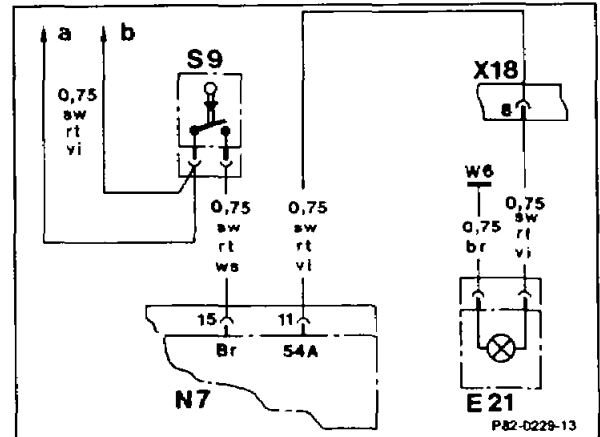


82-5375 Function of center high-mounted stop lamp **AUS**, **USA**, New Zealand

Operation no. of operation texts and work units or standard texts and flat rates:



Up to model year 1987



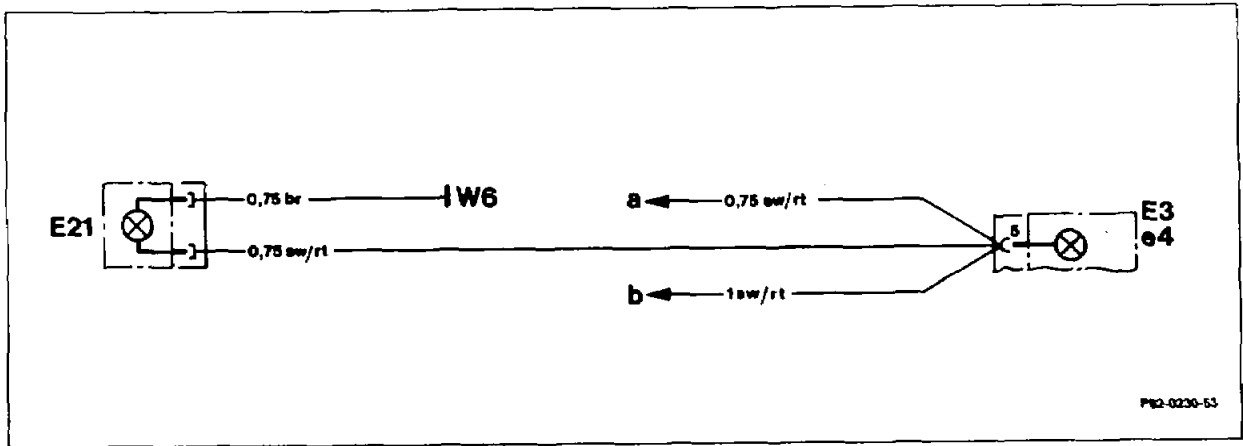
As of model year 1988

Wiring diagram of center high-mounted stop lamp **USA**

E21	Center high-mounted stop lamp	a	To fuse and relay box F1, fuse 5, terminal 15
N7	Exterior lamp failure monitoring unit	b	To Hall sensor, road speed B6
S9	Stop lamp switch		
X18	Plug connection, interior/taillamp wiring harness (8-pin)		
X20/1	Plug connection, center high-mounted stop lamp		

Function **USA**

The center high-mounted stop lamp is operated in parallel to the stop lamps and contact is created via the plug connection (X18 or X20/1) at the exterior lamp failure monitoring unit.



Wiring diagram of center high-mounted stop lamp (AUS)

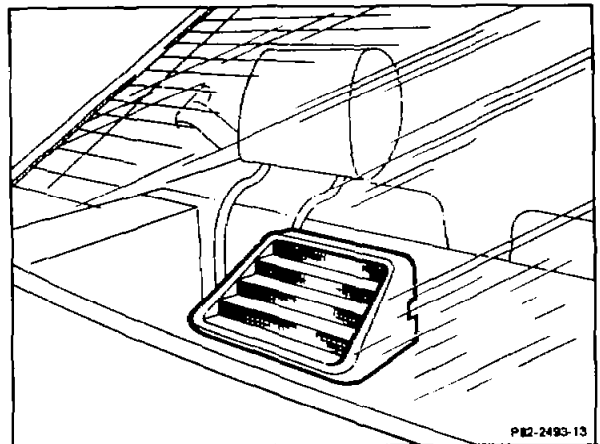
E3	Left taillamp	W6	Ground, left wheelhouse in trunk
E3e4	Stop lamp	a	To right taillamp, stop lamp
E21	Center high-mounted stop lamp	b	To stop lamp switch

Function (AUS), New Zealand

The center high-mounted stop lamp makes contact at the stop lamp switch (S9) and is monitored by the exterior lamp failure monitoring unit (N7).

The center high-mounted stop lamp is positioned at the rear screen.

Sedan



Station Wagon

