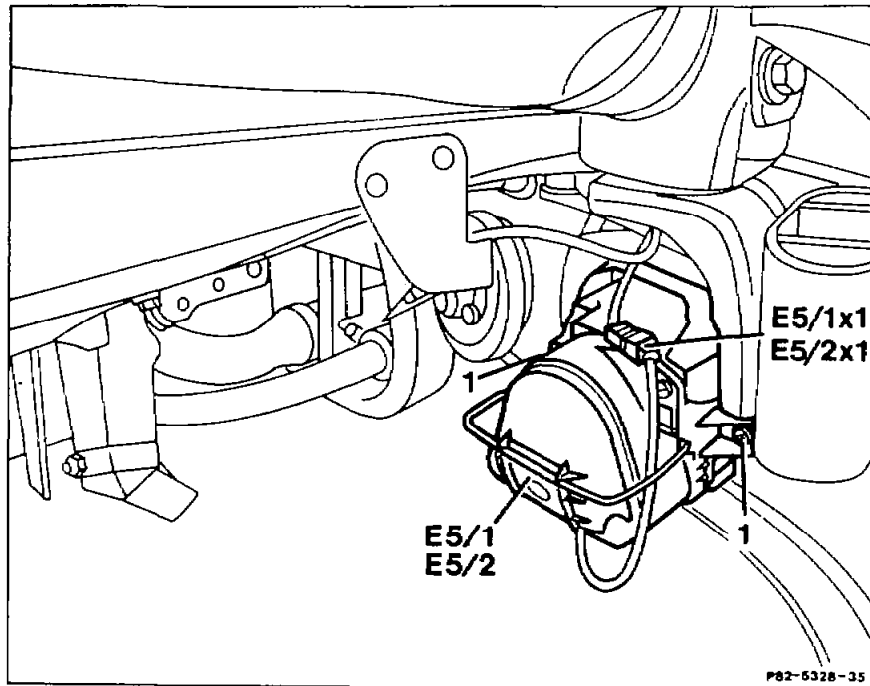


82-5103 Removing and installing fog lamp (model 124.036)

Operation no. of operation texts and work units or standard texts
and flat rates:
82-5101, 82-5102, 82-5103



Cover in wheelhouse	remove, install.
Plug connection (E5/1x1 or E5/2x1)	separate, plug together.
Securing screws (1)	unscrew, screw in.
Fog lamp (E5/1 or E5/2)	remove, insert.