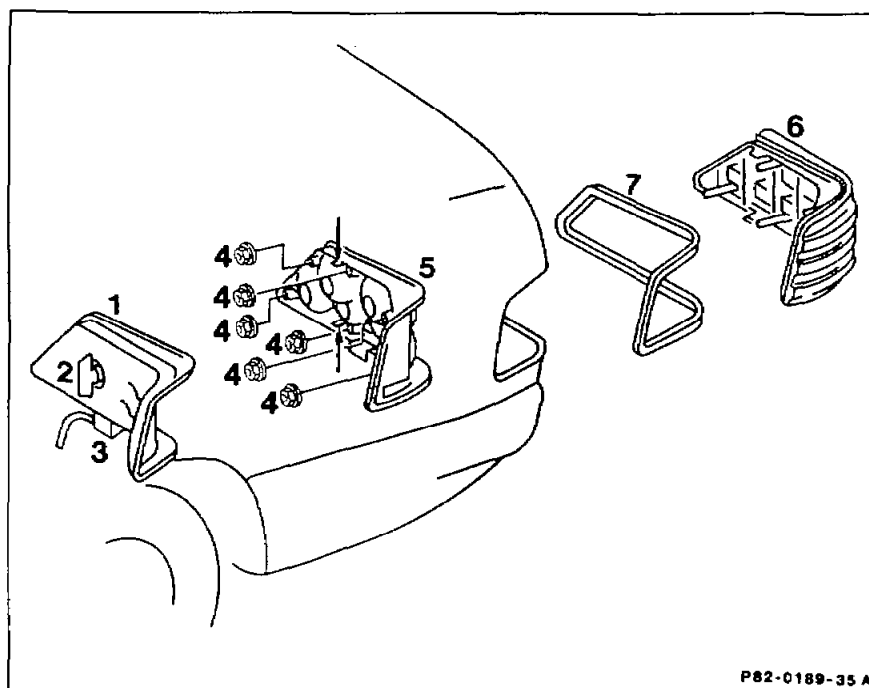


## 82-4905 Removing and Installing taillamp

Operation no. of operation texts and work units or standard texts and flat rates:  
82-4901, 82-4903, 82-4905

### A. Sedan, coupe and convertible



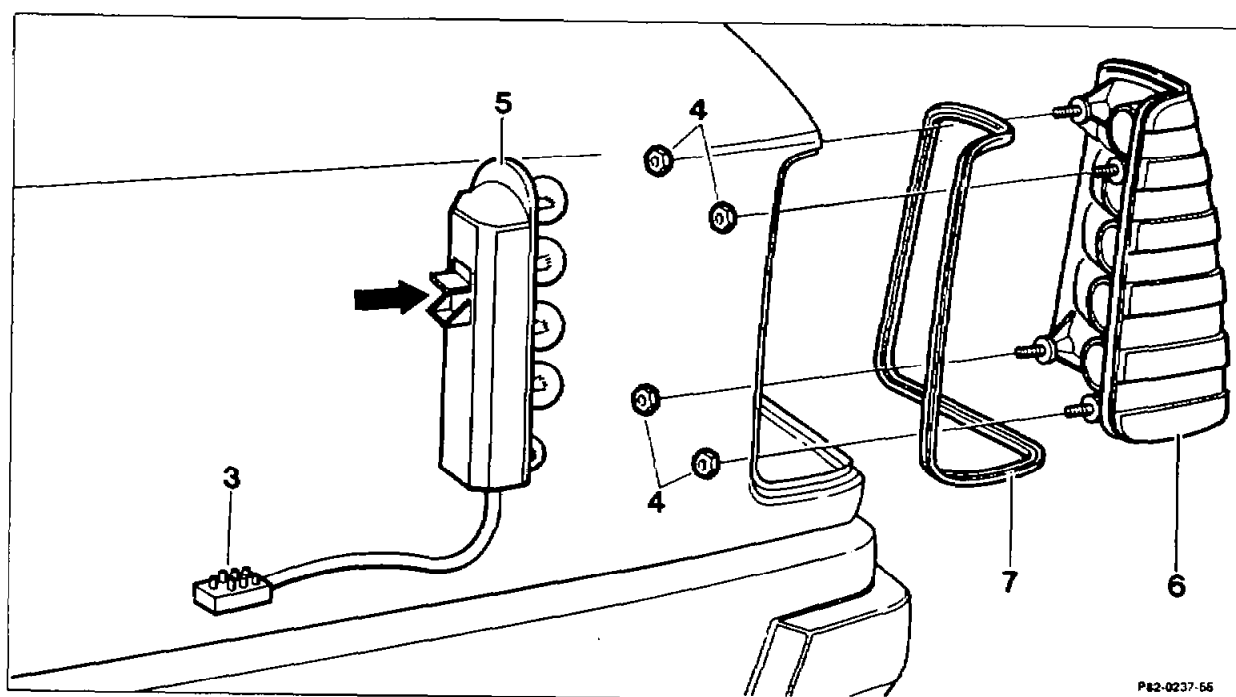
P82-0189-35 A

Electrical connection (3) .....	unplug, plug in.
Twist lock (2) .....	open, close.
Lamp carrier (1) .....	remove, fit on.
Hexagon nuts (4) .....	unscrew, screw on.
Lens (6) .....	remove outward, insert.

#### Note

Reflector (5) .....	Ensure rubber seal (7) is correctly inserted. unclip, clip in place (arrow).
---------------------	---

## B. Station wagon



- |                                 |                                |
|---------------------------------|--------------------------------|
| Electrical connection (3) ..... | unplug, plug in.               |
| Reflector (5) .....             | unclip, clip in place (arrow). |
| Hexagon nuts (4) .....          | unscrew, screw on.             |
| Lens (6) .....                  | remove, insert.                |

### Note

Ensure rubber seal (7) is correctly inserted.