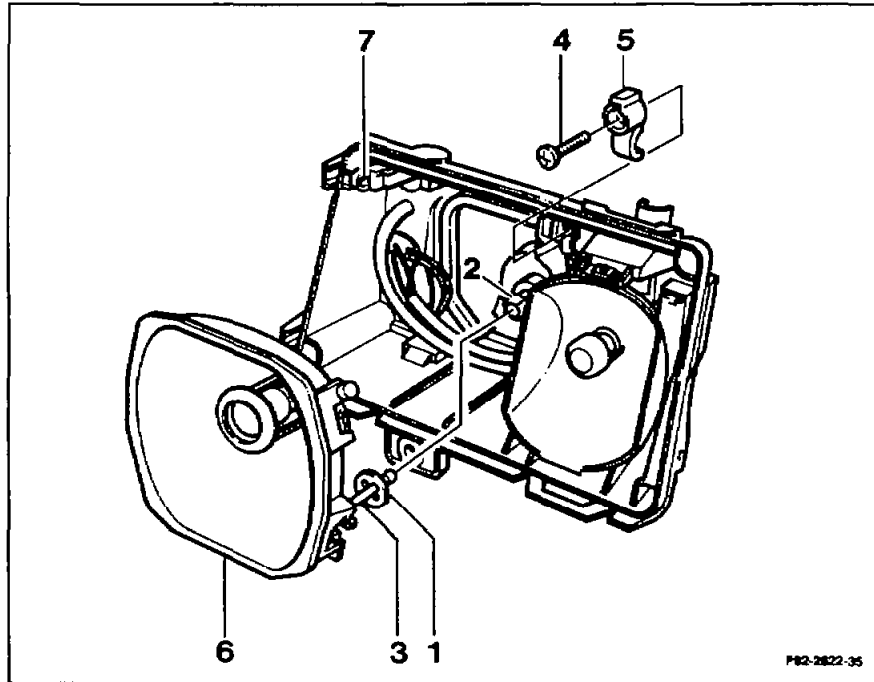


82-2850 Removing and installing headlamp reflector

Preceding work:
 Headlamp unit removed (82-4730).
 Lens of headlamp unit removed (82-1820).
 Bulbs removed (82-1201).

Operation no. of operation texts and work units or standard texts
 and flat rates:
 82-1850, 82-2830, 82-2840, 82-2990, 82-3000, 82-3010.



Red securing clip (1)	push back, fit on.
Headlamp range control adjusting element (2) . . .	release by turning to the left, secure by turning to the right.
Tie rod (3) of headlamp range control	detach from headlamp range control adjusting element (2), attach.
Phillips screw (4)	unscrew, screw in.
Holder (5)	take off, fit on.
Reflector (6)	remove from mounting (7), replace.
After installing headlamp unit	adjust lighting (82-1130).