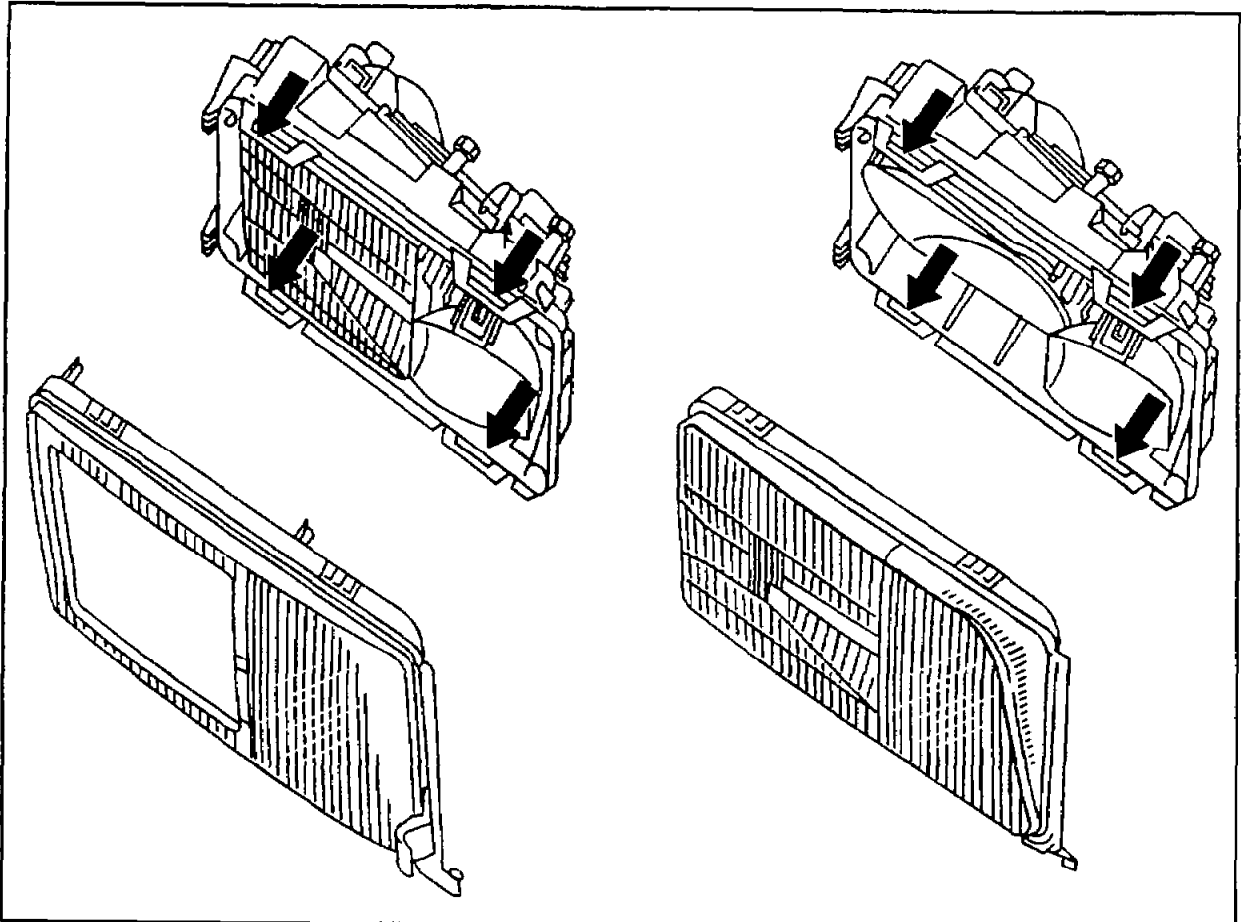


82-1820 Removing and installing lens of headlamp unit


Preceding work:
Headlamp unit removed (82-4730).


Operation no. of operation texts and work units or standard texts
and flat rates:
82-1720, 82-1770, 82-1820

 and standard version



P82-8395-57

 version up to model year 93

 version as of model year 94 and standard
version

Retaining clips (arrow) unclip, clip in place.

Lens take off, fit on.

Note

The retaining clips must be heard to engage when assembling.

Note

The lens forms a unit with the surround.