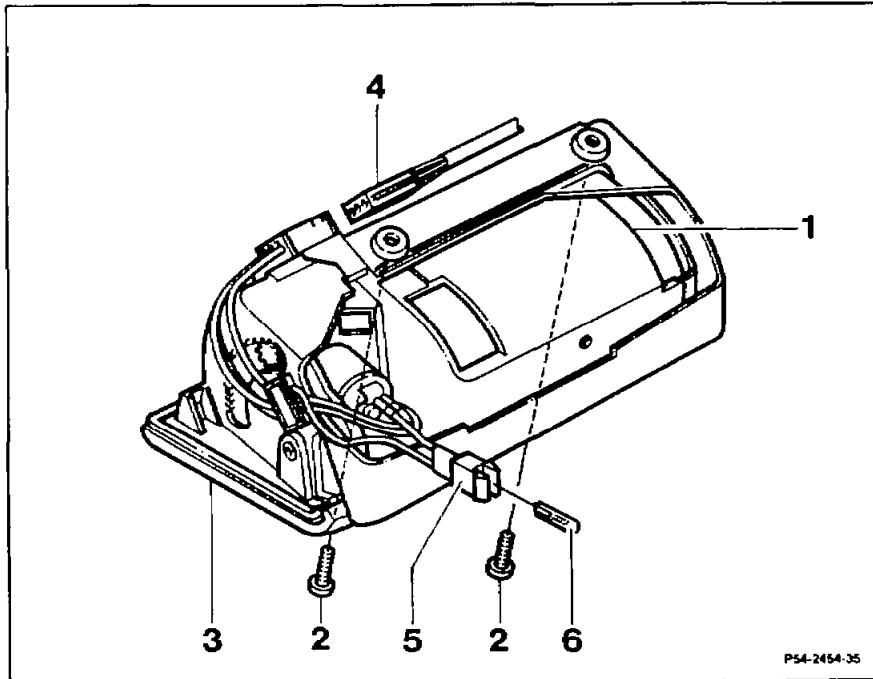


## 82-1285 Removing and Installing bulb for ashtray illumination

Operation no. of operation texts and work units or standard texts and flat rates:



Insert ..... remove from ashtray (1), install.

1st version:

Press insert slightly into ashtray and release.

2nd version:

Push lever in front of cigar lighter in direction of arrow.

Screws (2) .....	unscrew, screw in.
Ashtray (3) .....	remove, insert.
Electrical connection (4) .....	unplug, plug in.
Socket (5) with bulb (6) .....	remove, insert.
Bulb (6) .....	remove from socket, insert.