

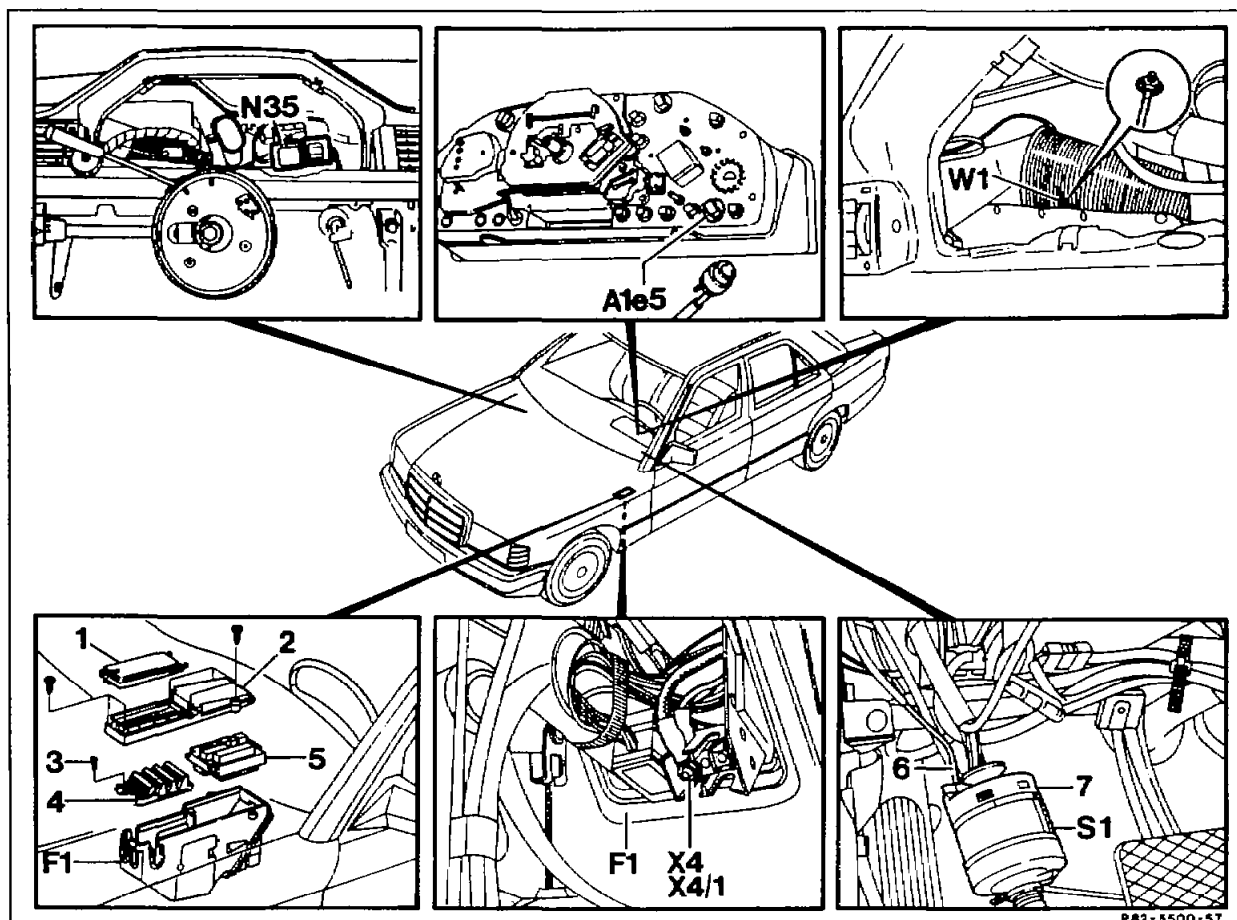
## 82-0071 Retrofitting daytime driving lamp control

CDN IS N S

Preceding work:  
 Exterior lamp switch removed (54-3250).  
 Instrument cluster removed (54-6015).  
 Remove covers on left below instrument panel (68-150).

Operation no. of operation texts and work units or standard texts  
 and flat rates:

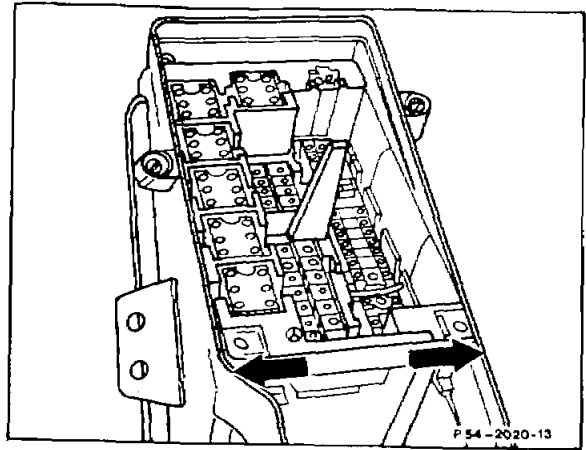
### A. Iceland, Norway, Sweden version



Covers (1 and 2) of fuse and relay box (F1) . . . . .	remove, install (54-1255, step 1).
Phillips screw (3) . . . . .	unscrew, screw in.
Fuse carrier (4) . . . . .	raise, place back in position (step 2).
Fuse and relay box (F1) . . . . .	press apart, release relay holder (5) and raise (step 3).

Daytime driving lamp control unit (N35) . . . . .	screw onto holder behind instrument cluster (step 4).
<b>Note</b>	
If vehicle not fitted with holder, install holder.	
12-pin coupling of daytime driving lamp wiring harness (6) at daytime driving lamp control unit (N35) . . . . .	connect (step 5).
Ground cable (brown) at grounding point (W1) . . . . .	connect (step 6).
Bulb from base of alternator charge indicator/warning lamp in instrument cluster (A1e5) . . . . .	remove and insert into base of daytime driving lamp wiring harness (6) (step 7).
Base of daytime driving lamp wiring harness (6) . . . . .	insert into instrument cluster (A1e5).
Instrument cluster . . . . .	install (54-6015).
Daytime driving lamp wiring harness (6) . . . . .	run to fuse and relay box (F1) (step 8).
Cable (red) of daytime driving lamp wiring harness (6) . . . . .	connect to terminal block X4, X4/1, terminal 30 (step 9).
Remaining lacings of wiring harness in fuse and relay box (F1) . . . . .	connect (step 10).
Bridge between fuses 3 and 4 . . . . .	remove (step 11).
Cable (grey/violet) and cable (grey/green) of daytime driving lamp wiring harness (6) . . . . .	run to exterior lamp switch (S1) (step 12).
Contact jacks K and P30 in exterior lamp switch coupling (7) . . . . .	remove, insulate and tie back (step 13).
Contact jack of cable (grey/violet) . . . . .	press into terminal K (step 14).
Contact jack of cable (grey/green) . . . . .	press into terminal 57 (step 15).
Fuse and relay box (F1) . . . . .	assemble (step 16).
Function check . . . . .	perform (step 17).
Further installation is performed in the reverse order.	

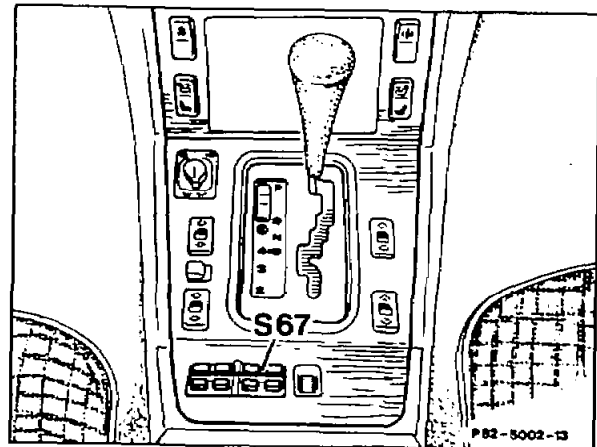
- 1 Remove both covers from fuse and relay box (54-1255).
- 2 Detach fuse carrier and raise.
- 3 Press apart fuse and relay box (arrows) and detach relay holder and raise.



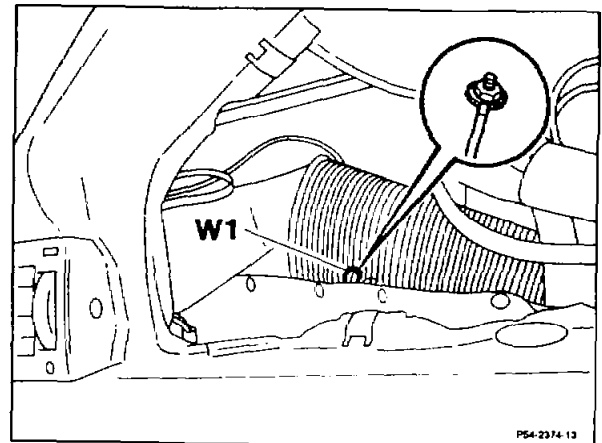
- 4 Screw daytime driving lamp control unit (N35) onto the holder behind the instrument cluster.

**Note**

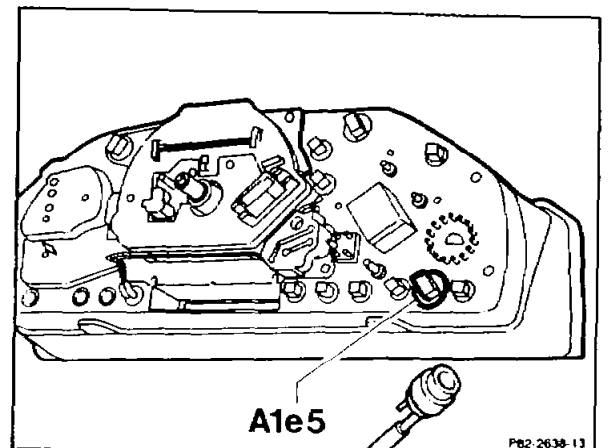
If vehicle not fitted with holder, install holder.



- 5 Plug 12-pin coupling of wiring harness into daytime driving lamp control unit (N35).
- 6 Connect ground cable (brown) to grounding point (W1).

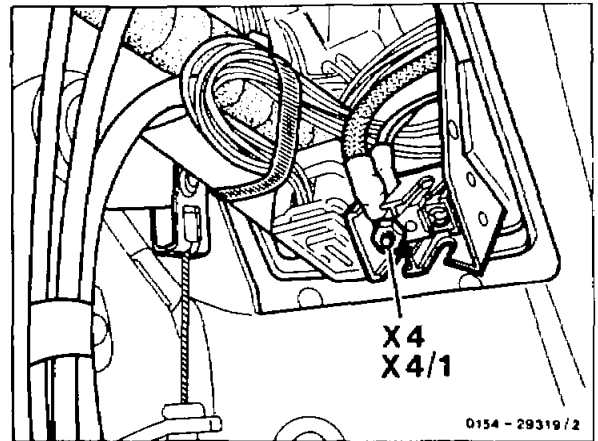


- 7 Withdraw base for alternator charge indicator/warning lamp (A1e5) at instrument cluster, remove bulb and insert into base of wiring harness. Then, insert base into instrument cluster.



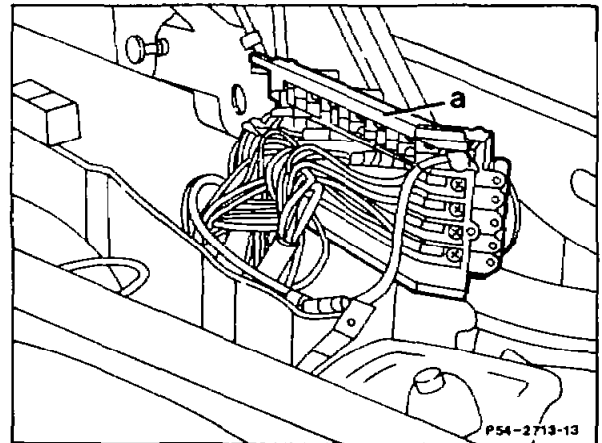
8 Run daytime driving lamp wiring harness to fuse and relay box.

9 Connect cable (red) to terminal block (X4 or X4/1), terminal 30.



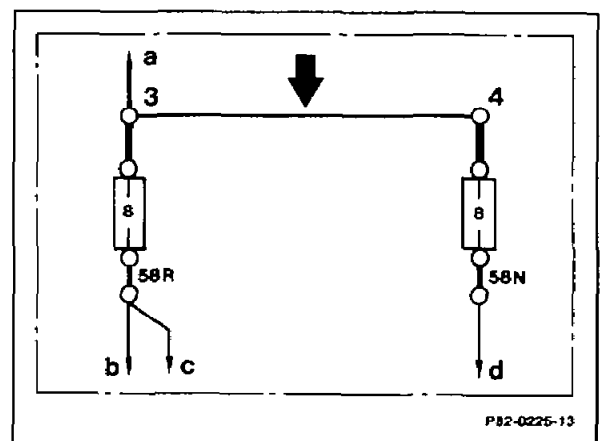
10 Connect cables to fuse and relay box.

- Black/red violet cable to fuse 5, output terminal 15
- Yellow cable to fuse 14, input terminal 56b
- Grey cable to fuse 3, output terminal 58R
- Grey cable to fuse 8, output terminal 58L
- Grey/green cable to fuse 4, input terminal 58N



11 Remove the bridge (arrow) between fuse 3, terminal 58R and fuse 4, terminal 58N.

- a To exterior lamp switch, terminal 58R
- b To exterior lamp switch, terminal K30
- c To exterior lamp failure monitoring unit, terminal 58R
- d To exterior lamp switch, terminal NSE

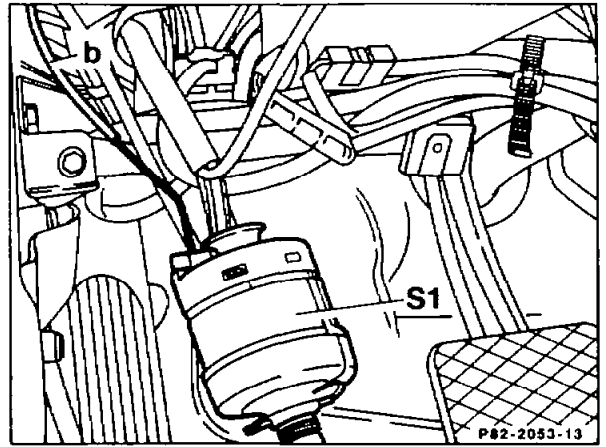


12 Run cable (grey/violet) and cable (grey/green) to exterior lamp switch (S1).

13 Remove contact jack K and P30 from exterior lamp switch coupling, insulate and tie back.

14 Press contact jack of cable (grey/violet) into terminal K.

15 Press contact jack of cable (grey/green) into terminal 57 of exterior lamp switch coupling.



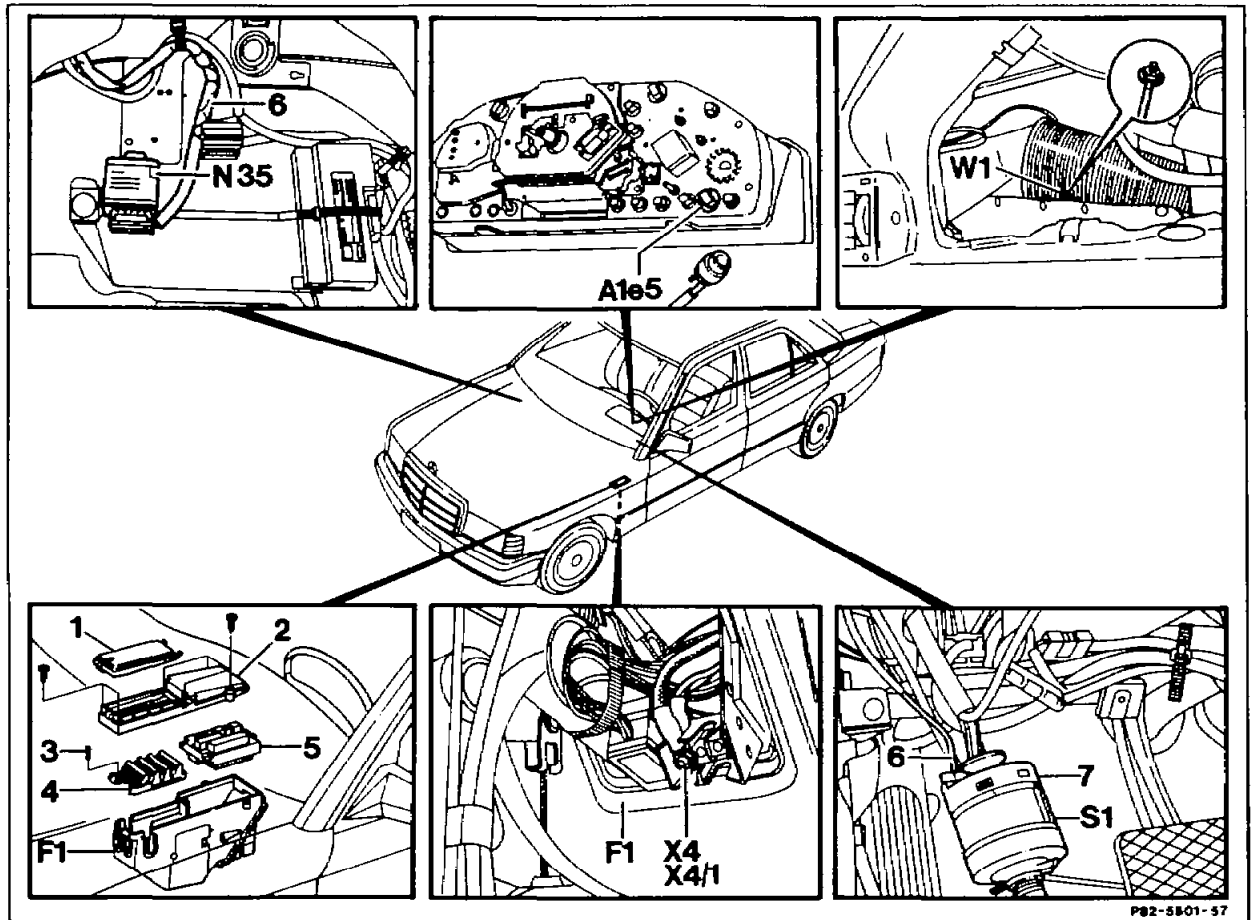
16 Attach relay holder and fuse carrier and fit on cover of fuse and relay box.

17 Start engine to check operation.

The following lamps must light up:  
parking lamp, tail lamp, low beam and license plate lamps.

18 Assemble the remaining parts in the reverse order.

## B. Canada version



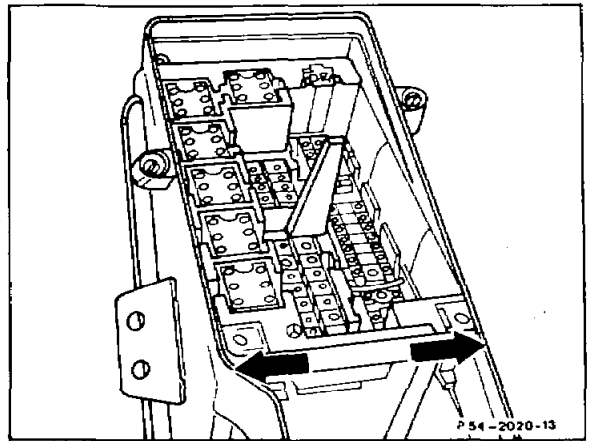
Right foot rest .....	remove, install.
Covers (1 and 2) of fuse and relay box (F1) .....	remove, install (54-1255, step 1).
Phillips screw (3) .....	unscrew, screw in.
Fuse carrier (4) .....	raise, place back in position (step 2).
Fuse and relay box (F1) .....	press apart, detach relay holder (5) and raise (step 3).
Daytime driving lamp control unit (N35) in right footwell .....	screw onto retaining plate (step 4).
	<b>Note</b>
	Hole is provided in retaining plate.
Daytime driving lamp wiring harness (6) .....	route (step 5).

12-pin coupling of daytime driving lamp wiring harness (6) at daytime driving lamp control unit (N35) . . . . .	plug in (step 6).
Ground cable (brown) and cable (blue) to instrument cluster opening . . . . .	run (step 7).
Ground cable (brown) to grounding point (W1) . . . . .	connect (step 8).
Bulb in base of alternator charge indicator/warning lamp in instrument cluster (A1e5) . . . . .	remove and insert into base of daytime driving lamp wiring harness (6) (step 9).
Base of daytime driving lamp wiring harness (6) . . . . .	insert into instrument cluster (A1e5).
Instrument cluster . . . . .	install (54–6015).
Daytime driving lamp wiring harness (6) to fuse and relay box (F1) . . . . .	run (step 11).
Cable (red) of daytime driving lamp wiring harness . . . . .	connect to terminal block (X4, X4/1), terminal 30 (step 12).
Wiring in fuse and relay box (F1) . . . . .	connect (step 13).
Cable (grey/violet) of daytime driving lamp wiring harness (6) to exterior light switch (S1) . . . . .	lay and press contact jack into free terminal K2 of exterior lamp switch coupling (step 14).
Fuse and relay box (F1) . . . . .	assemble.
Function check . . . . .	perform (step 16).
Assemble remaining parts in the reverse order.	

**Note**

Connection K2 must be fitted to exterior lamp switch; install new exterior lamp switch (S1) with connection K2 if necessary.

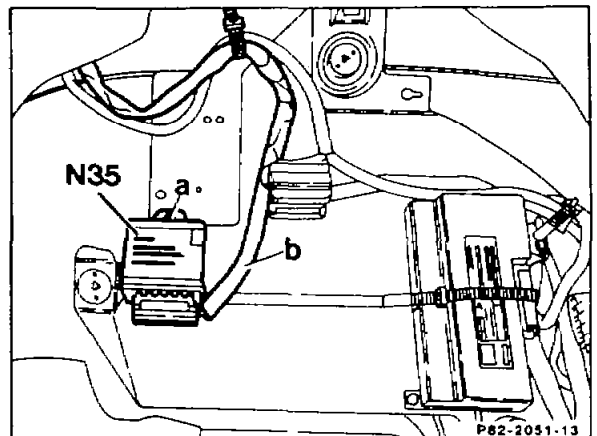
- 1 Remove both covers from fuse and relay box (54-1255).
- 2 Detach fuse carrier and raise.
- 3 Press apart fuse and relay box (arrows) and detach relay holder and raise.



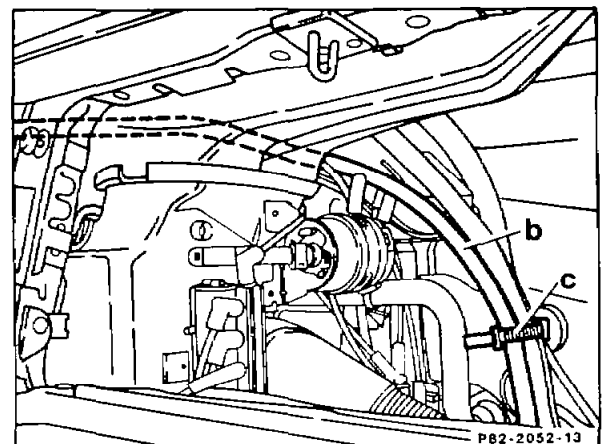
- 4 Screw daytime driving lamp control unit (N35) onto retaining plate in right footwell.

**Note**

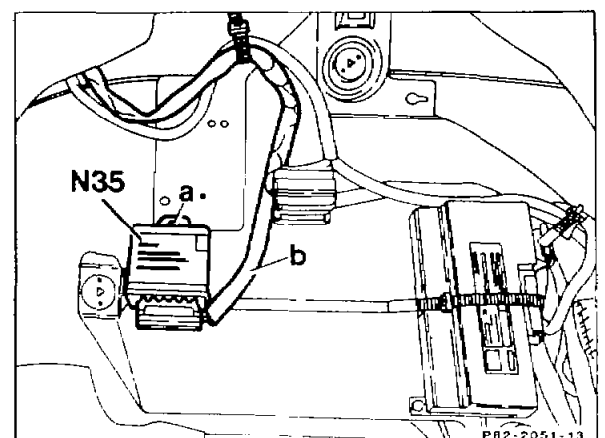
Hole is provided in retaining plate.



- 5 Lay daytime driving lamp wiring harness from right to left over heater box and secure with existing cable straps.



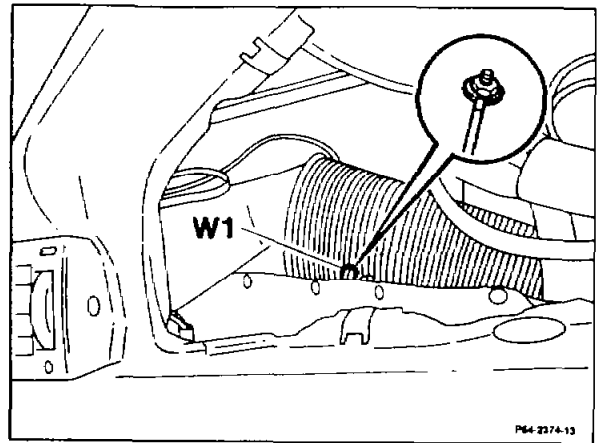
- 6 Connect 12-pin coupling of wiring harness to daytime driving lamp control unit (N35).





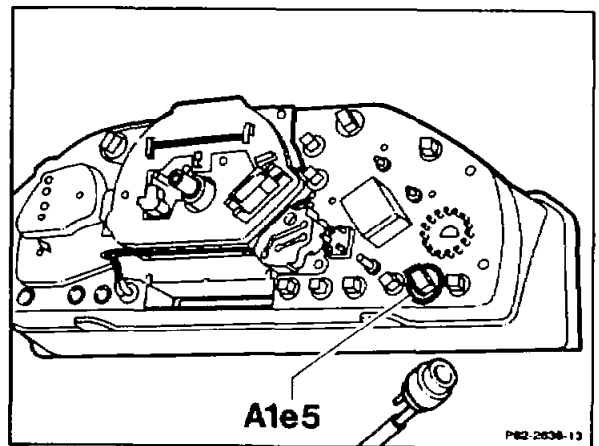
7 Lay ground cable (brown) and cable (blue) with lamp base to instrument cluster cutout.

8 Connect ground cable (brown) to grounding point ((W1).



9 Withdraw base for alternator charge indicator/warning lamp (A1e5) at instrument cluster. Remove bulb and insert into base of wiring harness. Then, insert base into instrument cluster.

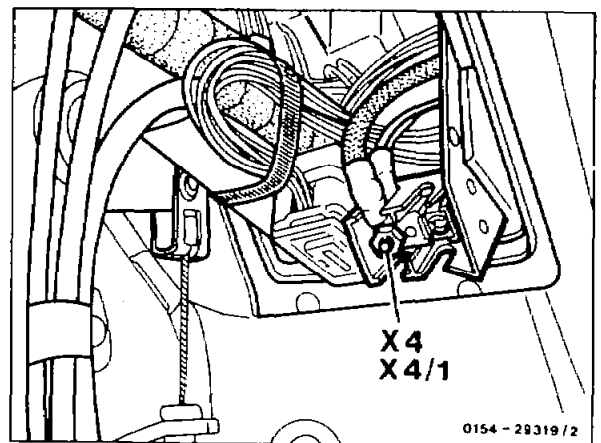
10 Install instrument cluster (54-6015).



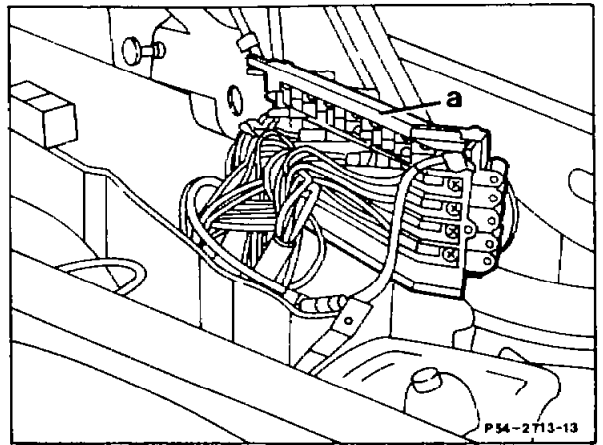
11 Lay remaining lacings of daytime driving lamp wiring harness to fuse and relay box.

12 Connect cable (red) to terminal block (X4 or X4/1), terminal 30.

13 Connect wiring to fuse and relay box.



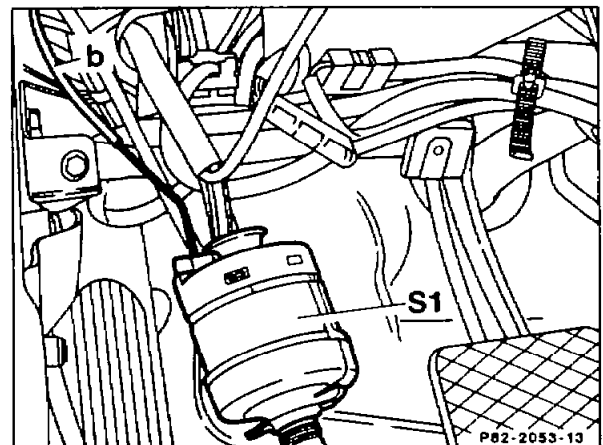
- Grey cable to fuse 3, input terminal 58R
- Grey/red cable to fuse 3, output terminal 58R
- Black/red violet cable to fuse 5, output terminal 15
- Grey/white cable to fuse 8, output terminal 58L
- Yellow cable to fuse 14, input terminal 56b
- White cable to fuse 15, input terminal 56a



14 Run cable (grey/violet) to exterior lamp switch (S1) and press contact jack into free terminal K2 of rotary lamp switch coupling.

**Note**

Exterior lamp switch must be fitted with connection K2; install new exterior lamp switch with connection K2, if necessary.



15 Attach relay holder and fuse carrier and fit on cover of fuse and relay box.

16 Start engine to check operation.

The following lamps must light up:  
tail lamp, low beam, license plate lamps,  
instrument lighting and marker lamps.

17 The remaining parts are assembled in the reverse order.